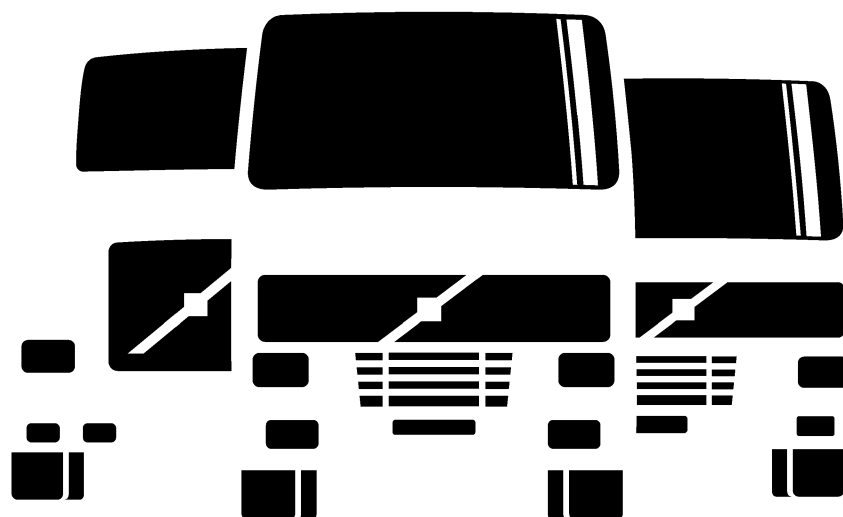


Service Manual Trucks

Group **37**
Electrical Schematic
Illustration Index
VN, VHD VERSION2, VT
From Build Date Nov. 2005



Foreword

The descriptions and service procedures contained in this manual are based on designs and methods studies carried out up to March 2006.

The products are under continuous development. Vehicles and components produced after the above date may therefore have different specifications and repair methods. When this is believed to have a significant bearing on this manual, supplementary service bulletins will be issued to cover the changes.

The new edition of this manual will update the changes.

In service procedures where the title incorporates an operation number, this is a reference to an V.S.T. (Volvo Standard Times).

Service procedures which do not include an operation number in the title are for general information and no reference is made to an V.S.T.

Each section of this manual contains specific safety information and warnings which must be reviewed before performing any procedure. If a printed copy of a procedure is made, be sure to also make a printed copy of the safety information and warnings that relate to that procedure. The following levels of observations, cautions and warnings are used in this Service Documentation:

Note: Indicates a procedure, practice, or condition that must be followed in order to have the vehicle or component function in the manner intended.

Caution: Indicates an unsafe practice where damage to the product could occur.

Warning: Indicates an unsafe practice where personal injury or severe damage to the product could occur.

Danger: Indicates an unsafe practice where serious personal injury or death could occur.

Volvo Trucks North America, Inc.
Greensboro, NC USA

Order number: 20047693

© 2006 Volvo Trucks North America, Inc., Greensboro, NC USA

All rights reserved. No part of this publication may be reproduced, stored in retrieval system, or transmitted in any forms by any means, electronic, mechanical, photocopying, recording or otherwise, without the prior written permission of Volvo Trucks North America, Inc..

USA19665.ihval

Contents

Illustrations	3
Illustrations Index	3

Illustrations

Illustrations Index

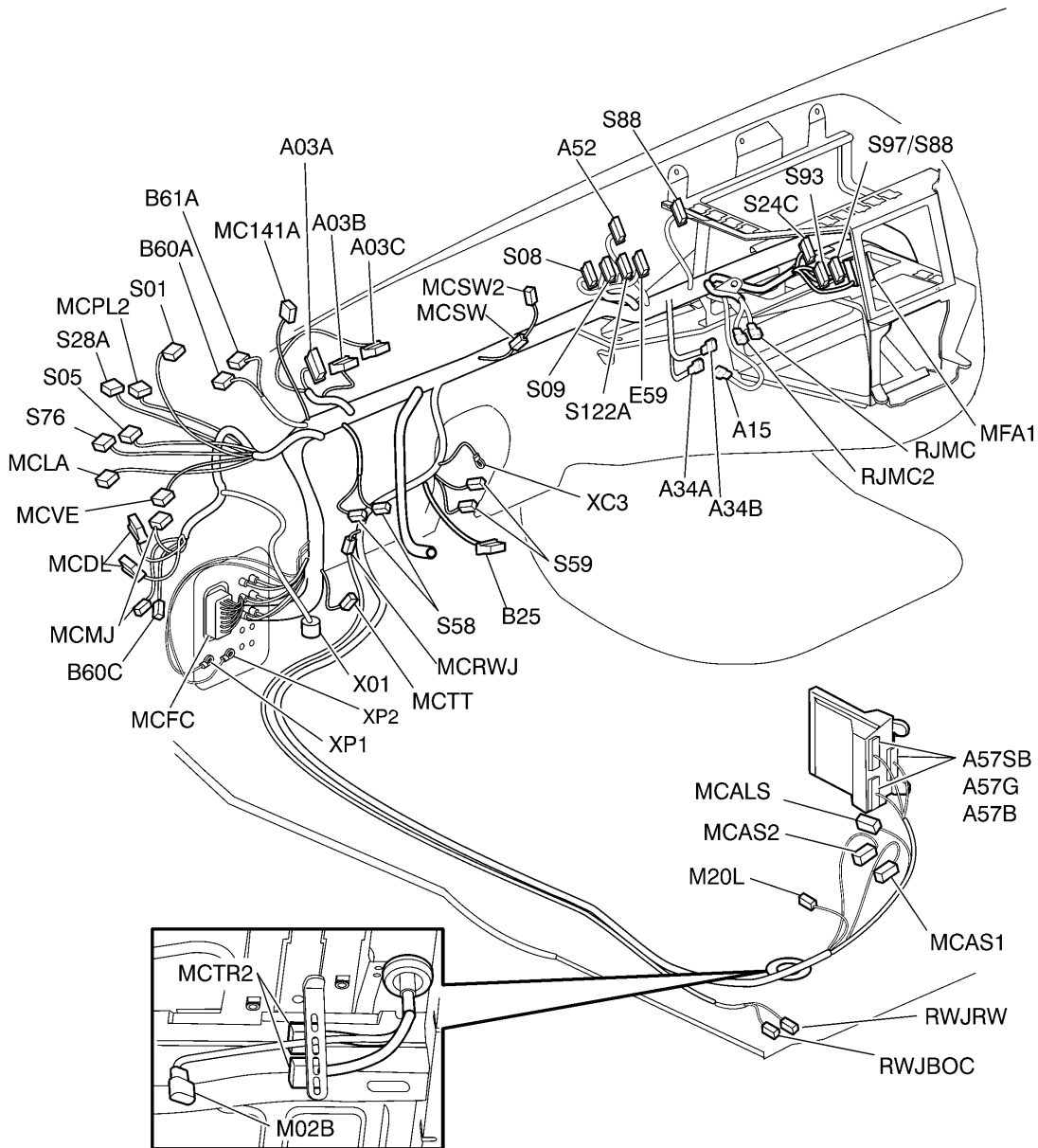
Note: For further information, concerning Electrical Schematics, refer to the current schematics documentation in Group 37.

Number	Description	Page
Cab Interior		
	Fuse and Relay Center, Main Cab Harness	"Fuse and Relay Center, Main Cab Harness" page 6
	Fuse and Relay Center, Main Cab Harness 2	"Fuse and Relay Center, Main Cab Harness 2" page 7
	Auxiliary Switch	"Aux. Switch Overlay" page 8
	Cab Wiring Passthrough	"Cab Wiring Passthrough" page 9
	Modules	"Modules" page 10
	ABS Overlay	"ABS Overlay" page 11
	ECS ECU Overlay	"ECS ECU Overlay" page 12
	Dash Switches, VN	"Dash Switches, VN" page 13
	Dash Switches, VHD	"Dash Switches, VHD" page 14
	Dash Harness and Cab Wiring Passthrough	"Dash Harness and Cab Wiring Passthrough" page 15
	Dash Harness, Mobile Max	"Dash Harness, Mobile Max" page 16
	Dash Harness, Qualcomm	"Dash Harness, Qualcomm" page 17
	Dash Harness, Snowplow Lights	"Dash Harness, Snow Plow/ Beacon Lights Option" page 18
	Dash Overhead Shelf Harness and CB Power	"Front Overhead Shelf/CB Power Harness" page 19
	Radio Harness	"Radio Harness" page 20
	Steering Column Harness	"Steering Column Harness, Including Stalk Switches" page 21
	Cab Floor Harnesses, Front	"Cab Floor Harnesses, Front" page 22
	Sleeper Control Panel	"Sleeper Control Panel (LECM)" page 36
	Rear Cab Harness, VN430	"Rear Cab Harness, VN430" page 23
	Rear Cab Harness, VN630	"Rear Cab Harness, VN630" page 24
	Rear Cab Harness, VN670	"Rear Cab Harness, VN670" page 25
	Rear Cab Harness, VN780	"Rear Cab Harness, VN780/VT" page 26
	Rear Cab, Lower Wall Harness, VN780	"Rear Cab, Lower Wall Harness, VN780" page 27
	Rear Cab Valance Harness, VN780	"Rear Cab Valance Harness, VN780" page 28
	Rear Cab Harness, Back of Cab Lights (HDI/HDO)	"Rear Cab Harness, Back of Cab Lights (HDI/HDO Variant)" page 29
	Rear Cab Harness, Back of Cab Lights (LDI/LDO)	"Rear Cab Harness, Back of Cab Lights (LDI/LDO Variant)" page 30
	Rear Cab Harness, Fifth Wheel Light	"Rear Cab Harness, Fifth Wheel Light" page 31
	Rear Cab Harness, Fifth Wheel Light	"Rear Cab Harness, Fifth Wheel Light" page 32
	Rear Cab Harness, Fifth Wheel Light and Speakers (Daycab)	"Rear Cab Harness, Fifth Wheel Light and Rear Speakers (Daycab)" page 33

Number	Description	Page
	Rear Cab Harness, Dual Fifth Wheel Light and Rear Speakers (Daycab)	"Rear Cab Harness, Dual Fifth Wheel Light and Rear Speakers (Daycab)" page 34
	Rear Cab Harness, Overhead Lights and Rear Speaker Detail	"Rear Cab Harness, Overhead Lights and Rear Speaker Detail" page 35
	Volvo Link	"Volvo Link Harness and Antennas" page 37
Doors, Cab Exterior and Lighting		
	Door Harness	"Door Harness" page 40
	Power Mirrors	"Side Mirrors" page 41
	Side Markers	"Side Markers" page 42
	Roof Sign Harness	"Roof Sign Harness" page 43
	Marker Lamps, Overhead	"Overhead Marker Lights" page 44
	Marker Lamps, Sunvisor (Daycab, VN430, VN630)	"Sunvisor Harness (Daycab, VN430 and 630)" page 45
	Marker Lamps, Sunvisor (VN670, VN780)	"Sunvisor Harness (VN670 and 780)" page 46
	Trailer Cable Harness	"Trailer Cable Connections" page 47
	Headlight Harness, VHD	"Headlight Harness, VHD" page 49
	Headlight Harness, VNM	"Headlight Harness, VNM" page 50
	Headlight Harness, VNL	"Headlight Harness, VNL" page 51
	Fog and Driving Lights, VHD Harness	"Fog and Driving Lights, VHD" page 52
	Fog and Driving Lights, VNL and VNM Harness	"Fog and Driving Lights, VNL and VNM" page 53
	Tail Lights Harness	"Tail lights" page 54
Engine Compartment		
	Alternator	"Alternator (typical view)" page 55
	Engine, Volvo D12D	"D12D" page 56
	Engine, Cummins ISX	"Engine, Cummins ISX" page 59
Transmission		
	Allison HD Transmission, VHD (BBOX-LF)	"Allison HD Transmission, VHD (BBOX-LF)" page 60
	Eaton Autoshift II Transmission	"Eaton Autoshift II Transmission" page 61
	Eaton Autoshift III Transmission	"Eaton Autoshift III Transmission" page 62
	Meritor Lightning Transmission	"Eaton Lightning/Eaton Ultrashift II Transmission" page 63
	Meritor Transmission	"Meritor Transmission" page 64
	Fuller Transmission	"Eaton Fuller Transmission" page 65
Chassis		
	Washer Reservoir	"Washer Reservoir, VN" page 66
	Washer Fill	"Washer Reservoir, VHD" page 67
	Horn	"Horn" page 68
	Fuel Sensor	"Fuel Level Sensor" page 69
	Diff Lock / Axle Temperature Harness	"Differential Lock/Axle Temperature" page 70
	Central Tire Inflation ECU	"Central Tire Inflation System" page 71
	Ambient Temperature Sensor	"Ambient Temperature Sensor" page 72
	Tempastart	"Temp A Start" page 73
	Pyrometer Sensor	"Pyrometer Sensor" page 74

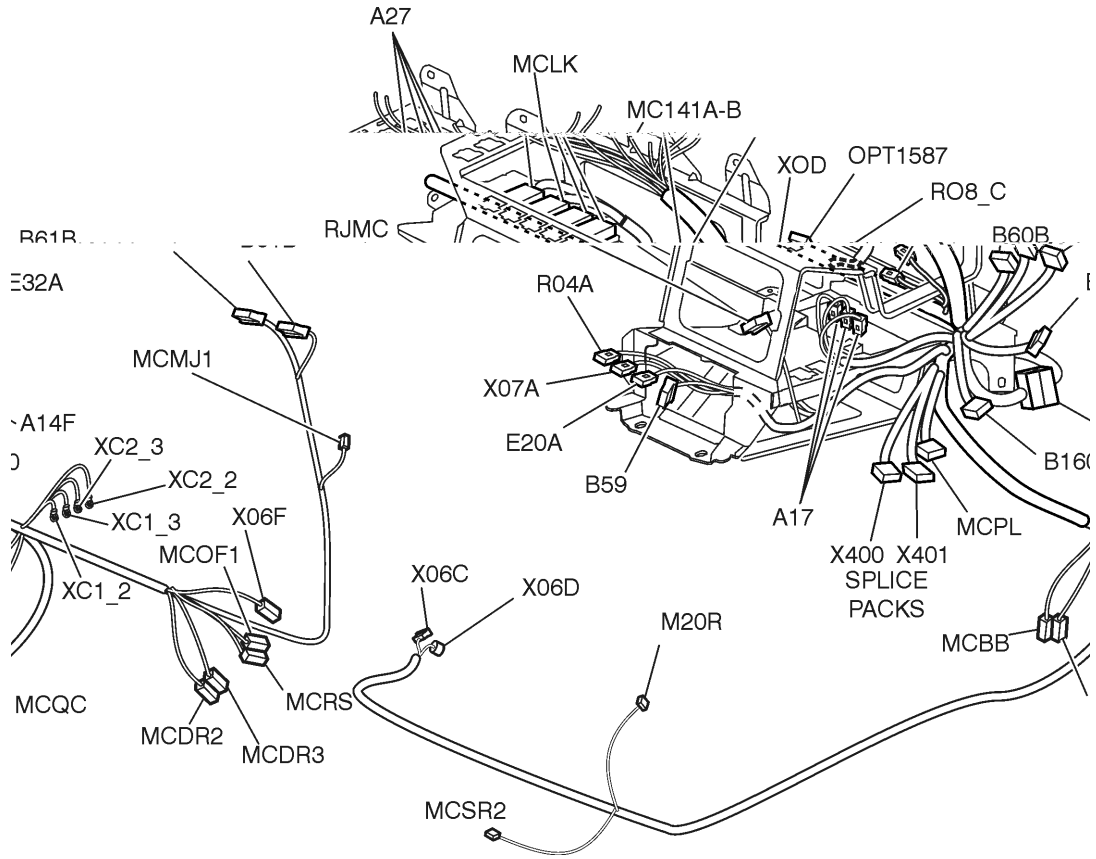
Number	Description	Page
	Chassis Harness	"Chassis Harness" page 75
	VORAD Antennas	"VORAD Antennas" page 76
	Inverter Harness	"Inverter" page 78
	Bobybuilder Box	"Bodybuilder Box, VHD" page 48
	ICON System	"ICON" page 77

Fuse and Relay Center, Main Cab Harness



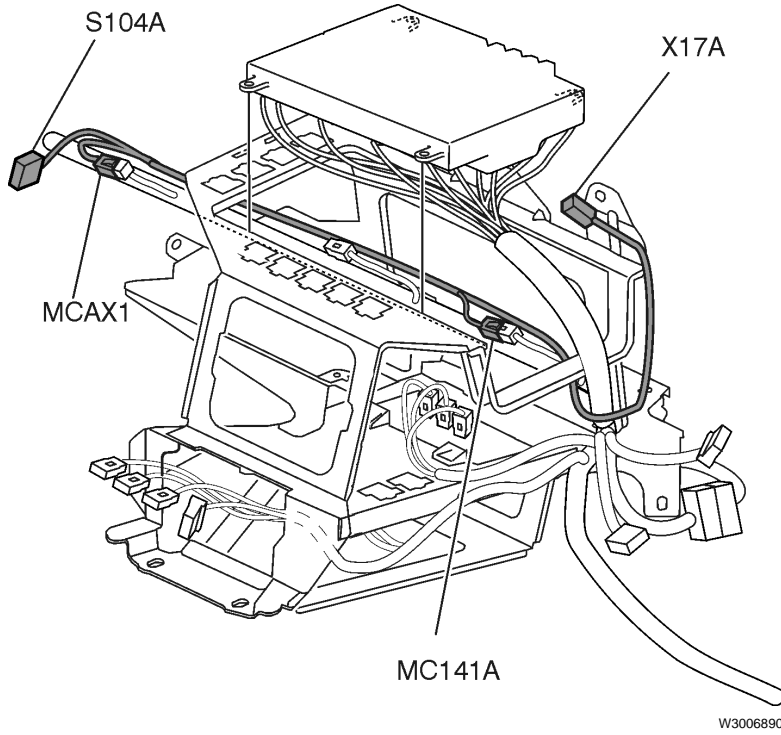
W3007185

Fuse and Relay Center, Main Cab Harness 2

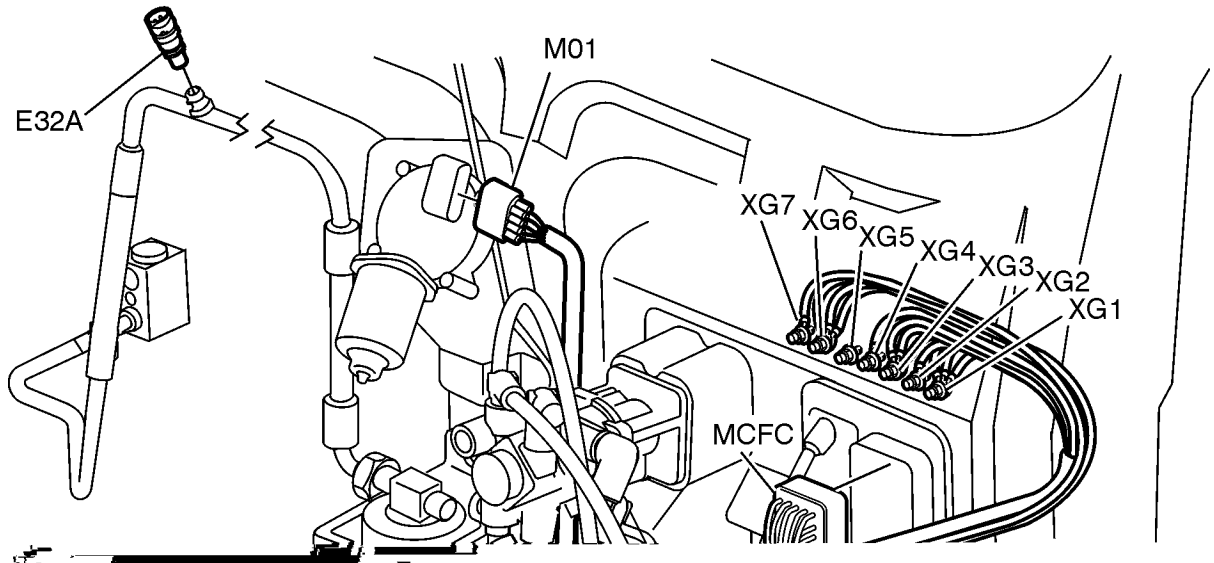


W3006904

Aux. Switch Overlay

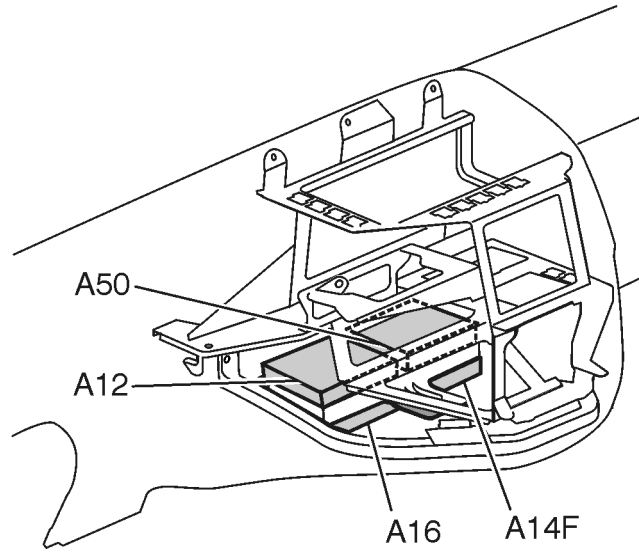


Cab Wiring Passthrough



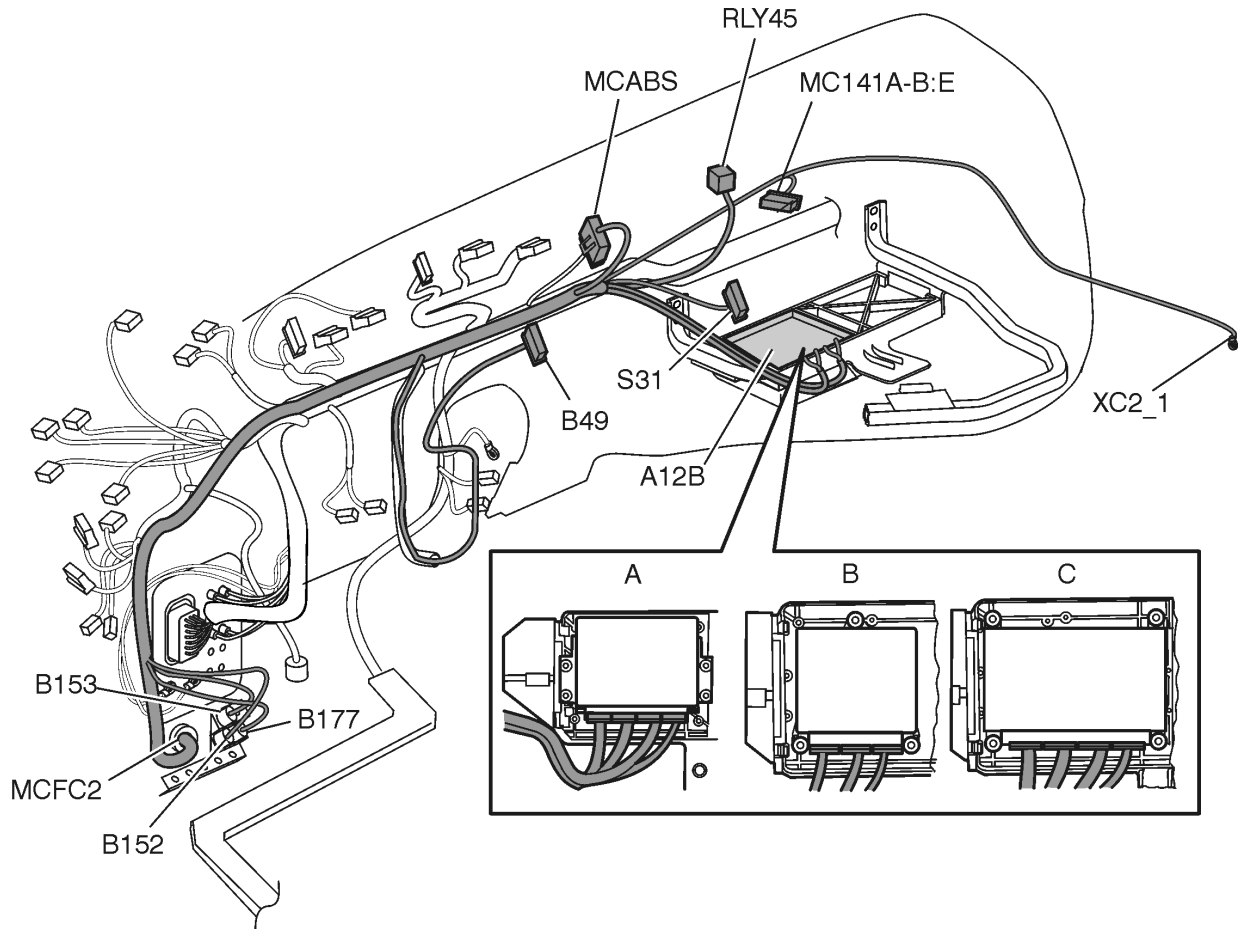
W3006892

Modules



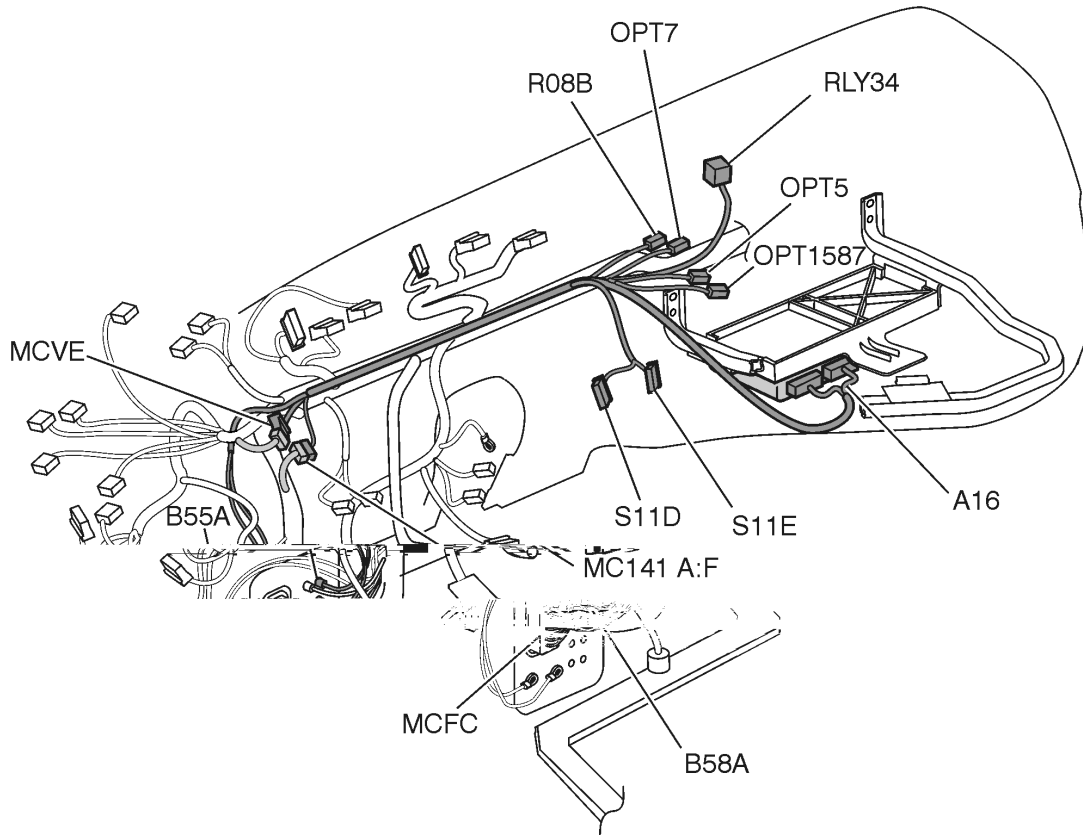
W3006905

ABS Overlay



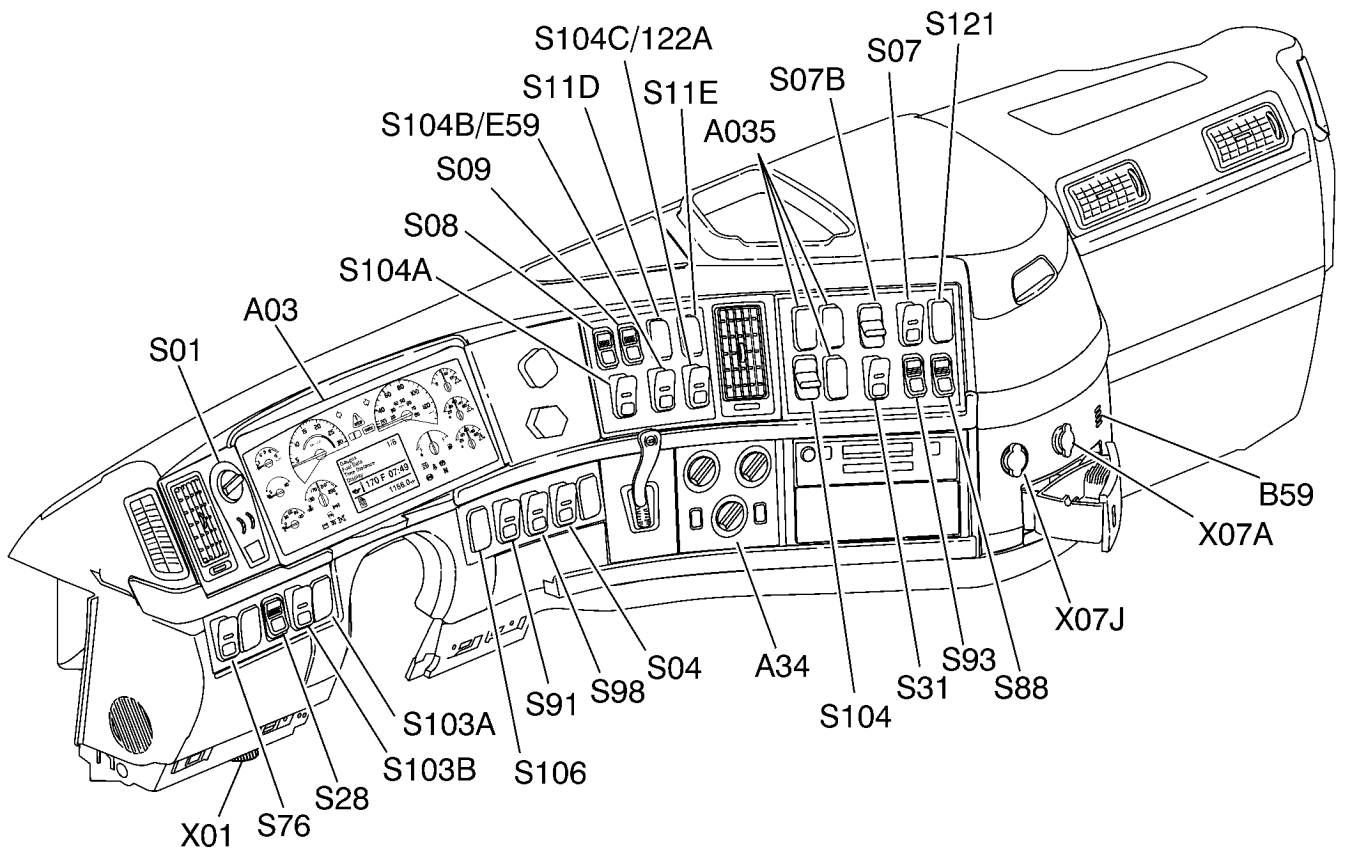
W3006884

ECS ECU Overlay



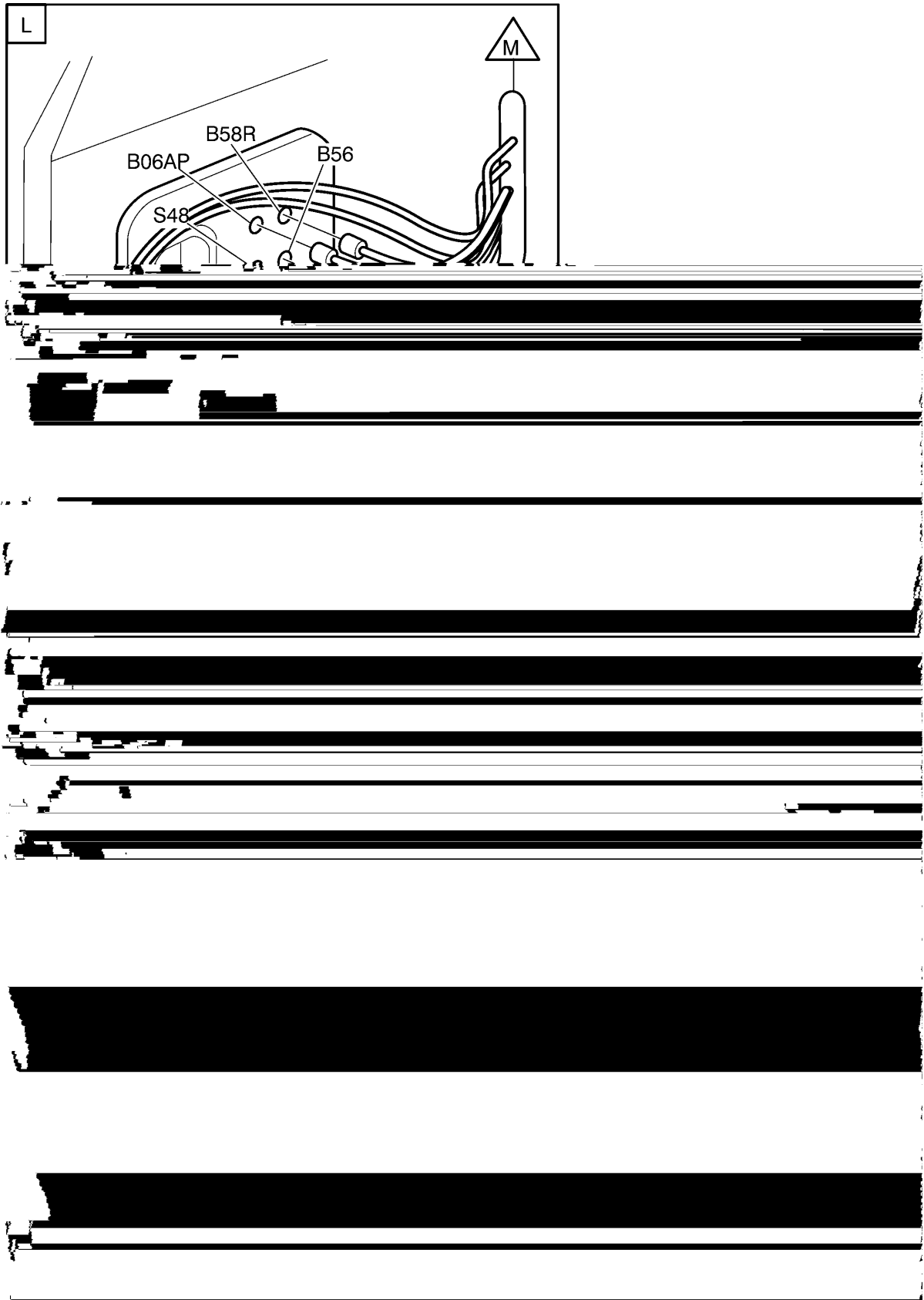
W3006885

Dash Switches, VN



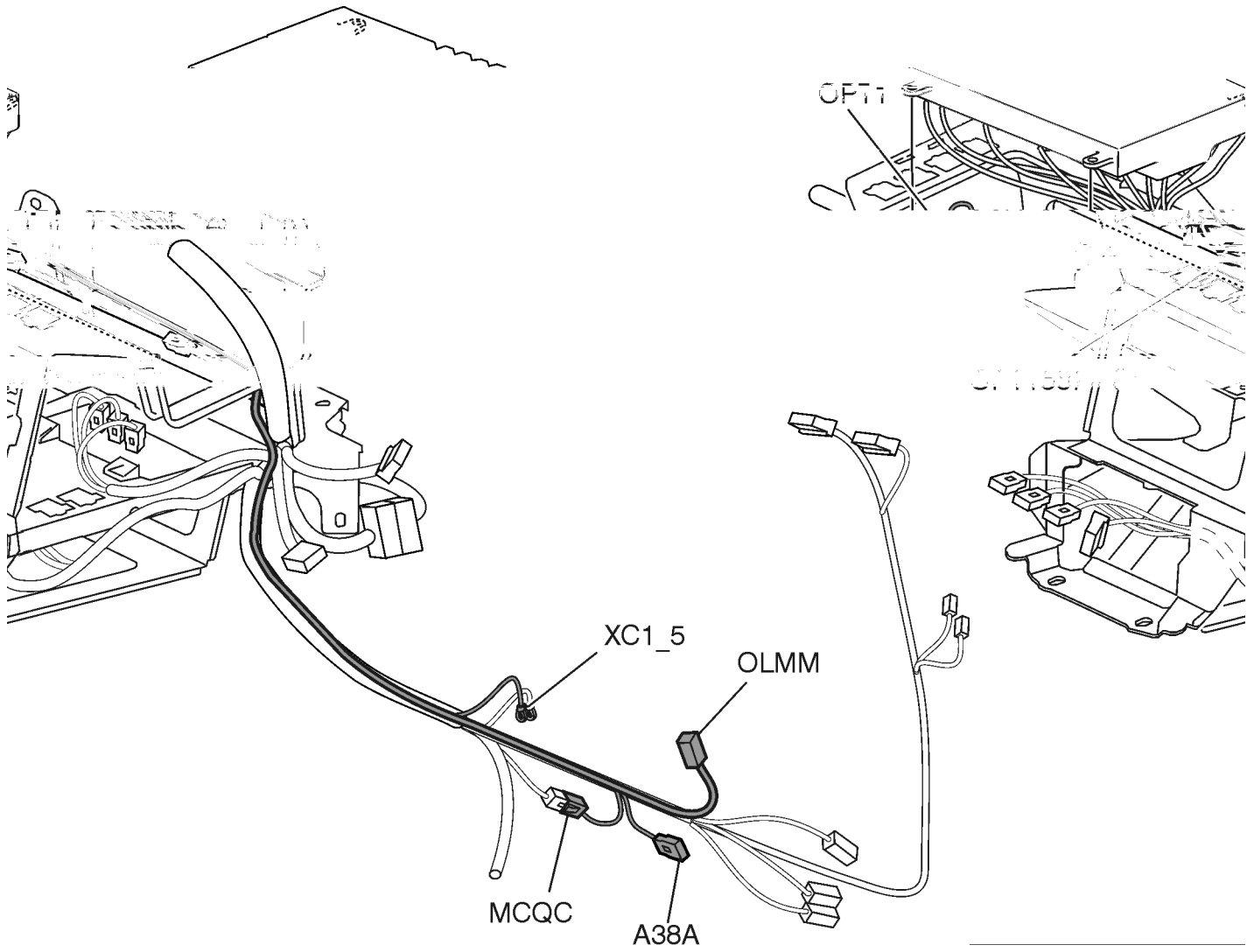
W3007182

Dash Harness and Cab Wiring Passthrough



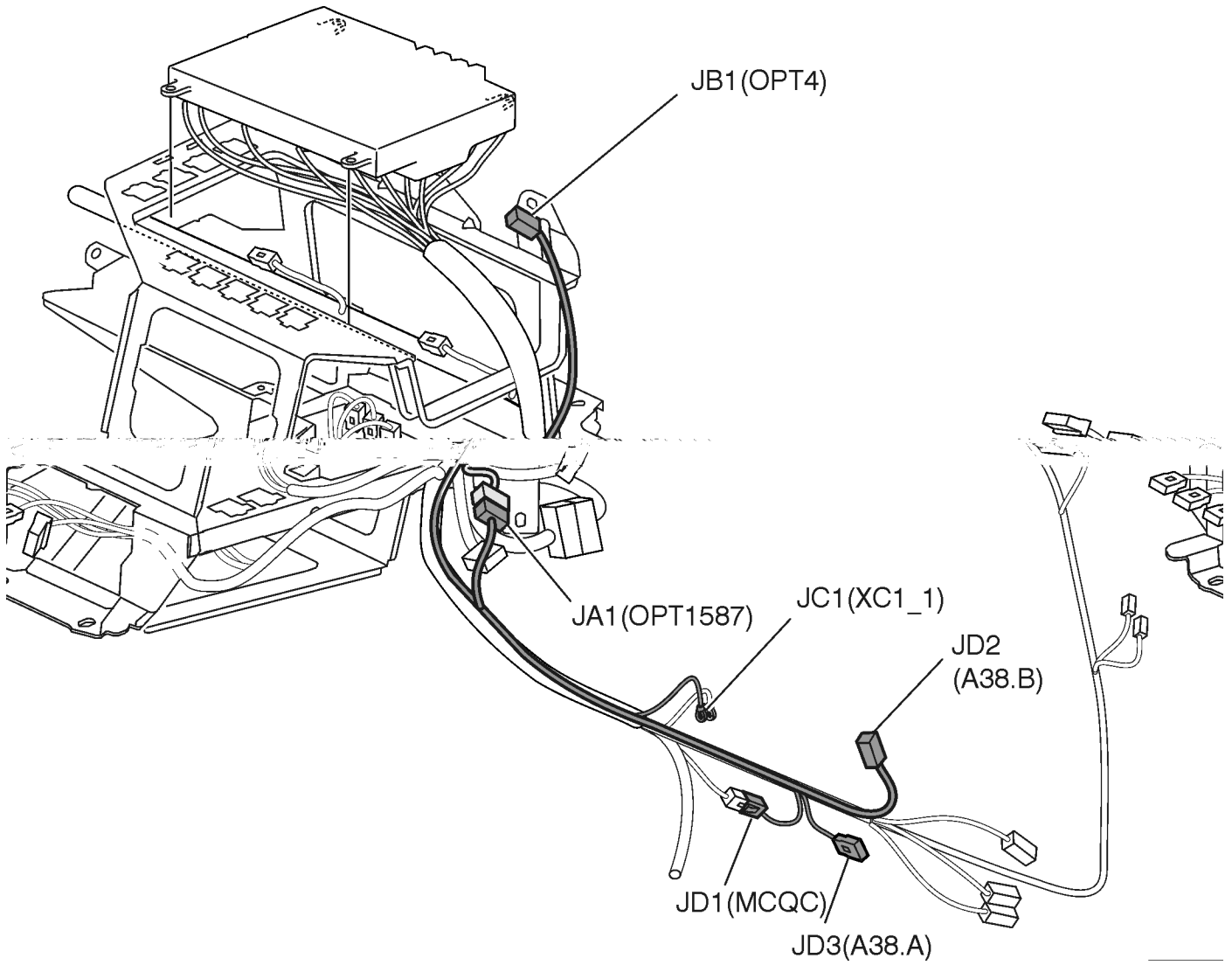
W3007179

Dash Harness, Mobile Max



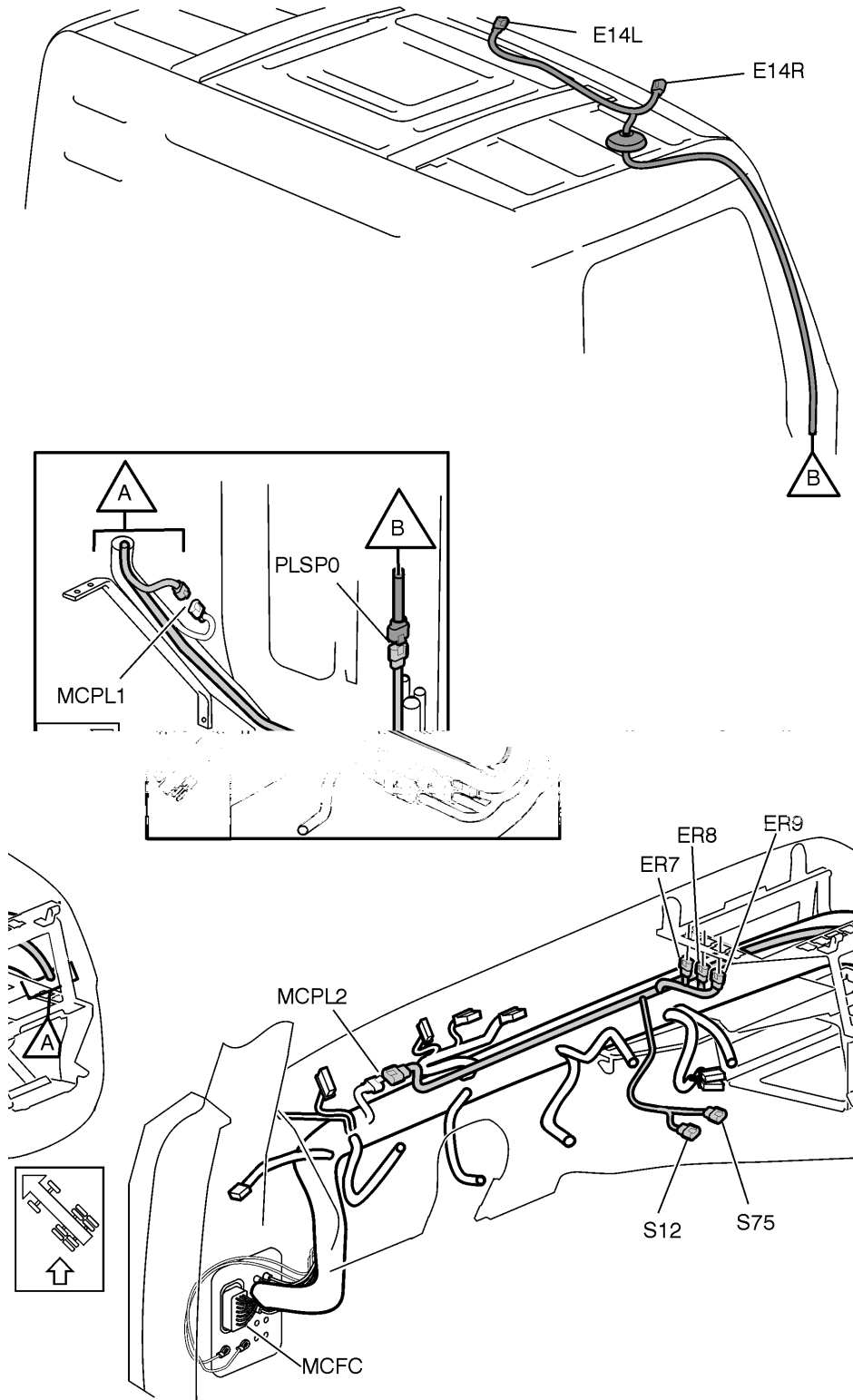
W3006886

Dash Harness, Qualcomm



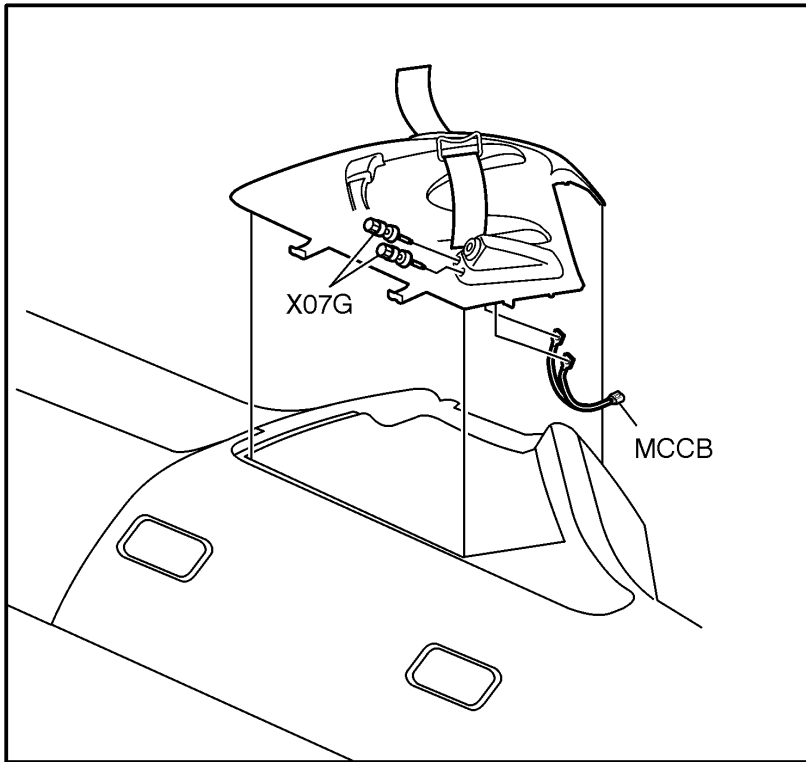
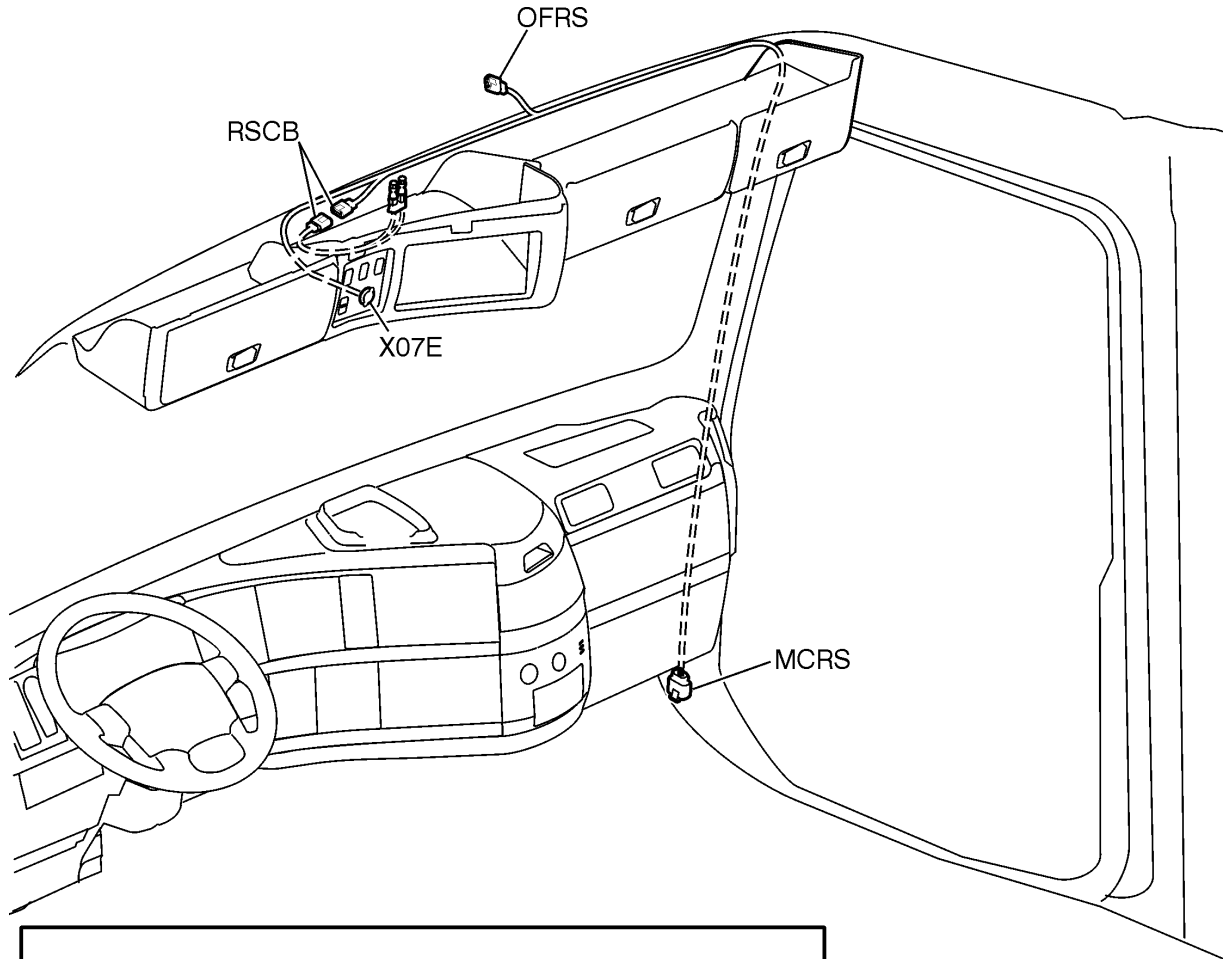
W3006887

Dash Harness, Snow Plow/ Beacon Lights Option



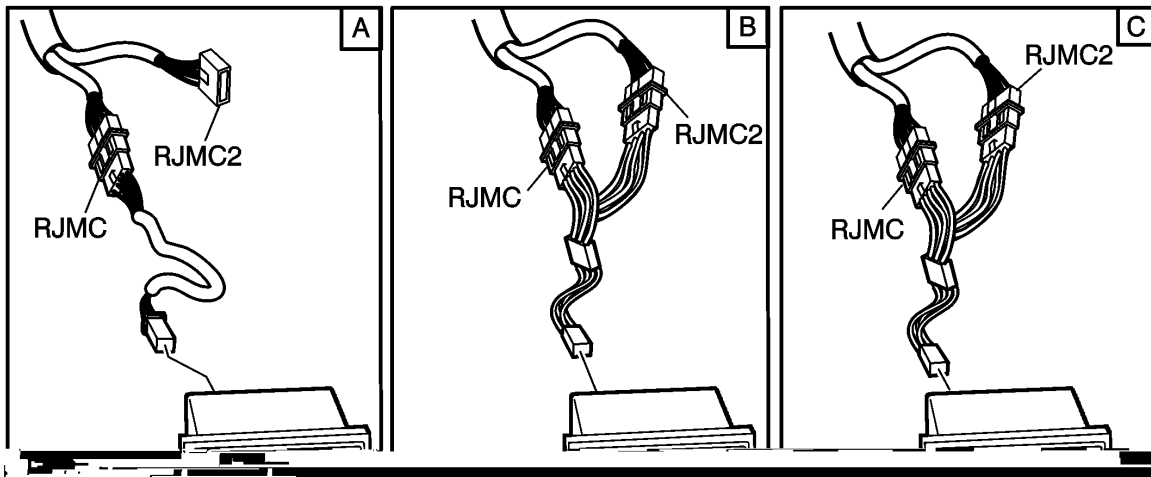
W3006379

Front Overhead Shelf/CB Power Harness



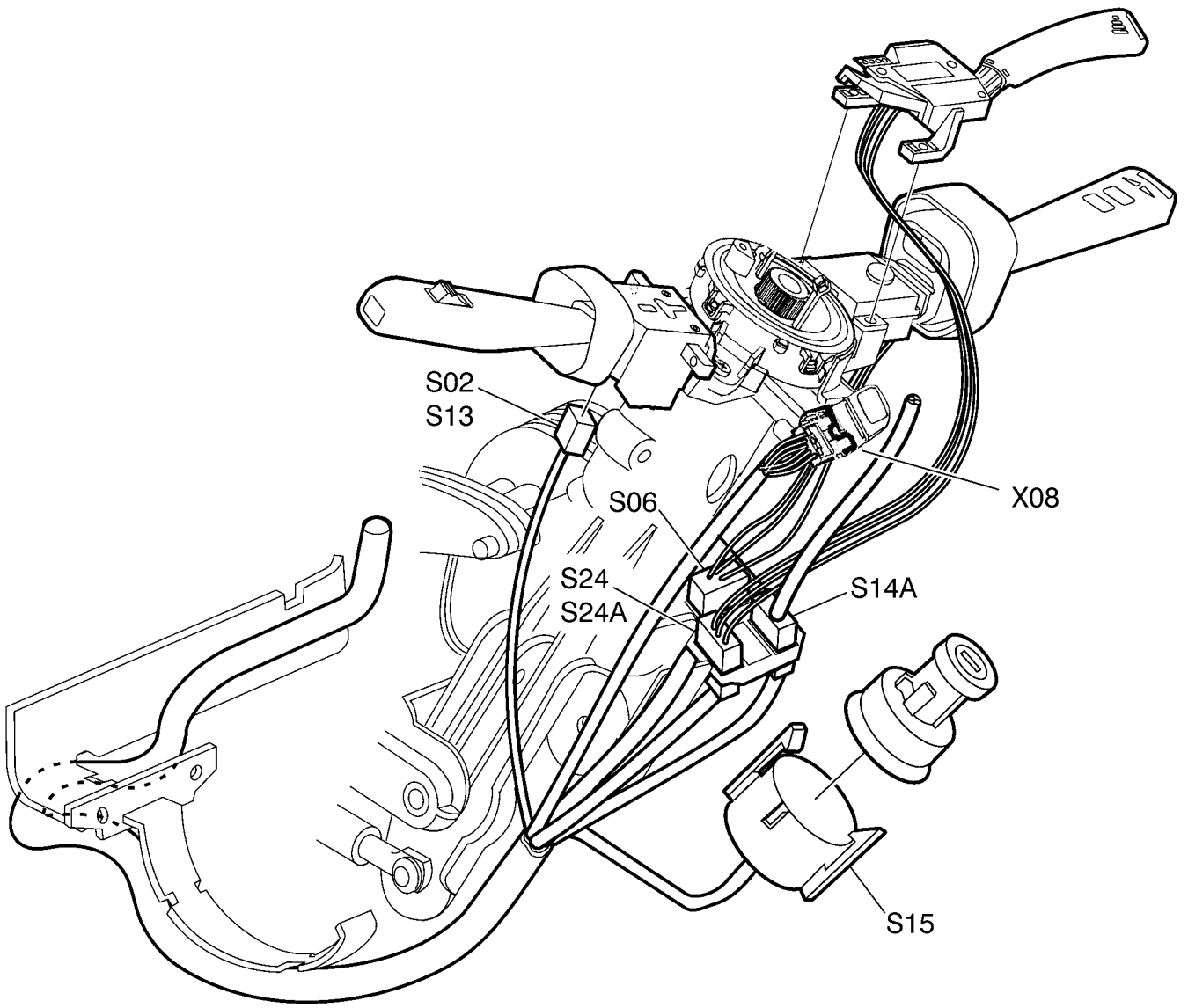
W3005899

Radio Harness



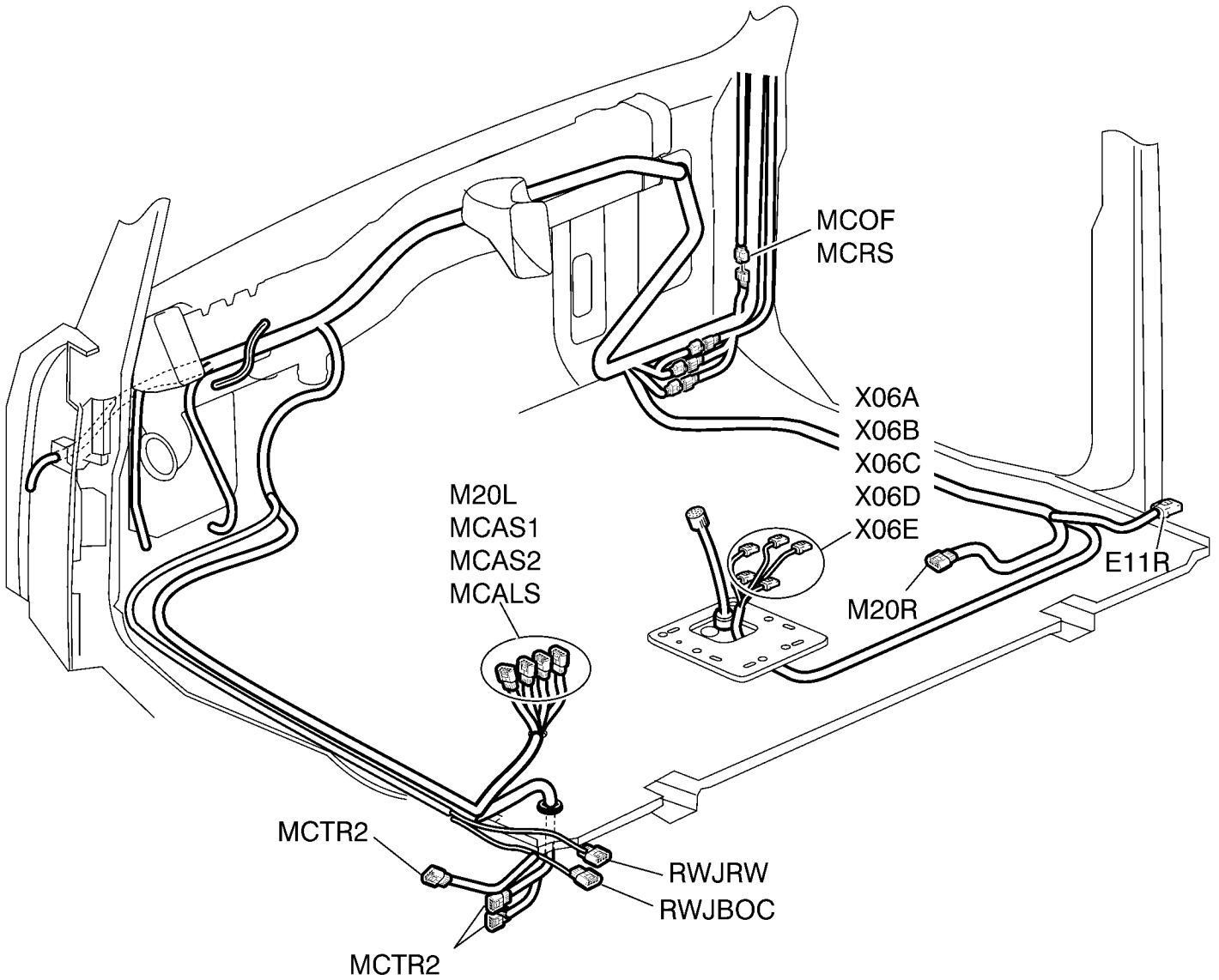
W3006717

Steering Column Harness, Including Stalk Switches



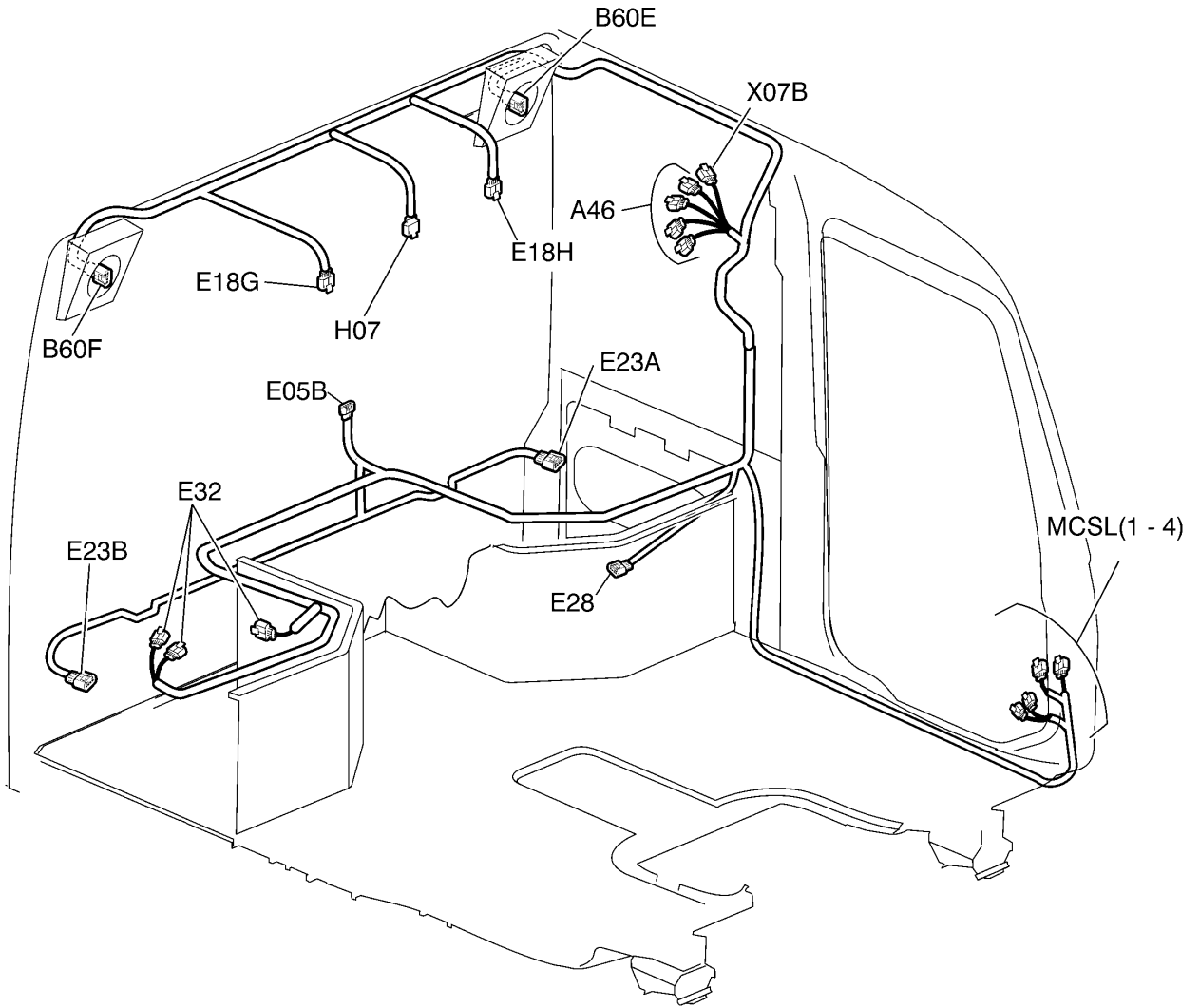
W3007184

Cab Floor Harnesses, Front



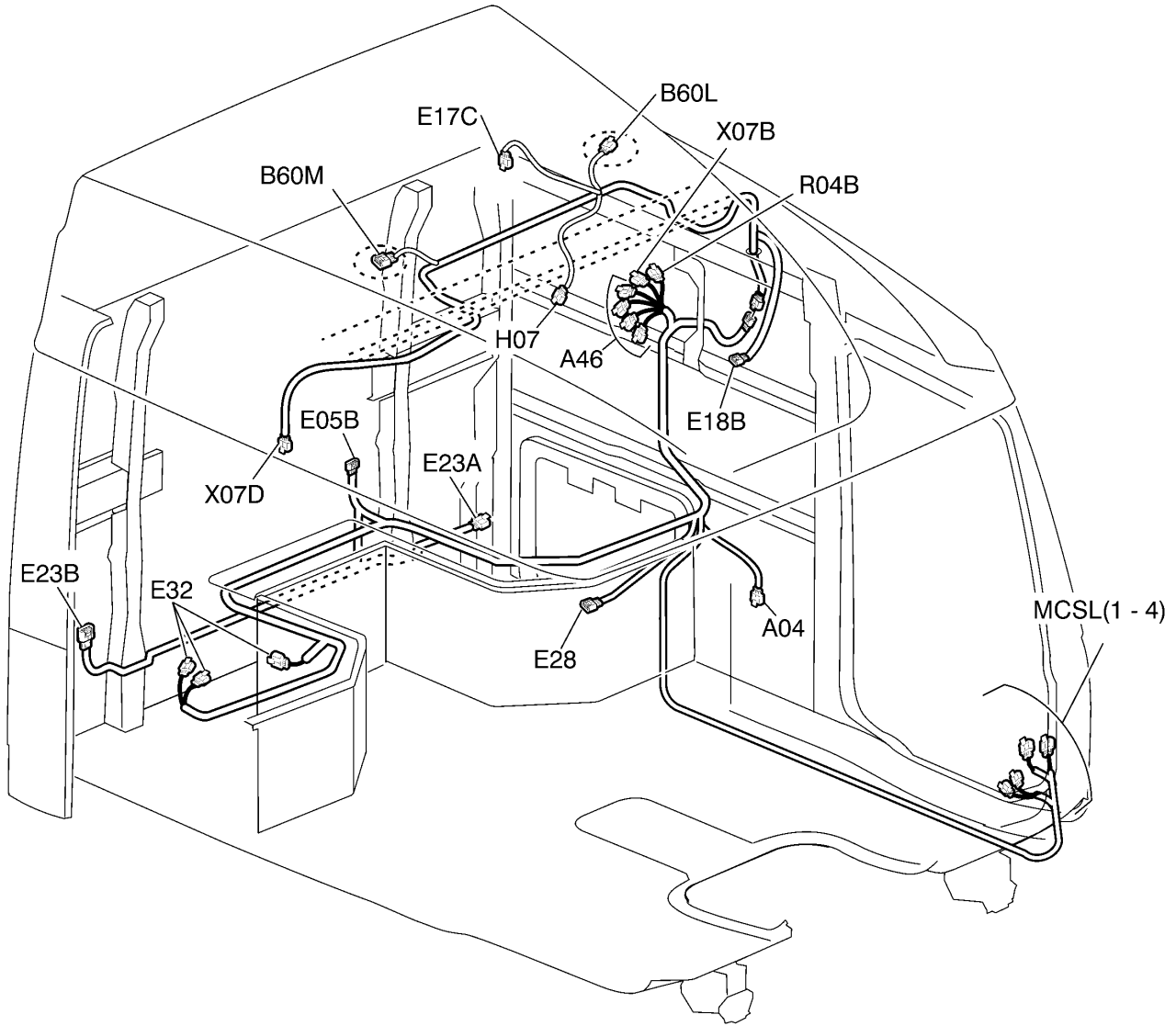
W3007180

Rear Cab Harness, VN430



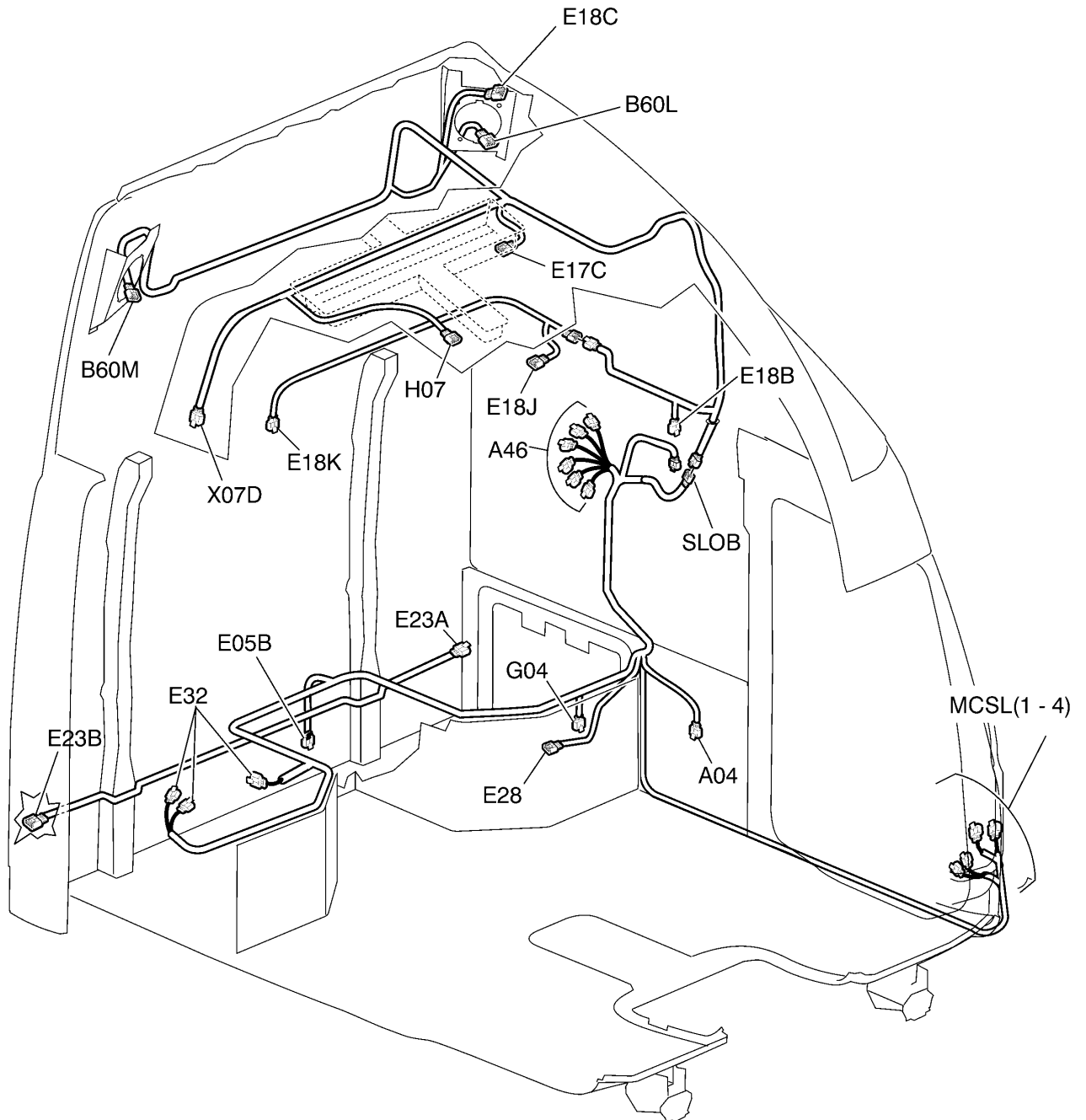
W3007172

Rear Cab Harness, VN630



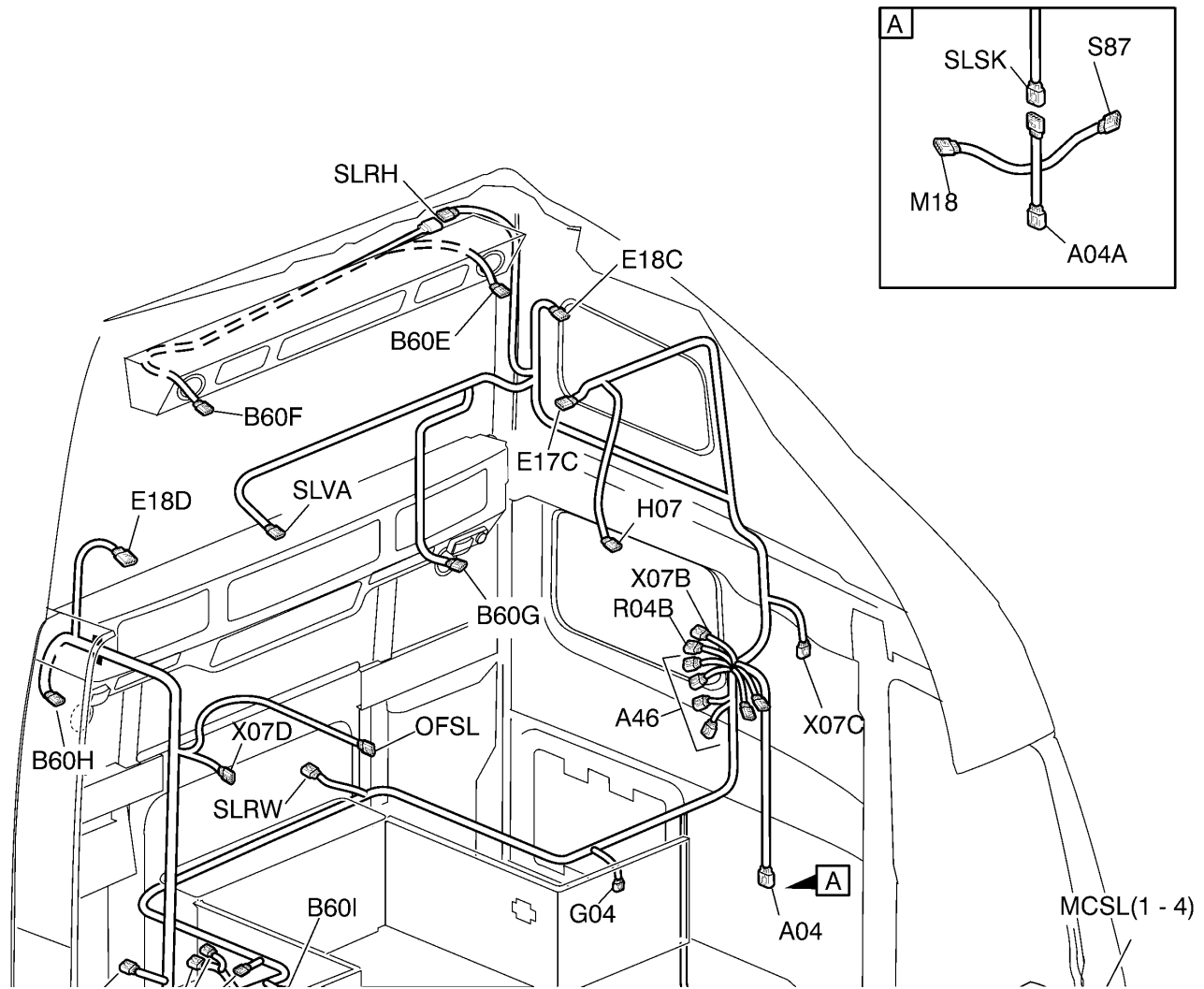
W3007173

Rear Cab Harness, VN670



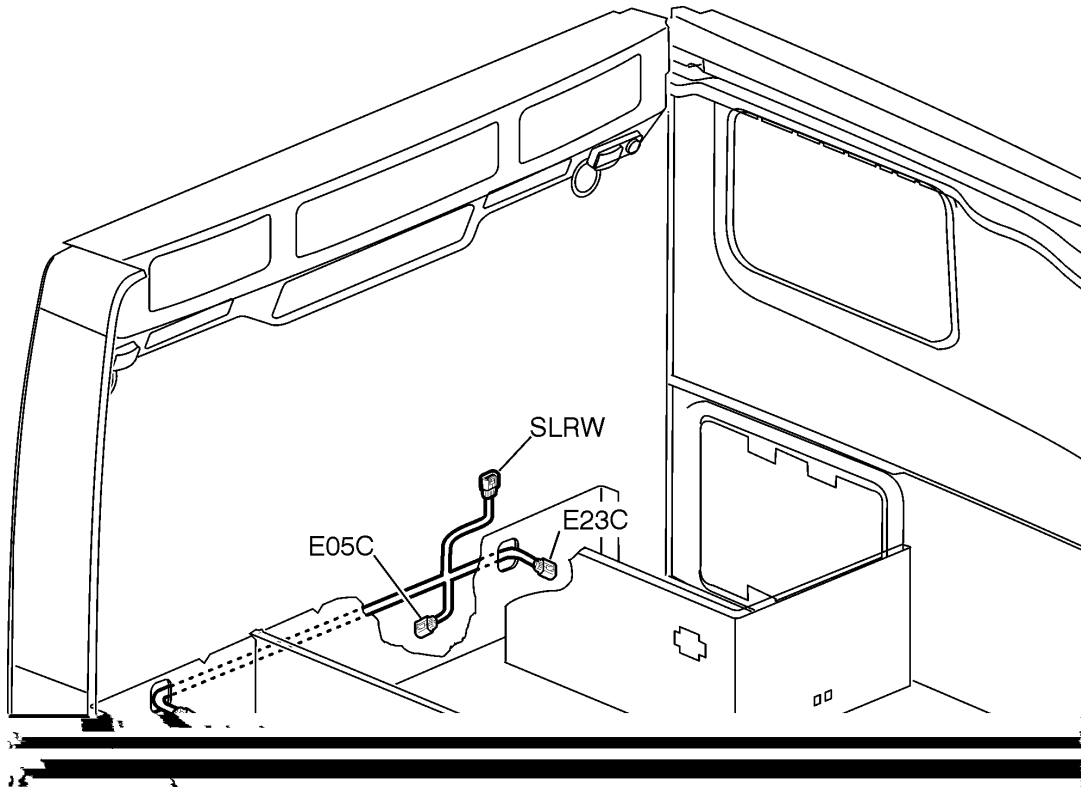
W3007174

Rear Cab Harness, VN780/VT



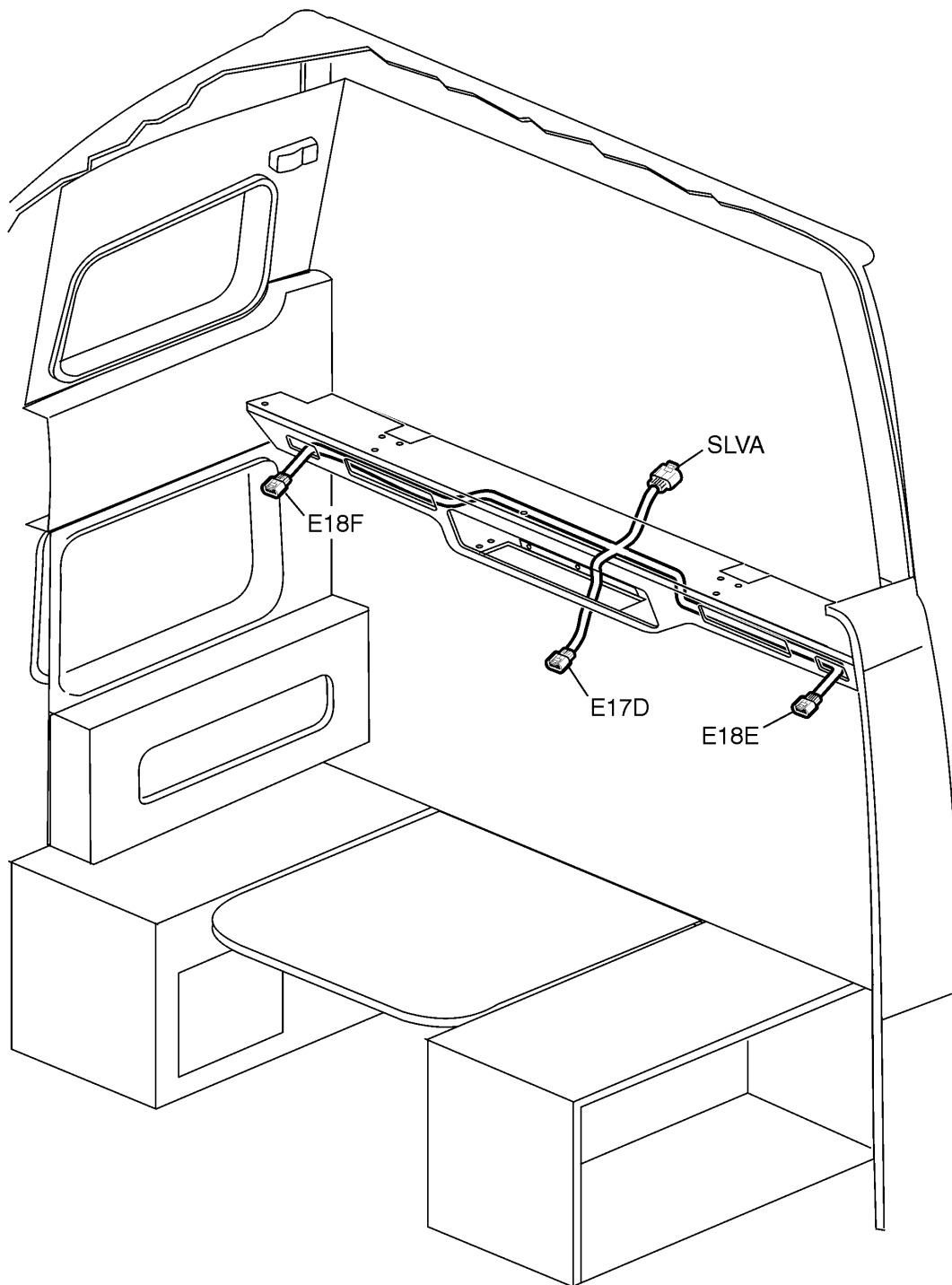
W3007175

Rear Cab, Lower Wall Harness, VN780



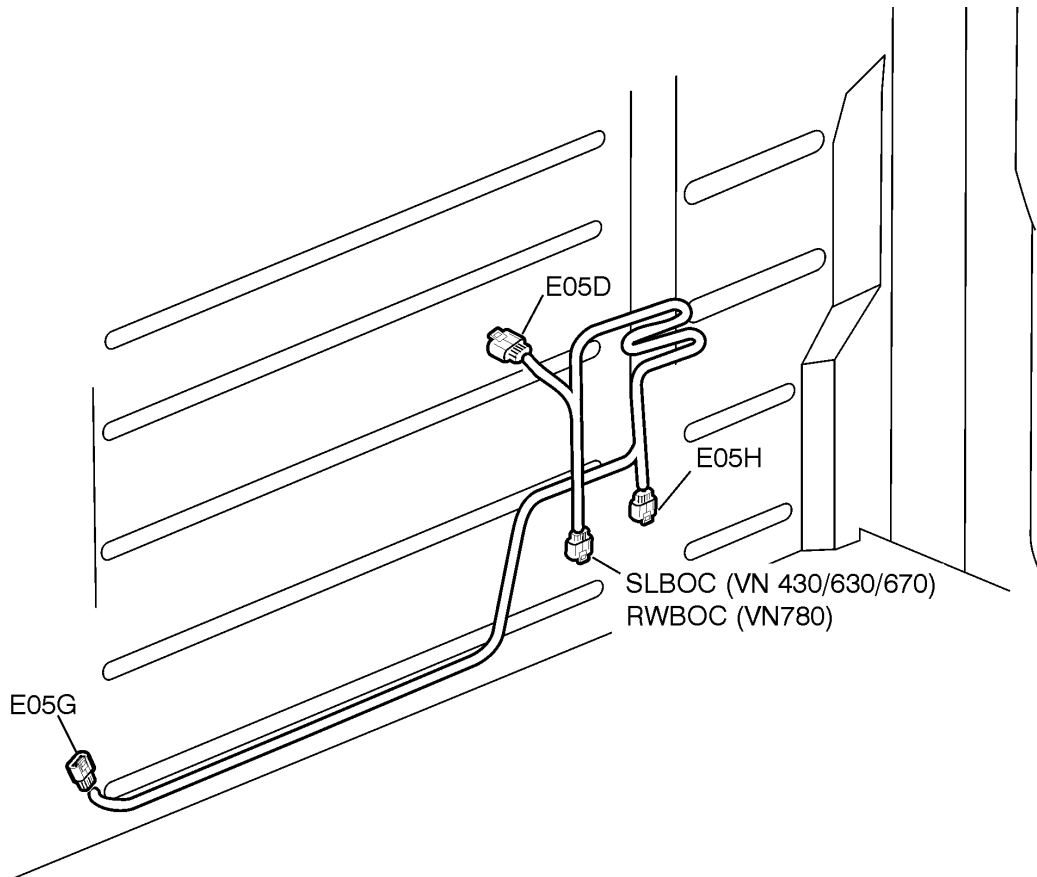
W3005888

Rear Cab Valance Harness, VN780



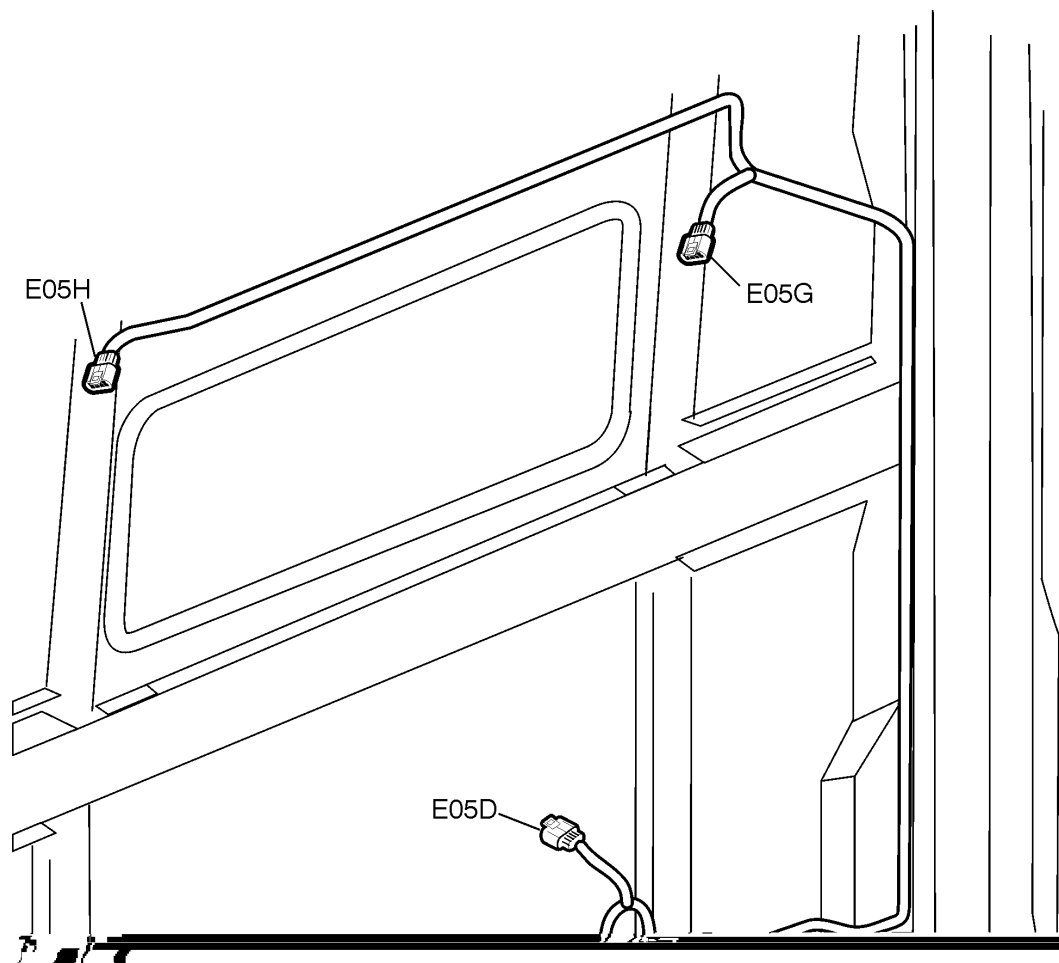
W3005936

Rear Cab Harness, Back of Cab Lights (HDI/HDO Variant)



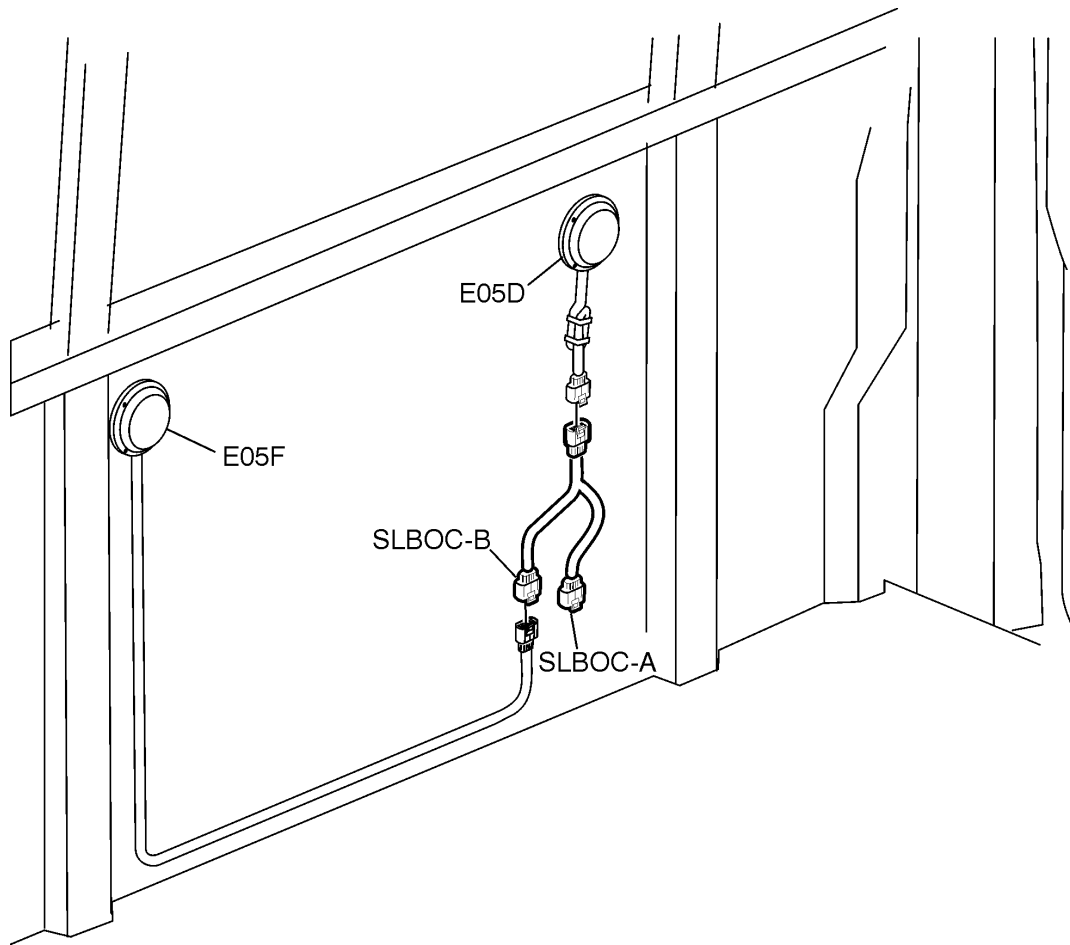
W3005905

Rear Cab Harness, Back of Cab Lights (LDI/LDO Variant)



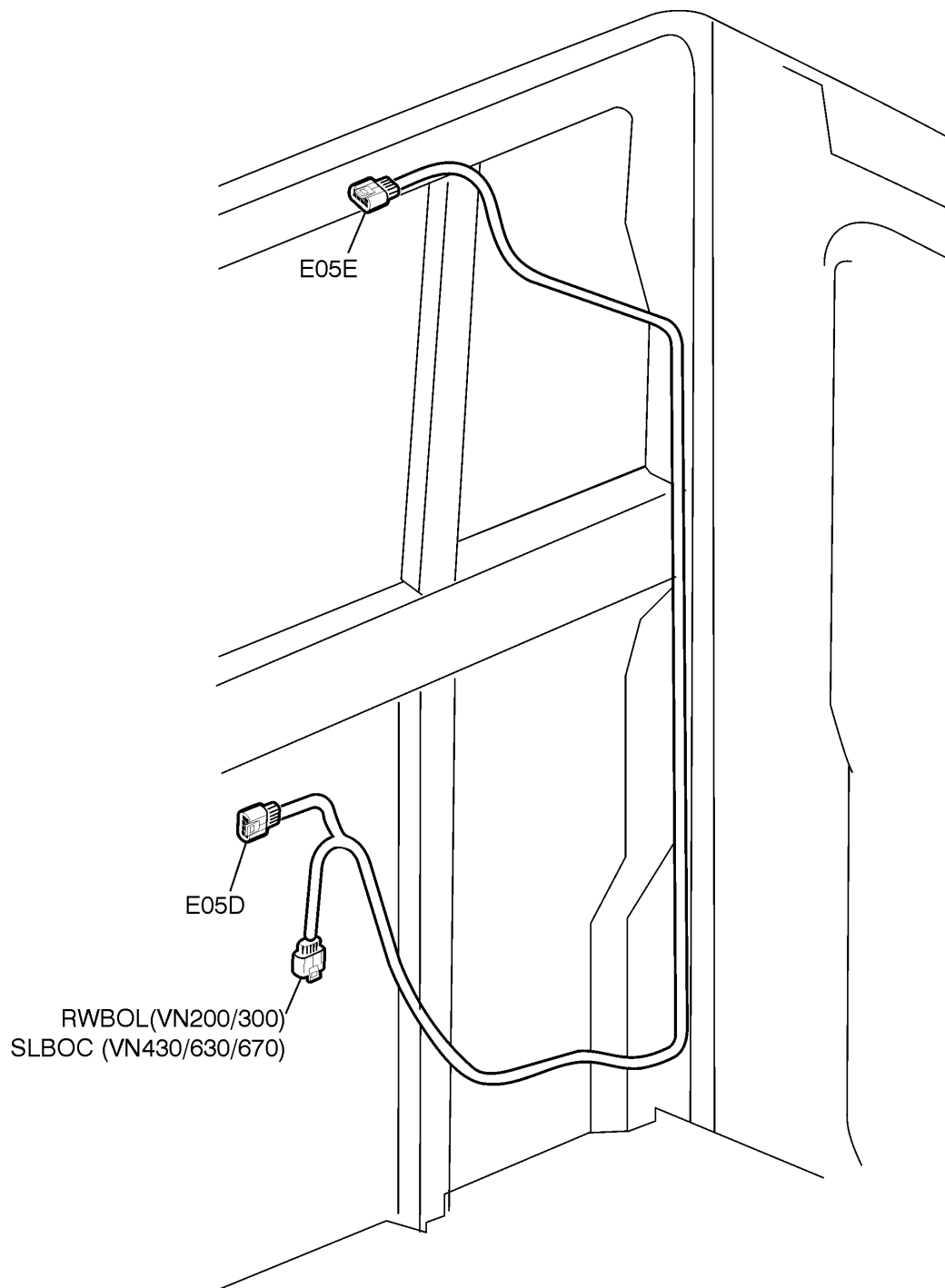
W3005903

Rear Cab Harness, Fifth Wheel Light



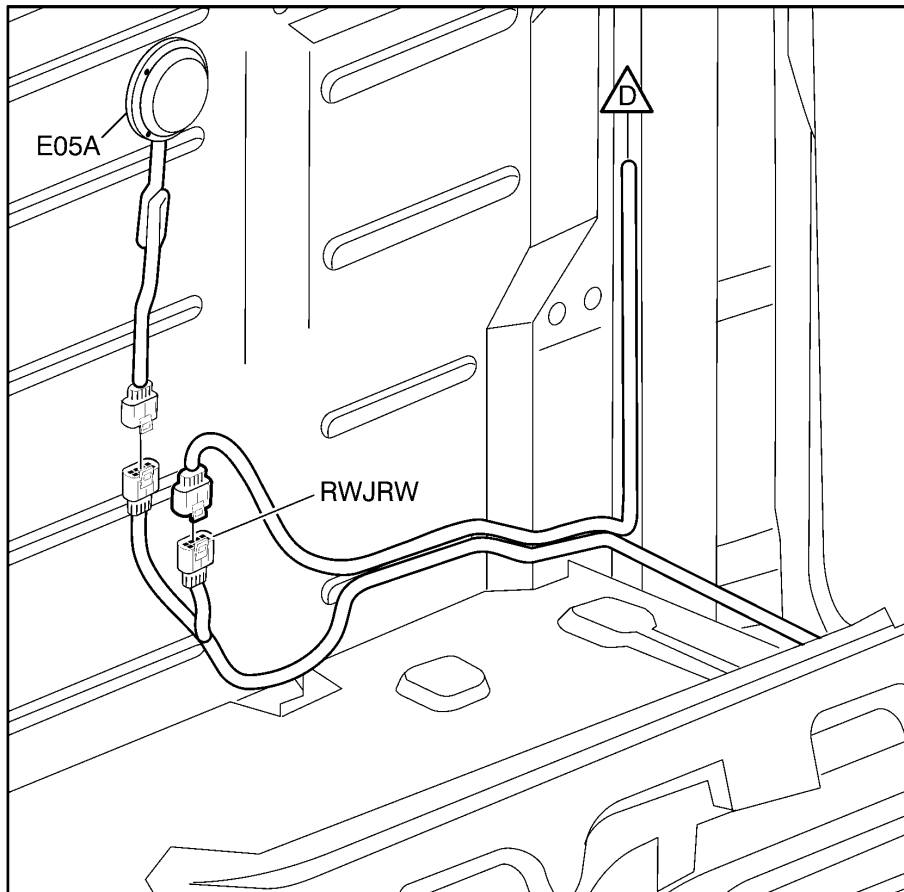
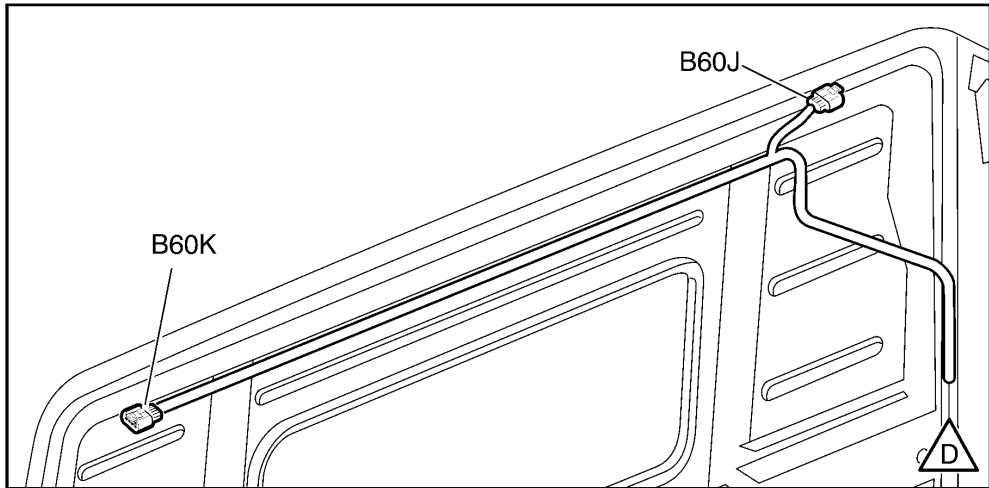
W3005906

Rear Cab Harness, Fifth Wheel Light



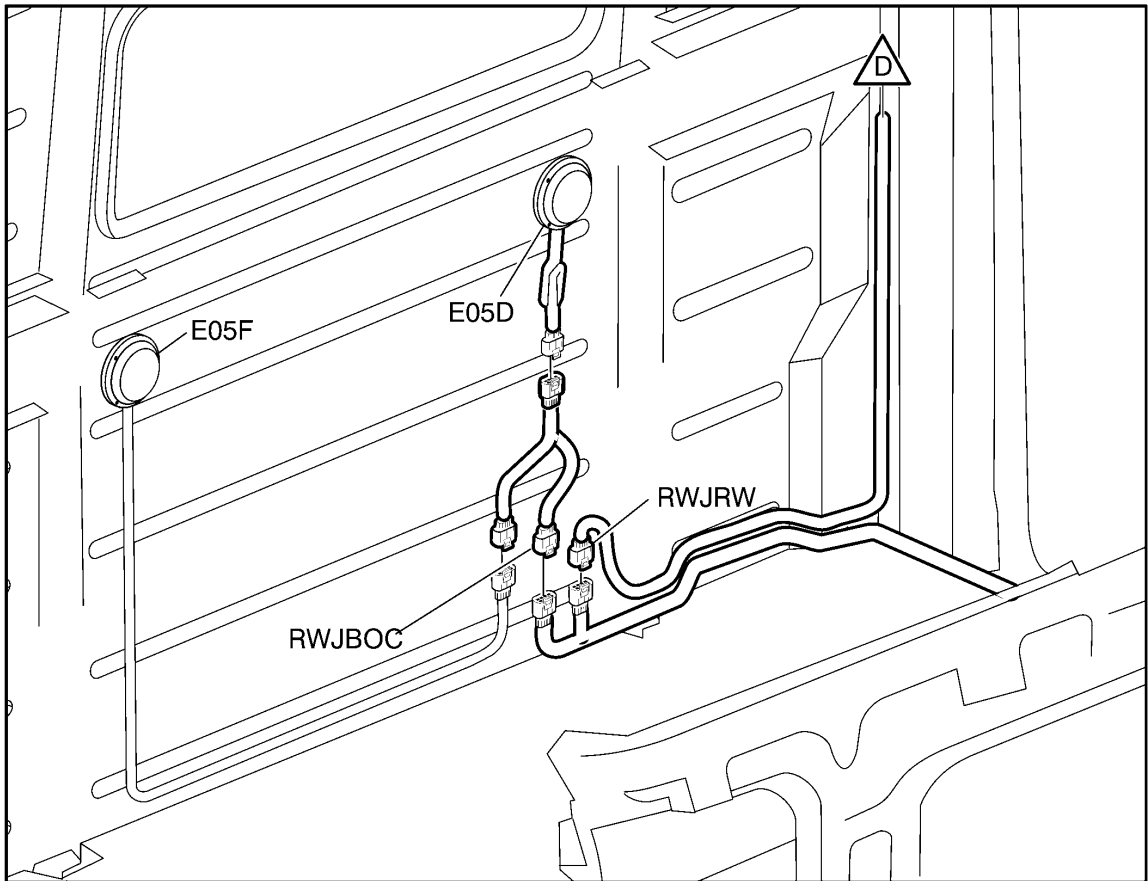
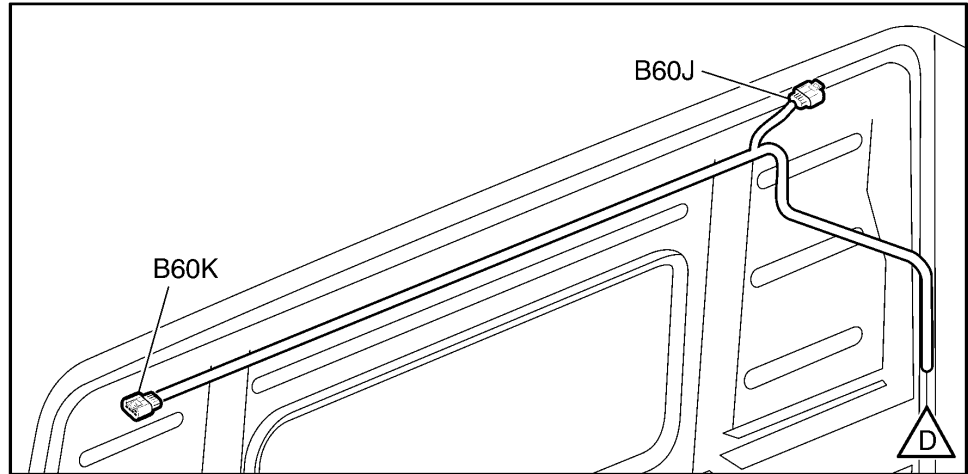
W3005904

Rear Cab Harness, Fifth Wheel Light and Rear Speakers (Daycab)



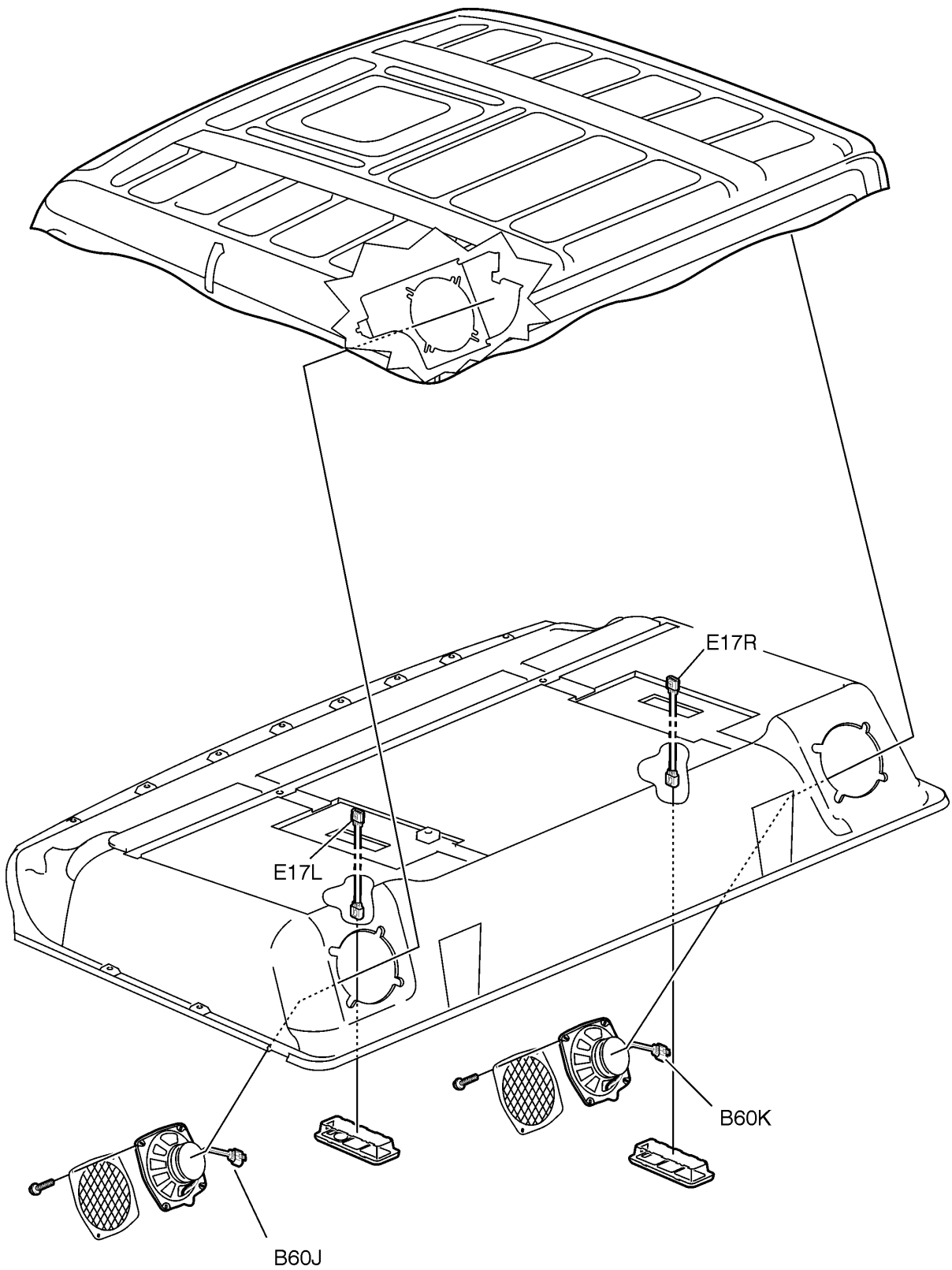
W3007177

Rear Cab Harness, Dual Fifth Wheel Light and Rear Speakers (Daycab)



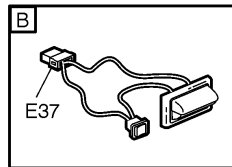
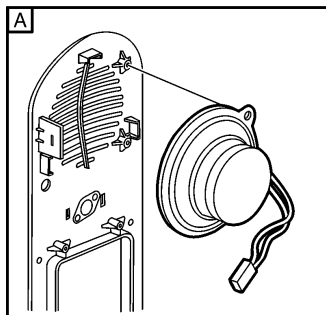
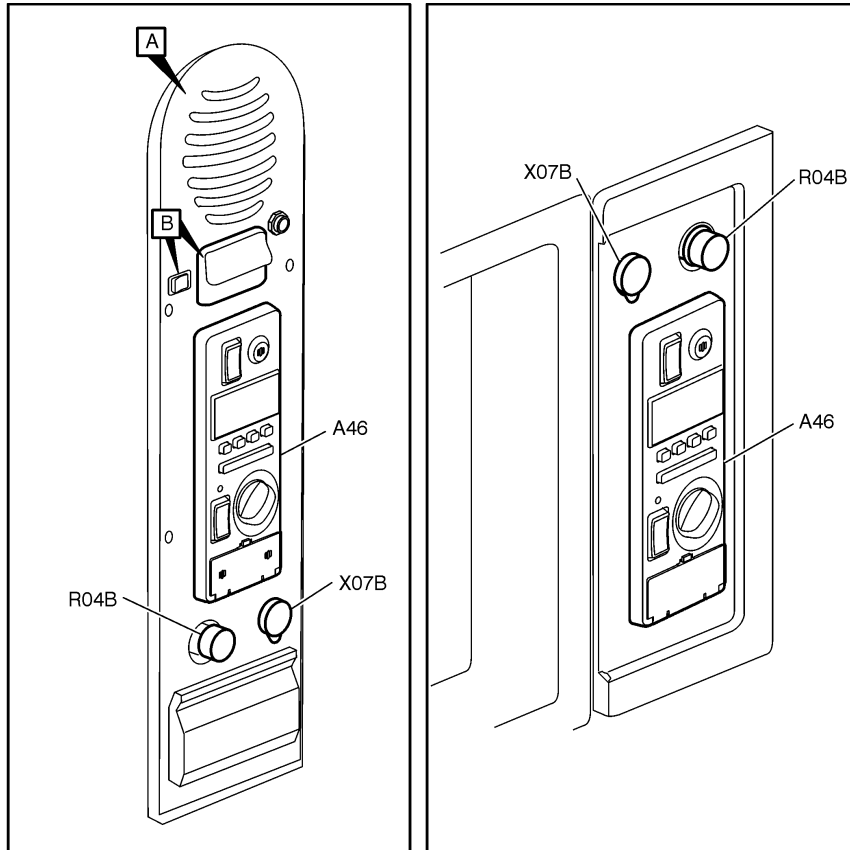
W3007178

Rear Cab Harness, Overhead Lights and Rear Speaker Detail



W3005939

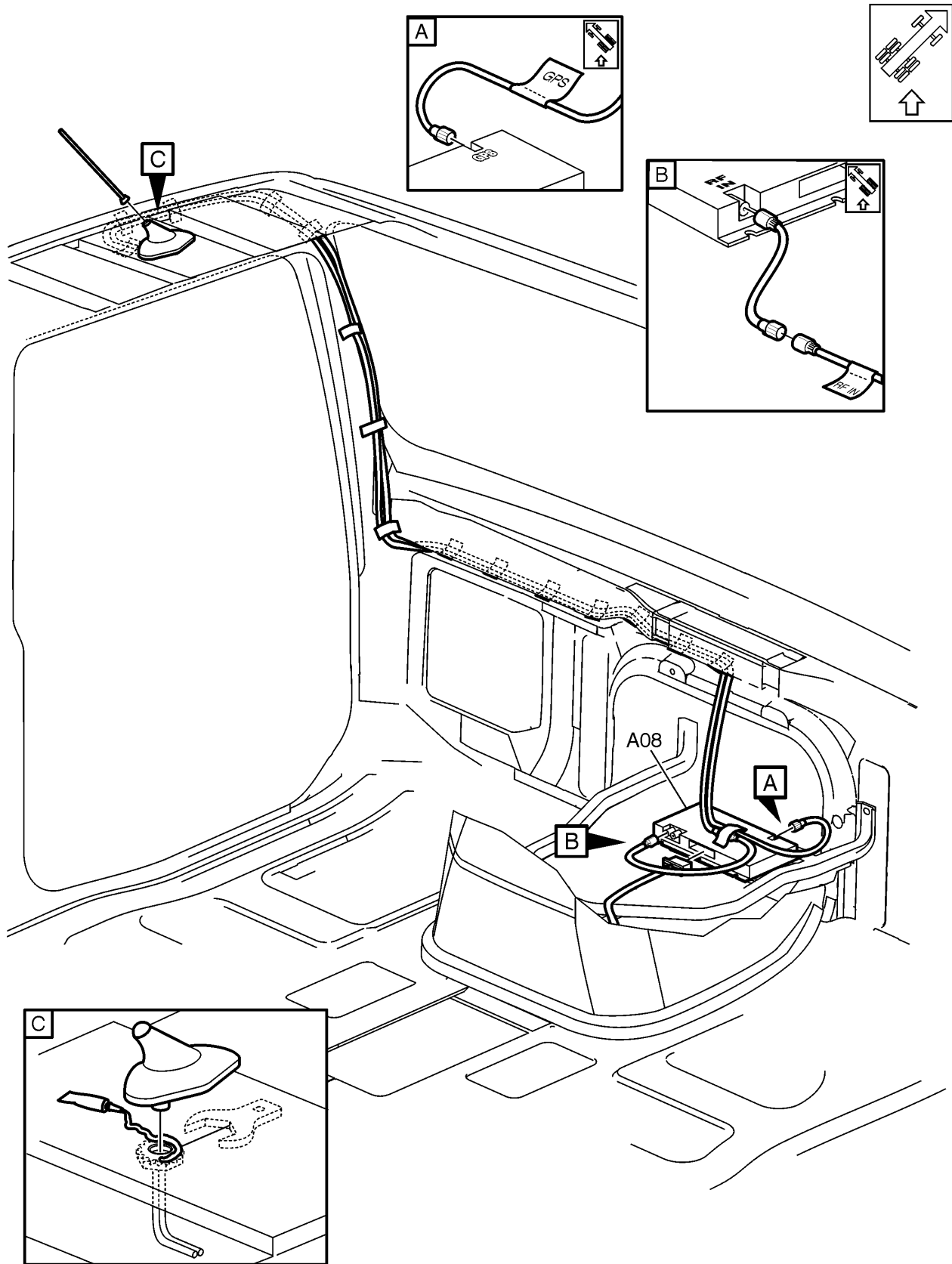
Sleeper Control Panel (LECM)



W3005951

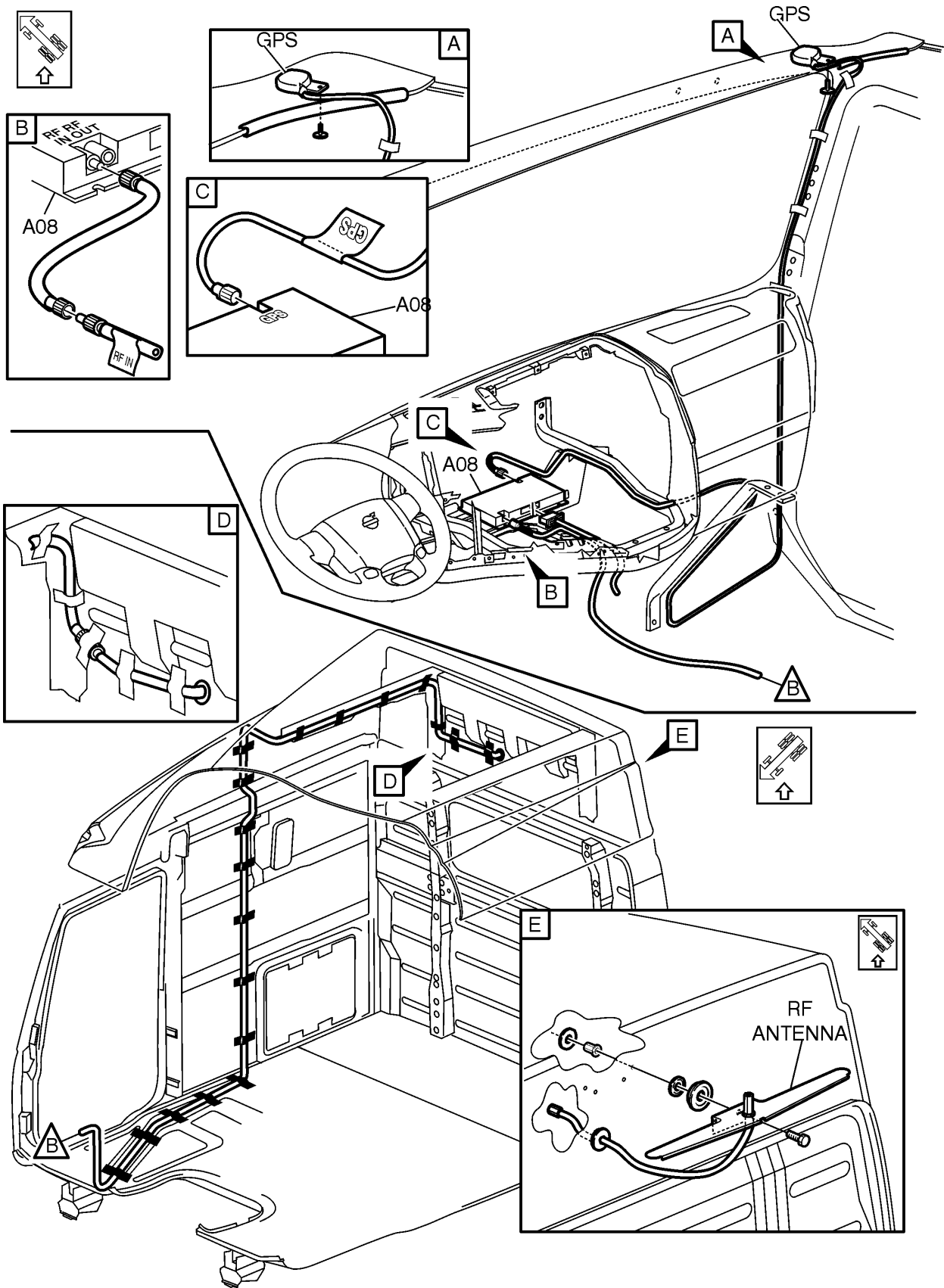
Volvo Link Harness and Antennas

Volvo Link Harness and Antennas, Day Cab



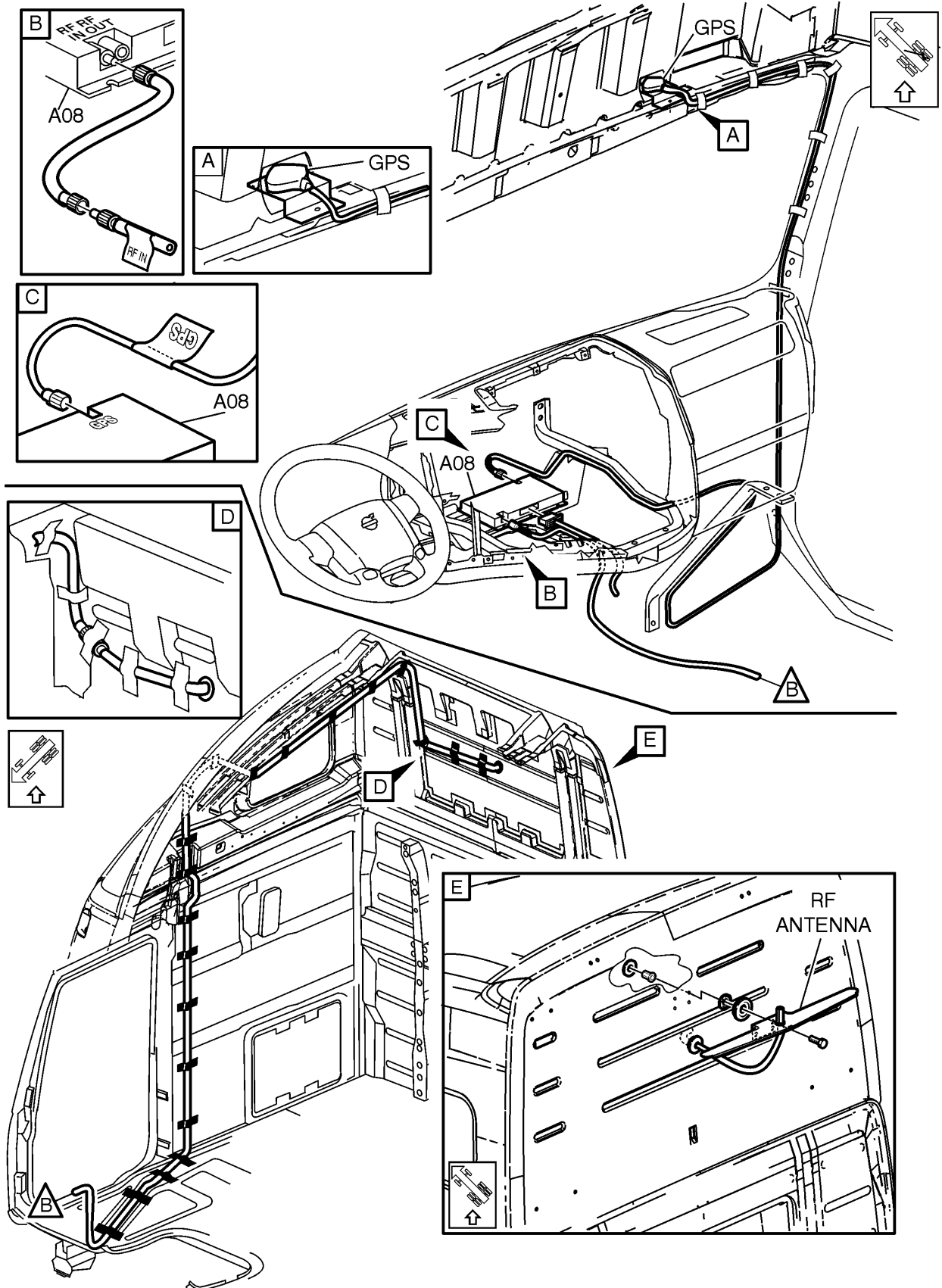
W3006516

Volvo Link Harness and Antennas, 630 Sleeper Cab



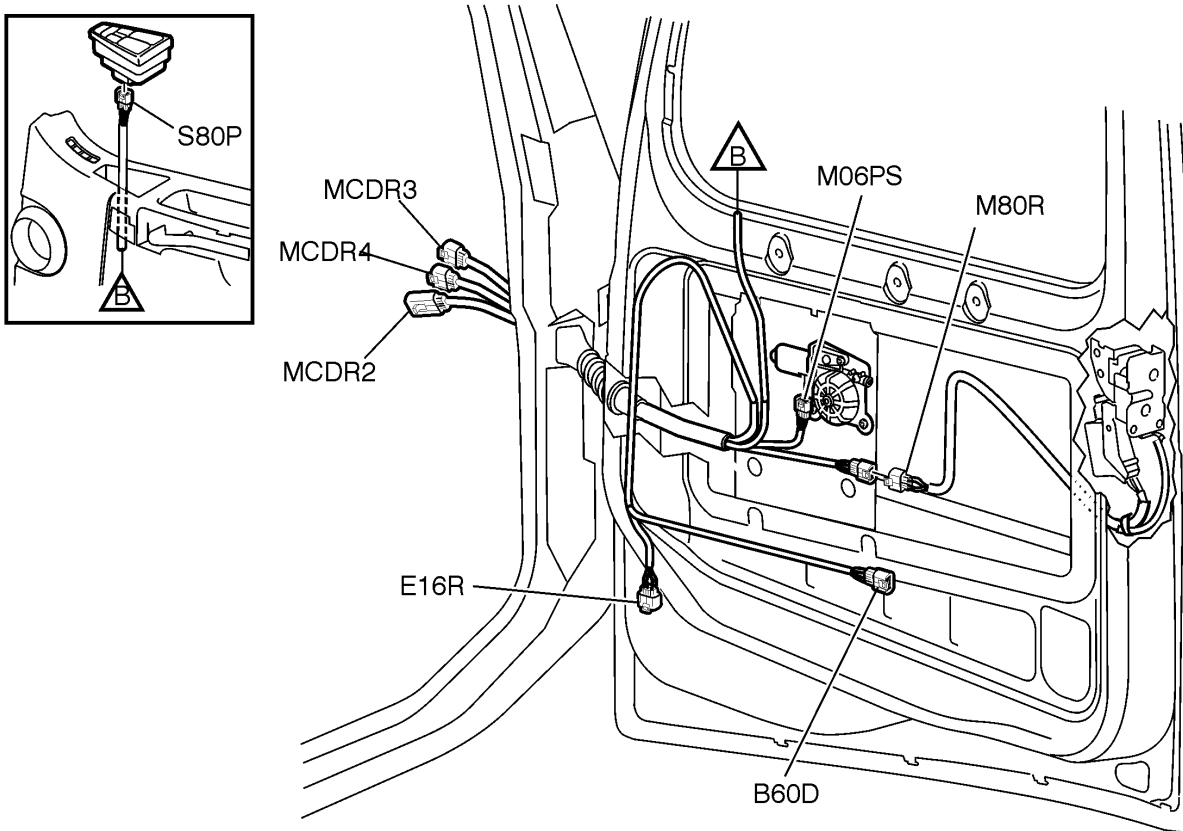
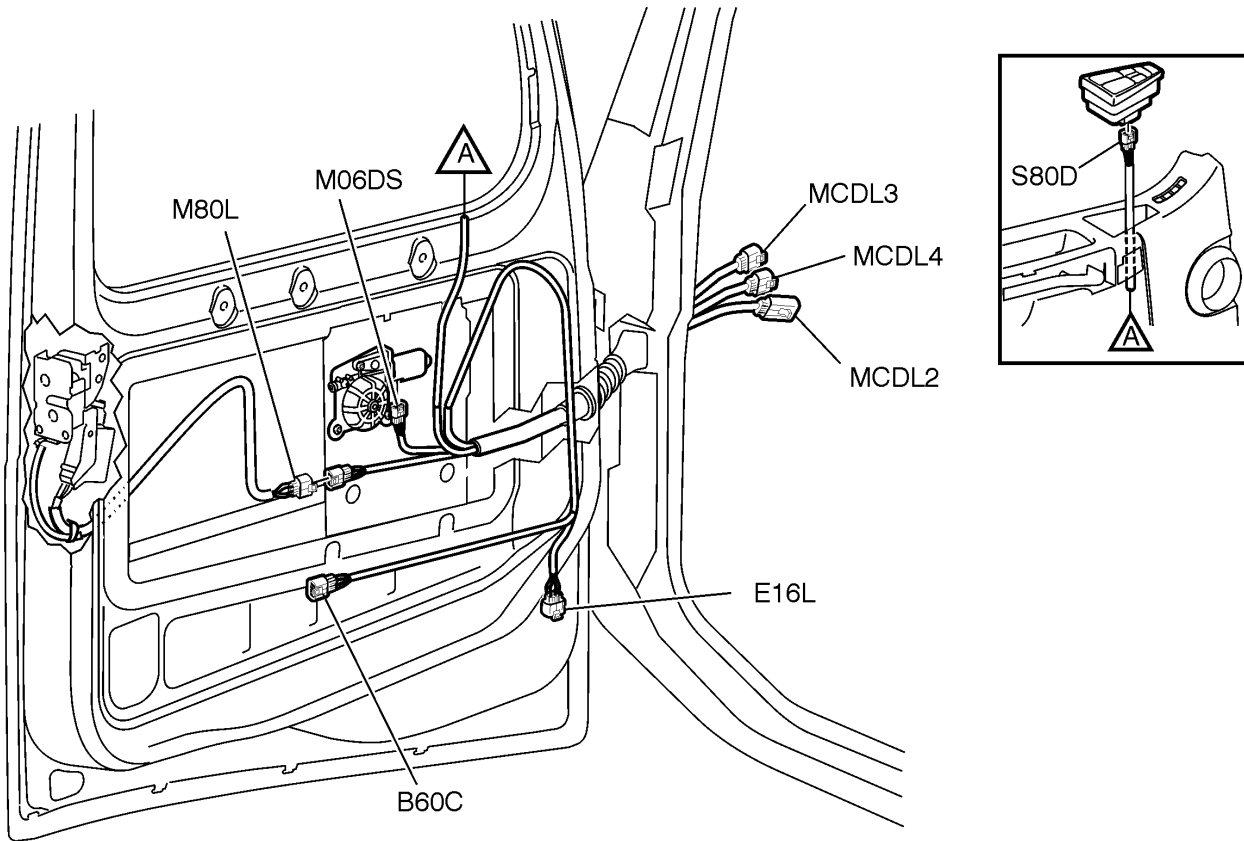
W3006396

Volvo Link Harness and Antennas, 670/780 Sleeper Cab



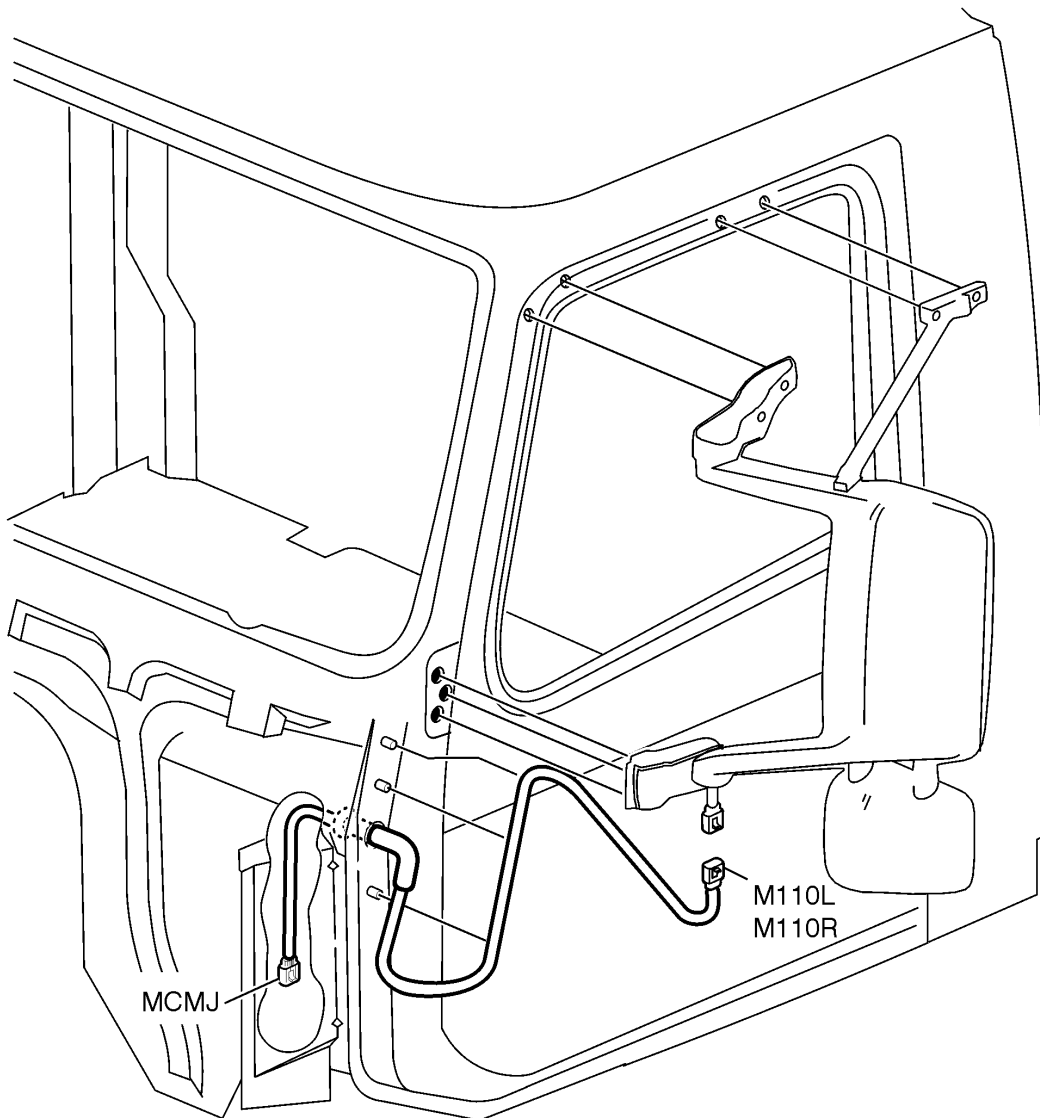
W3006397

Door Harness



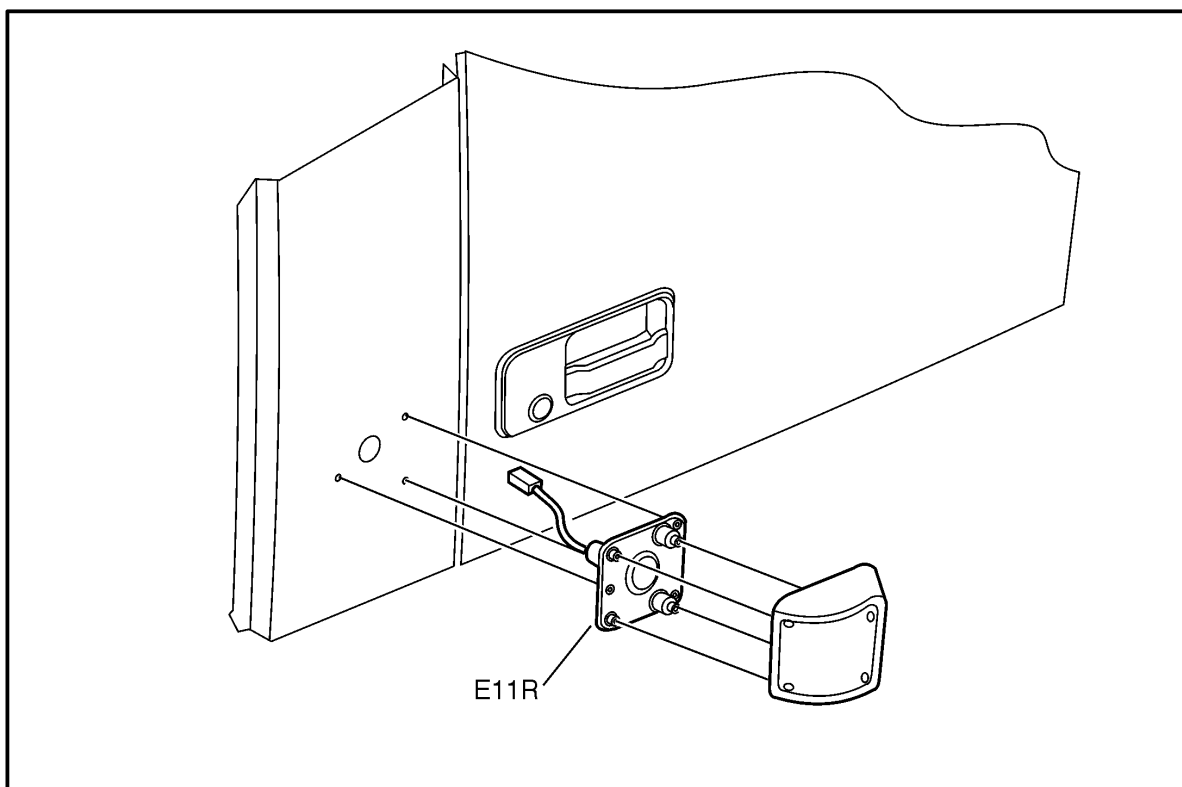
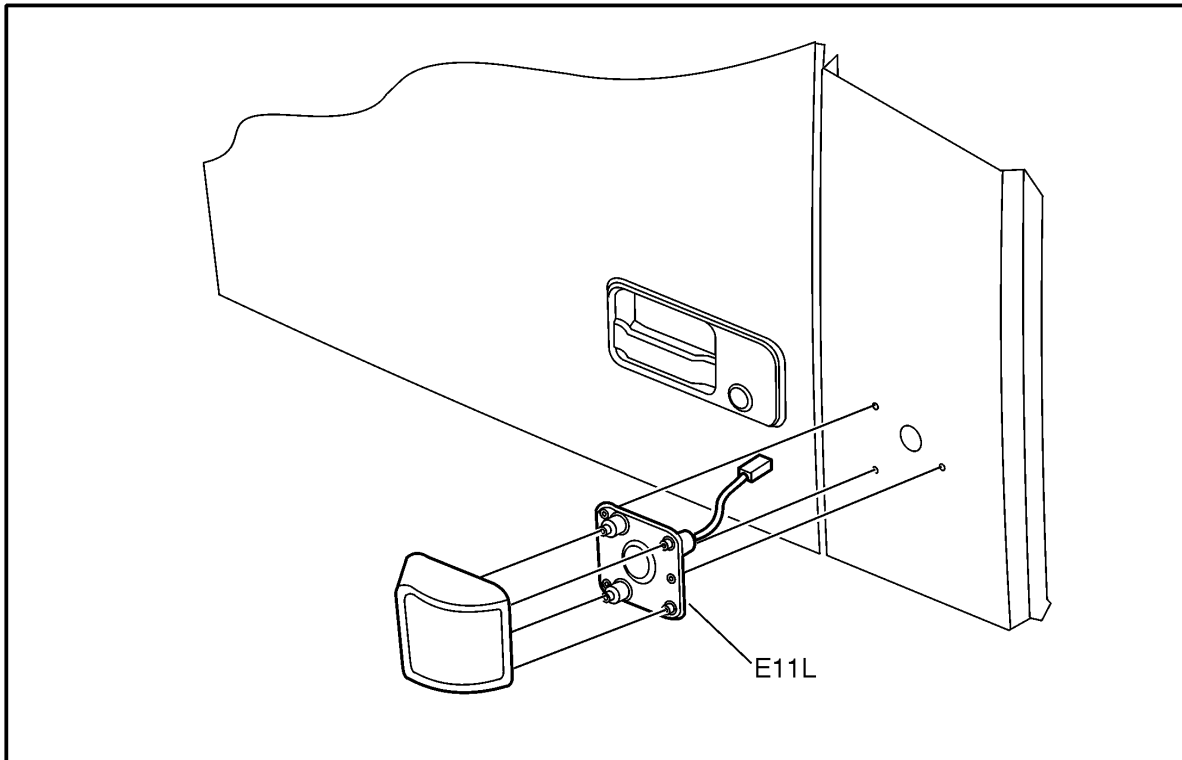
W3005921

Side Mirrors

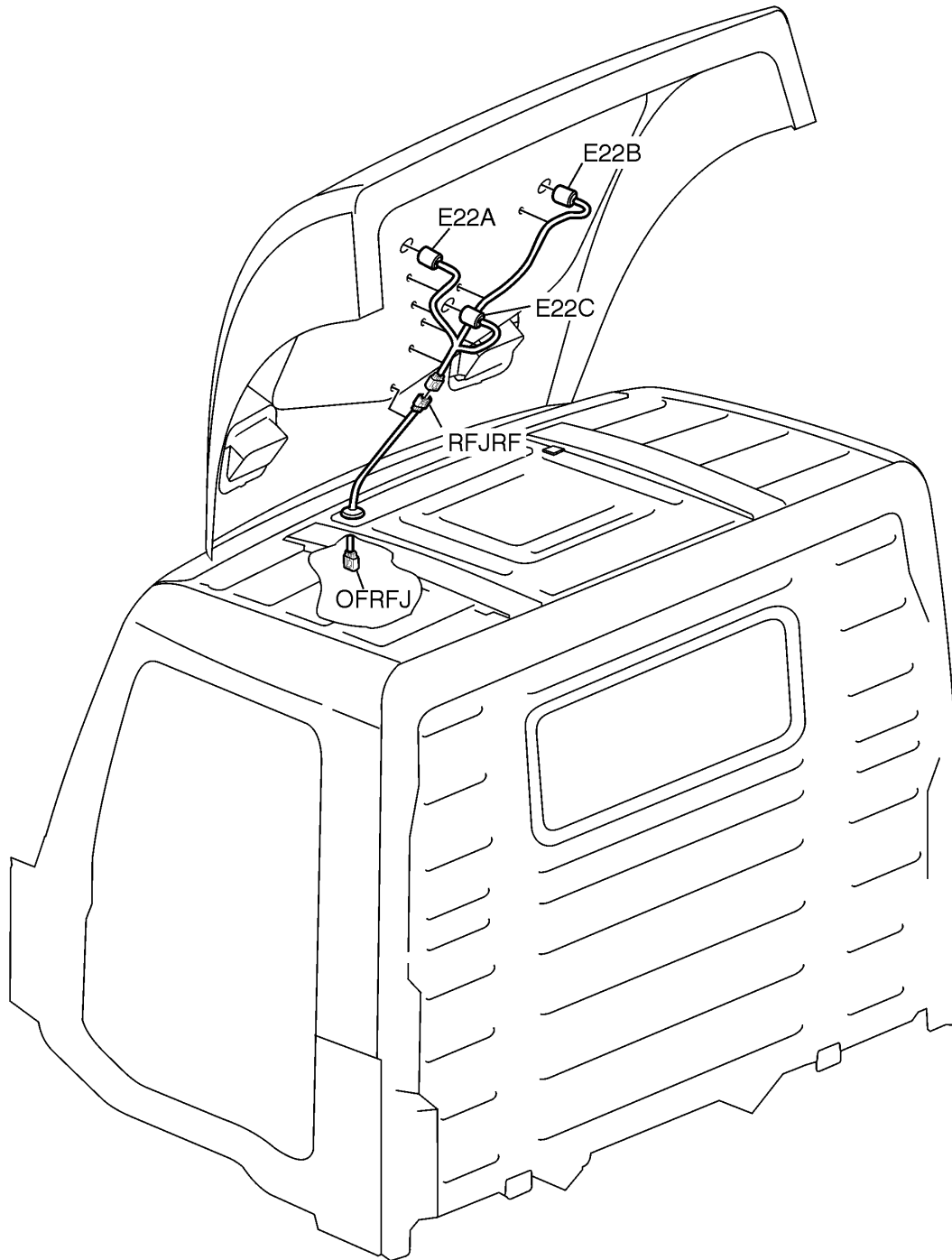


W3006633

Side Markers

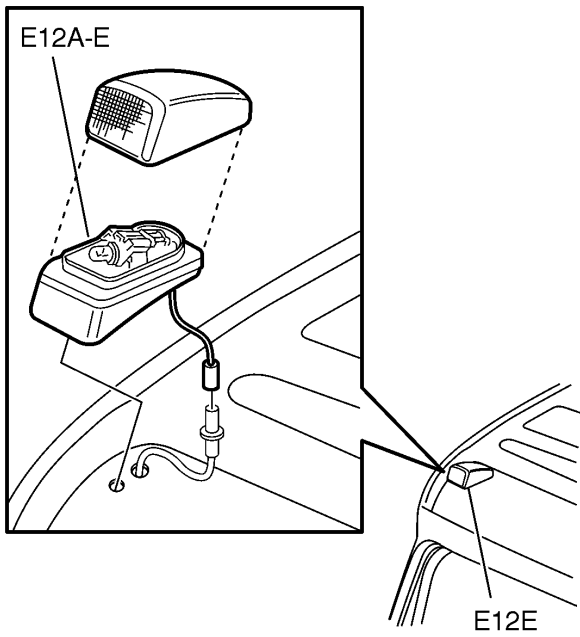
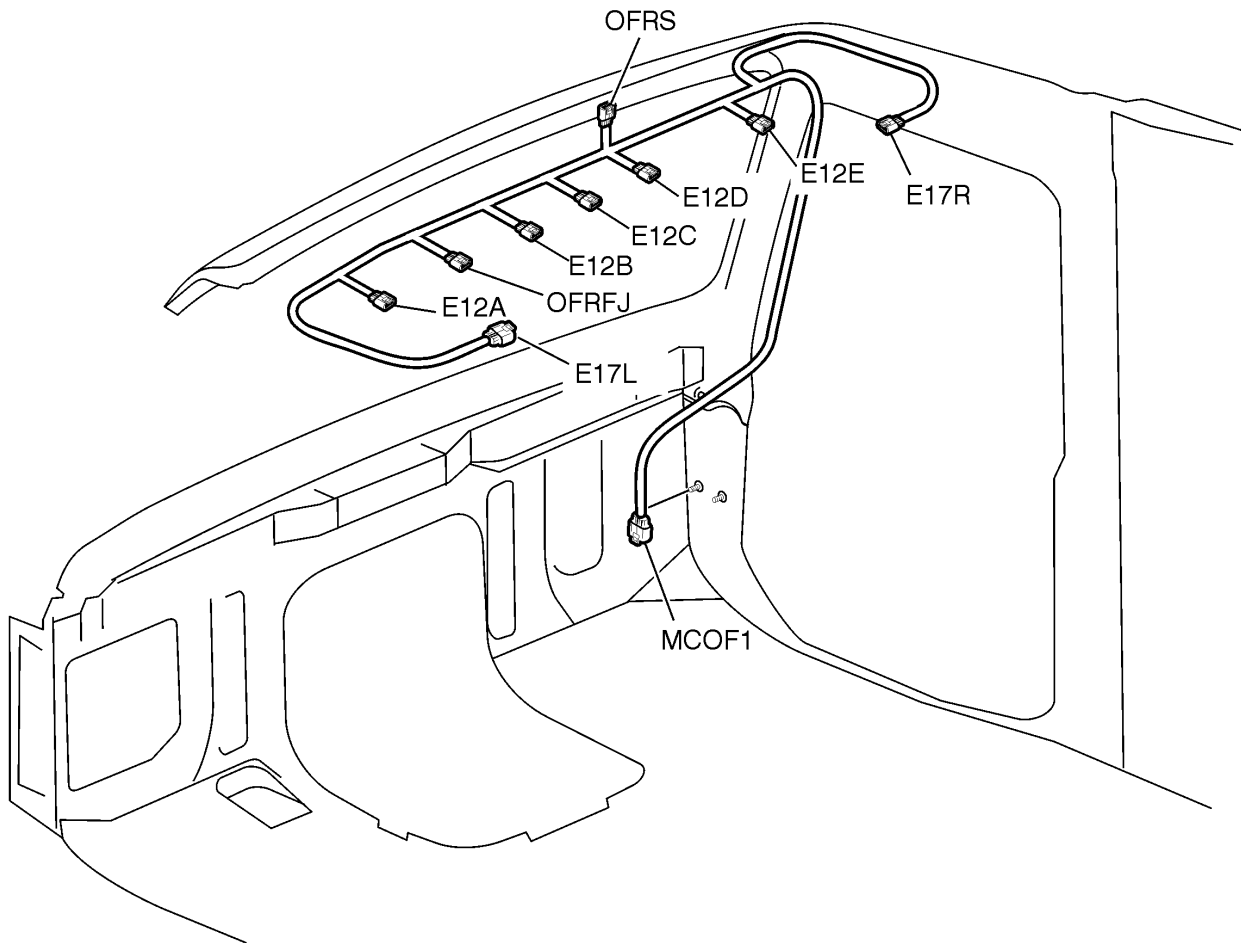


Roof Sign Harness



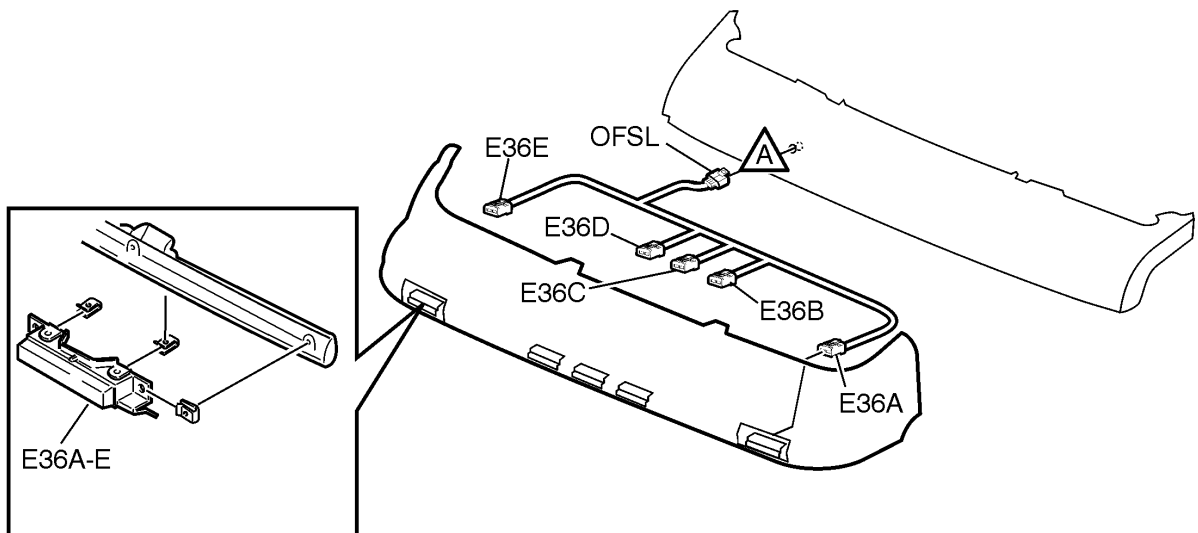
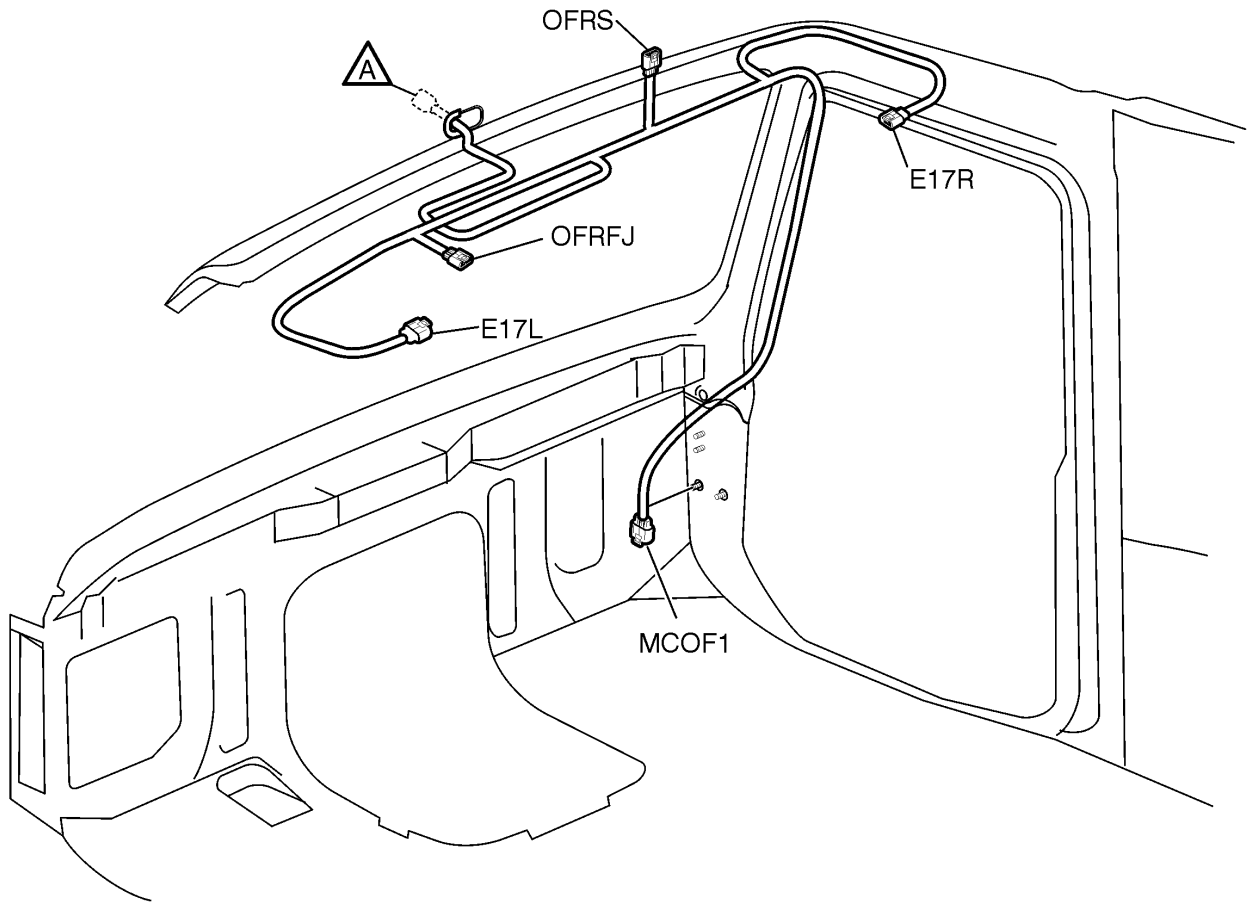
W3005923

Overhead Marker Lights



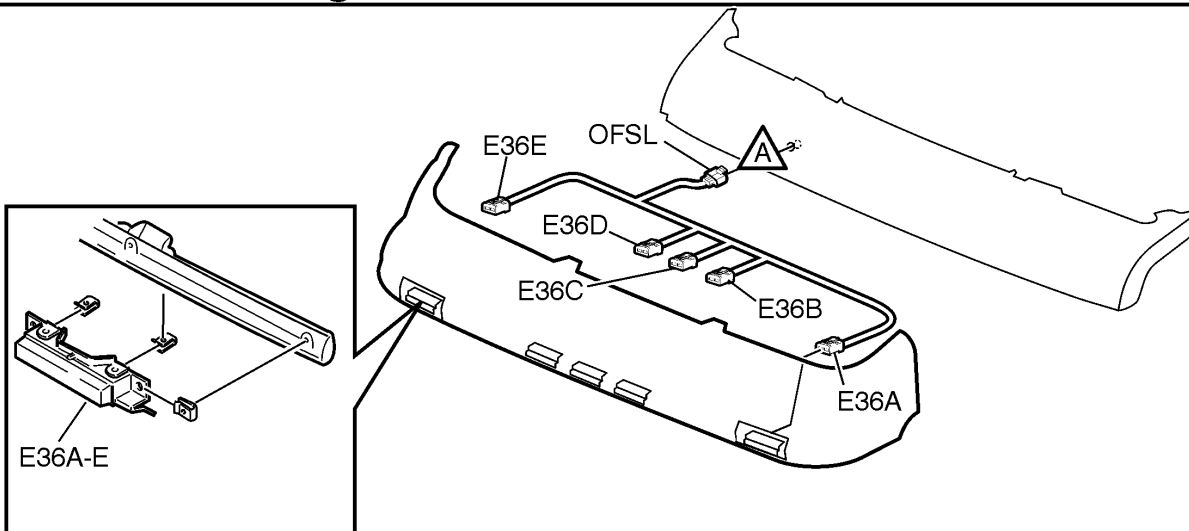
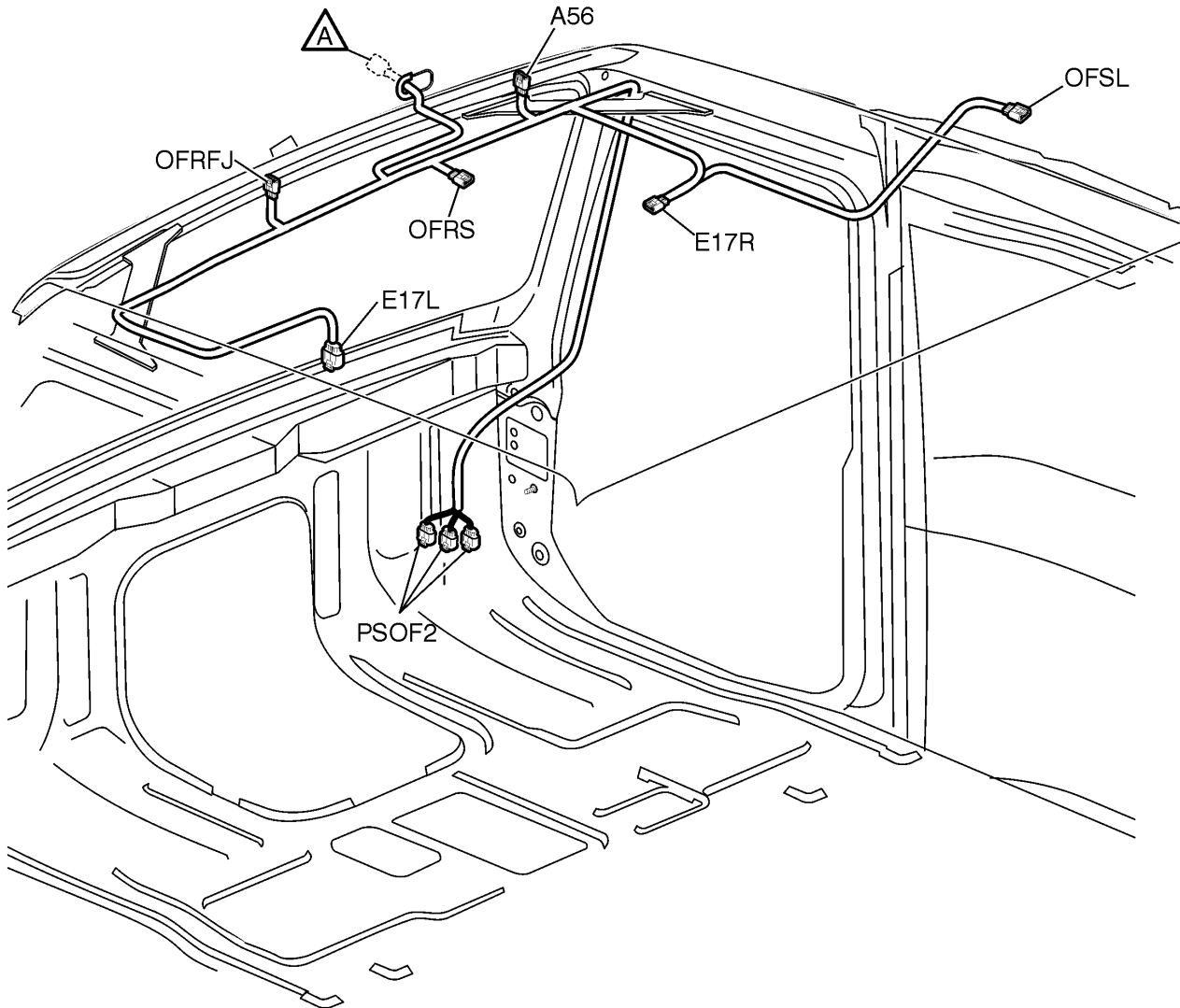
W3005924

Sunvisor Harness (Daycab, VN430 and 630)



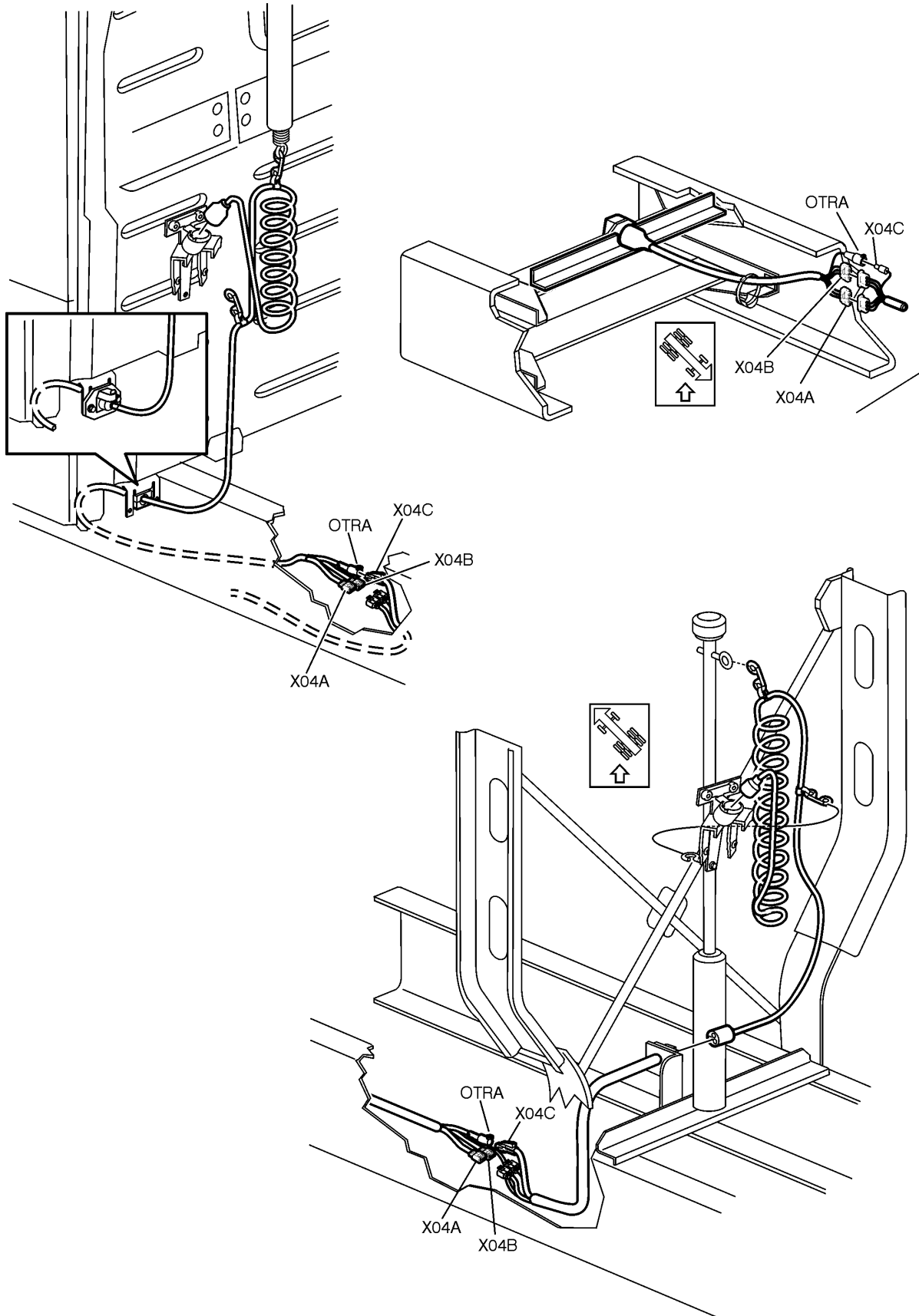
W3005925

Sunvisor Harness (VN670 and 780)



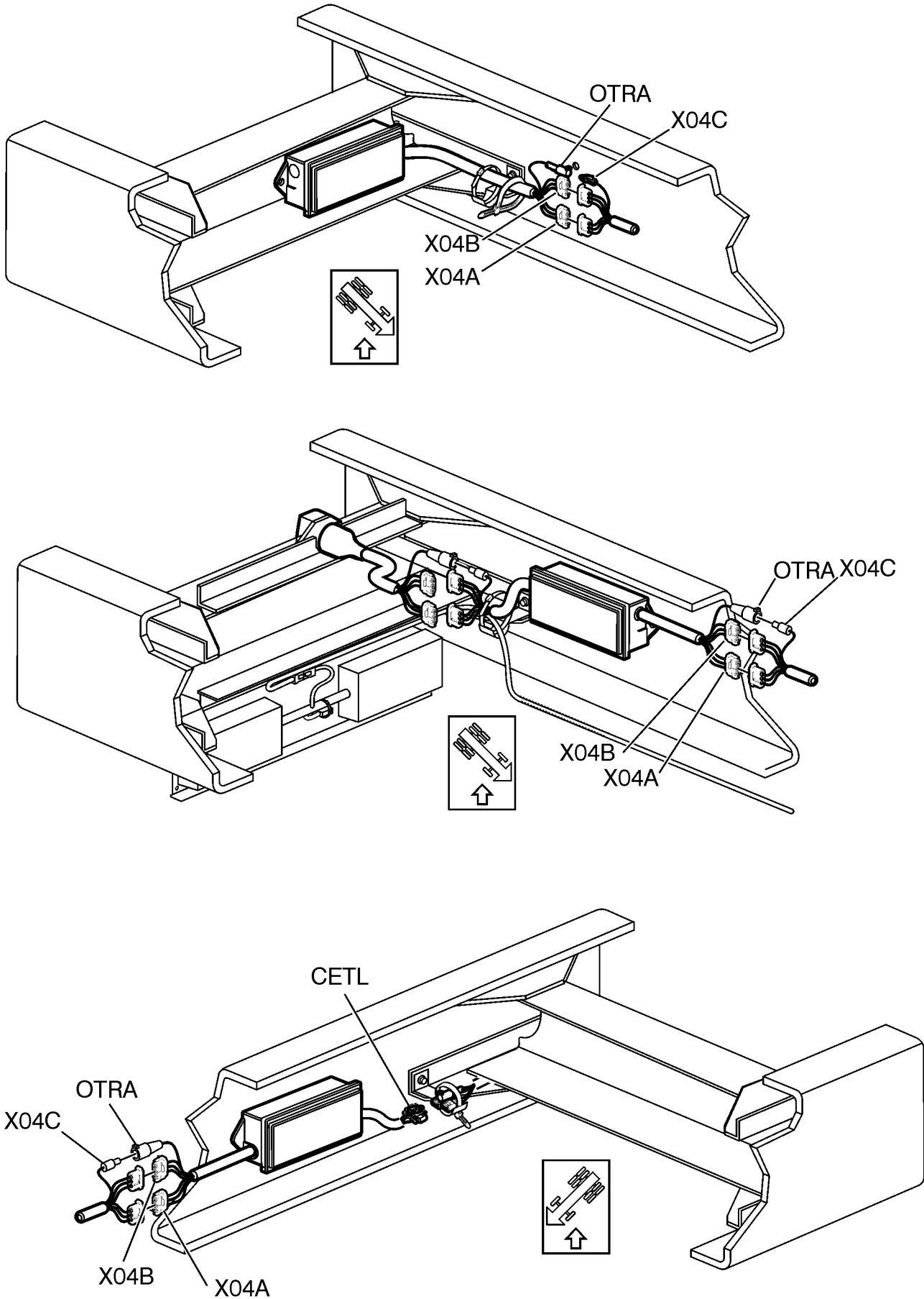
W3005929

Trailer Cable Connections



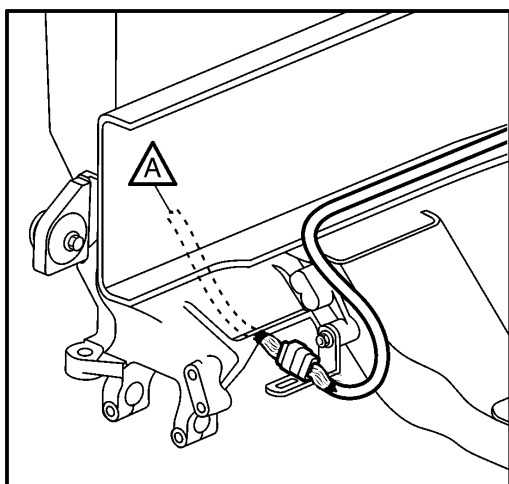
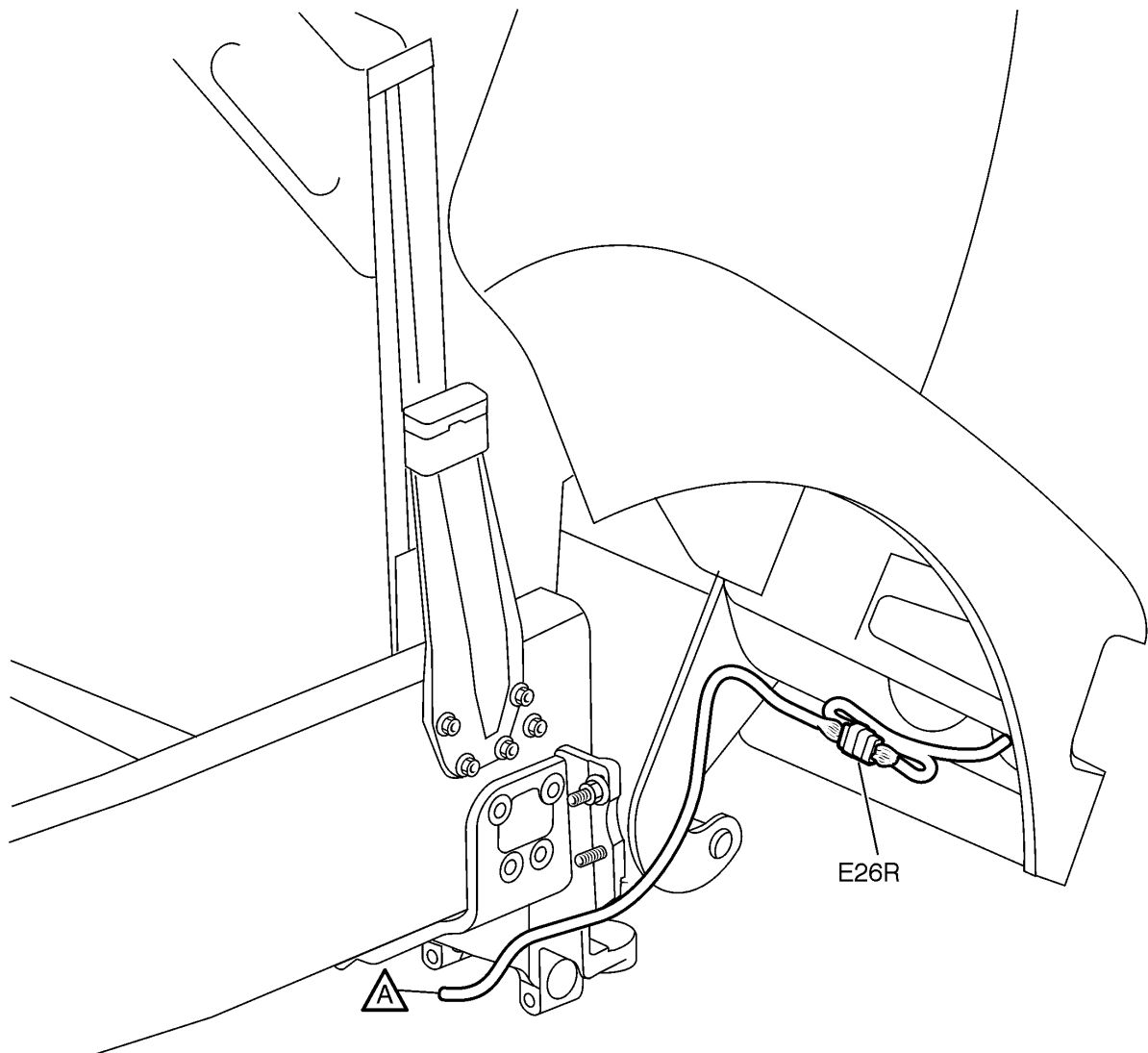
W3006893

Bodybuilder Box, VHD

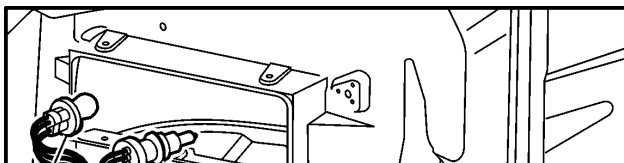
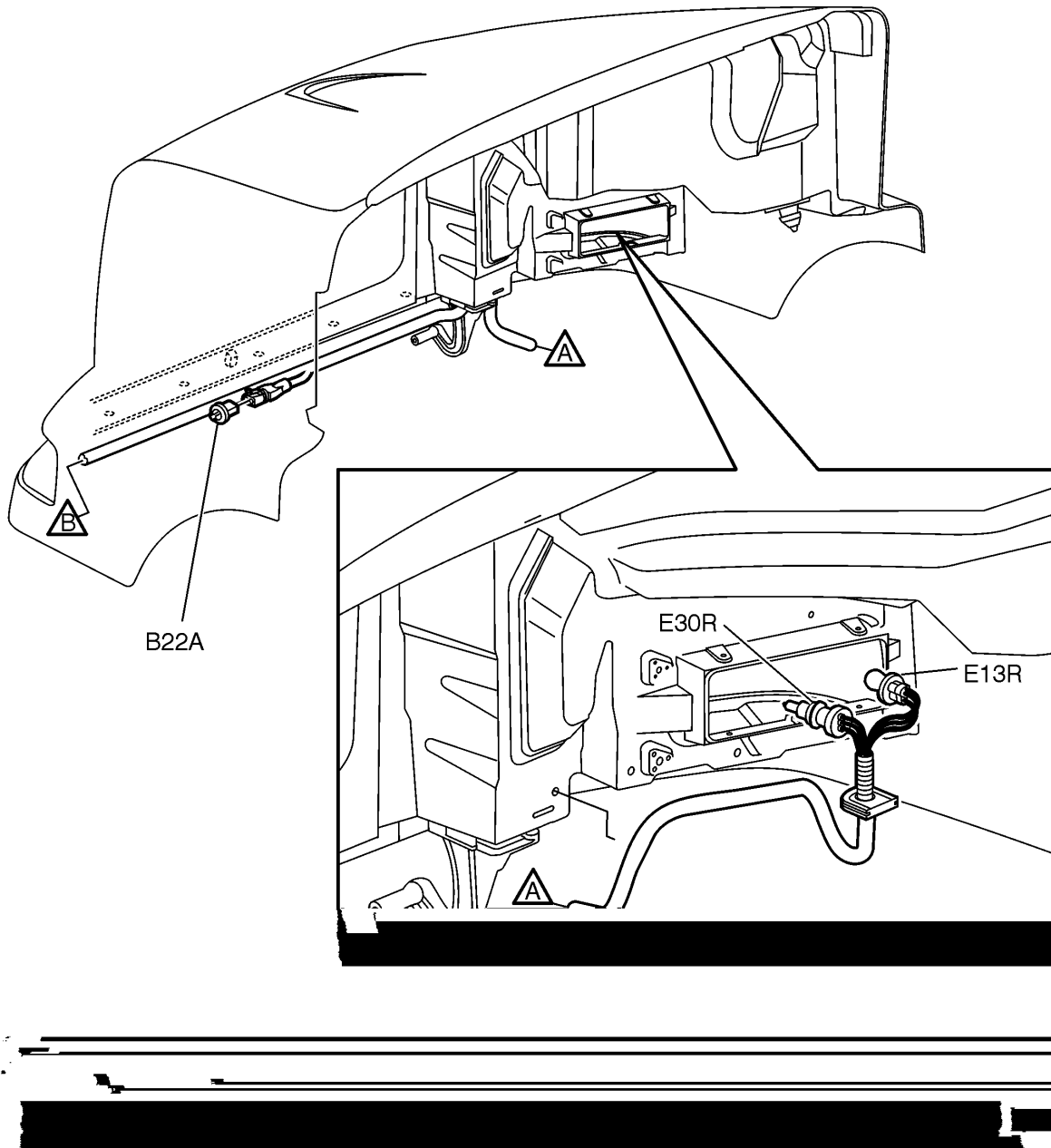


W3006894

Headlight Harness, VHD

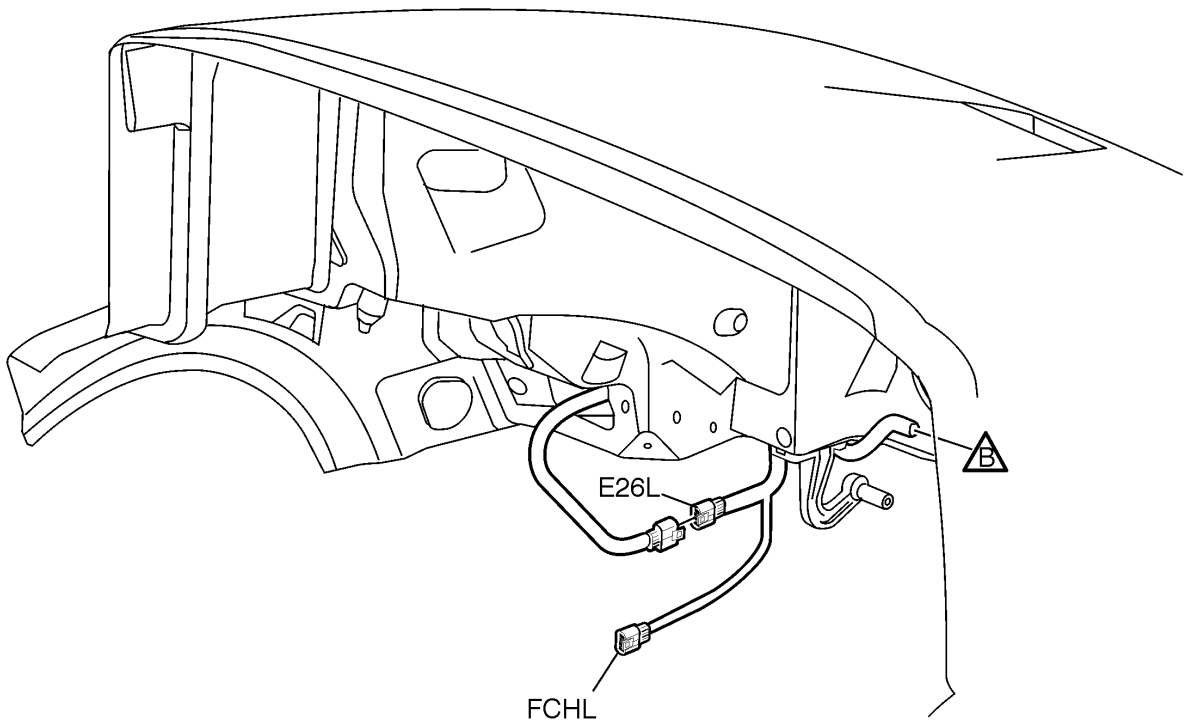
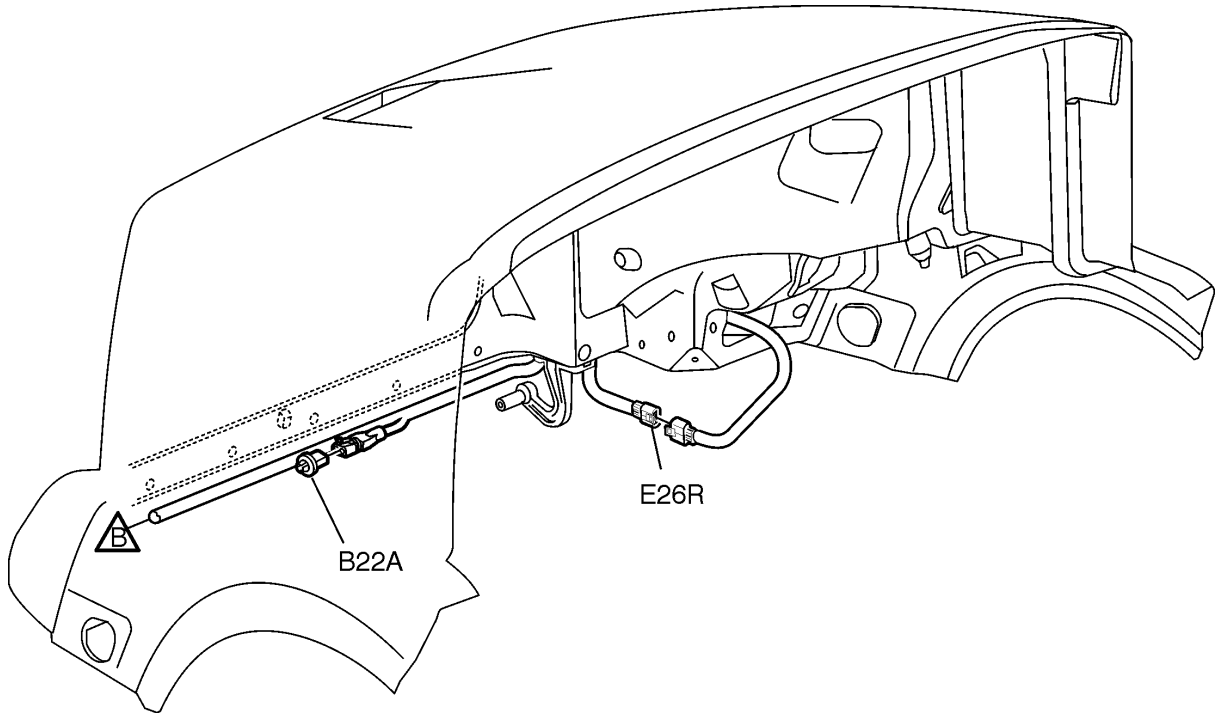


Headlight Harness, VNM



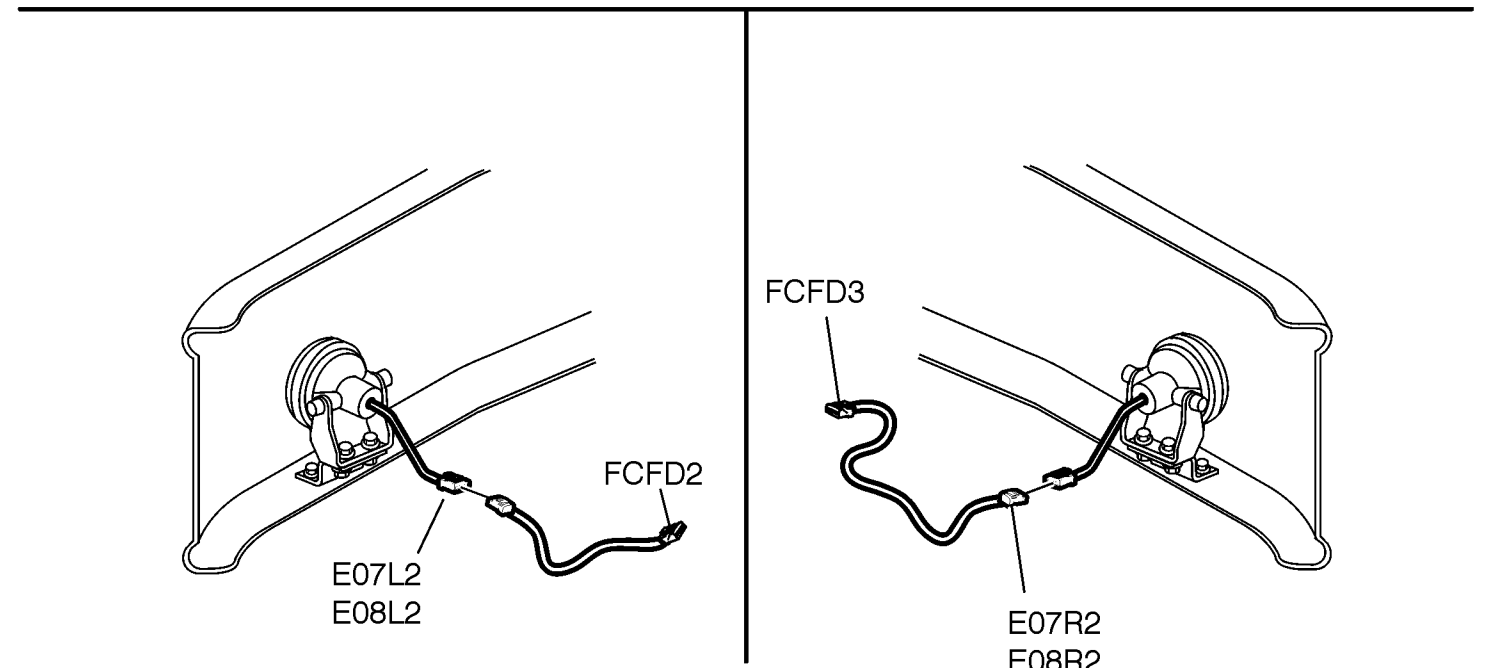
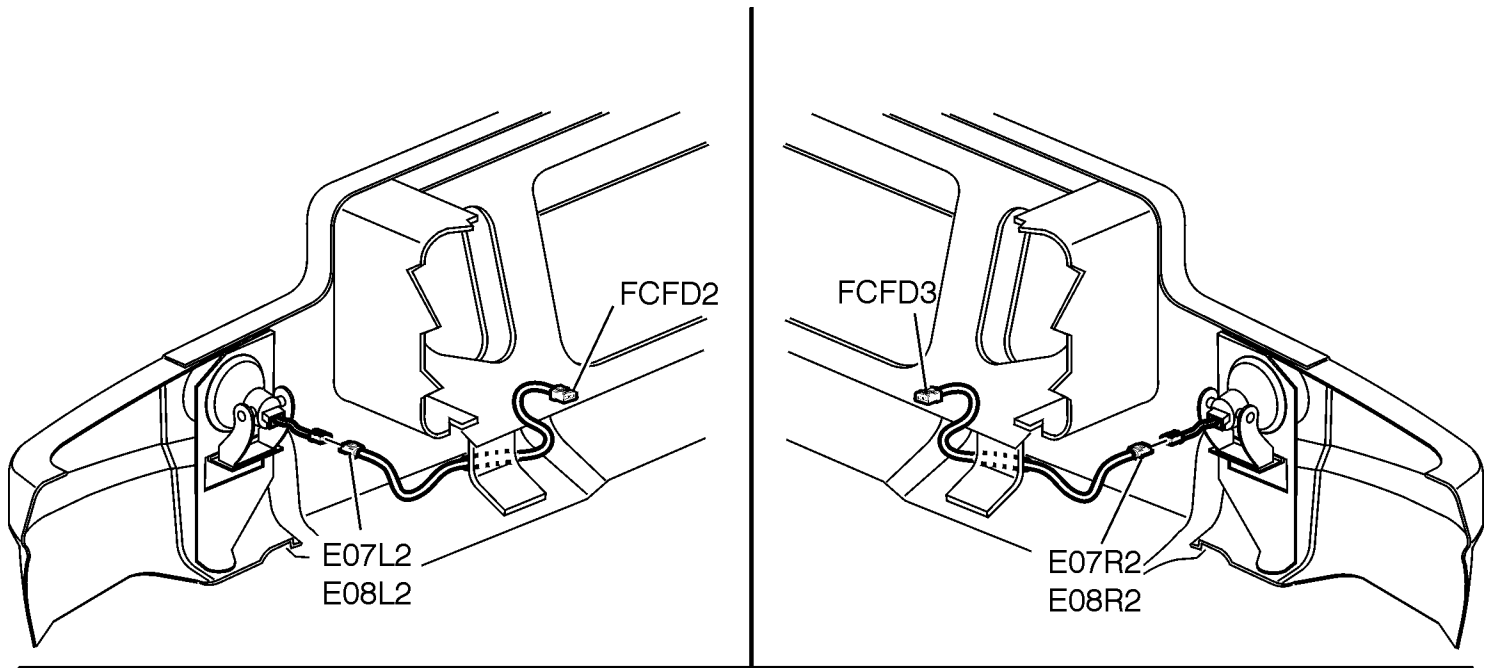
W3006895

Headlight Harness, VNL



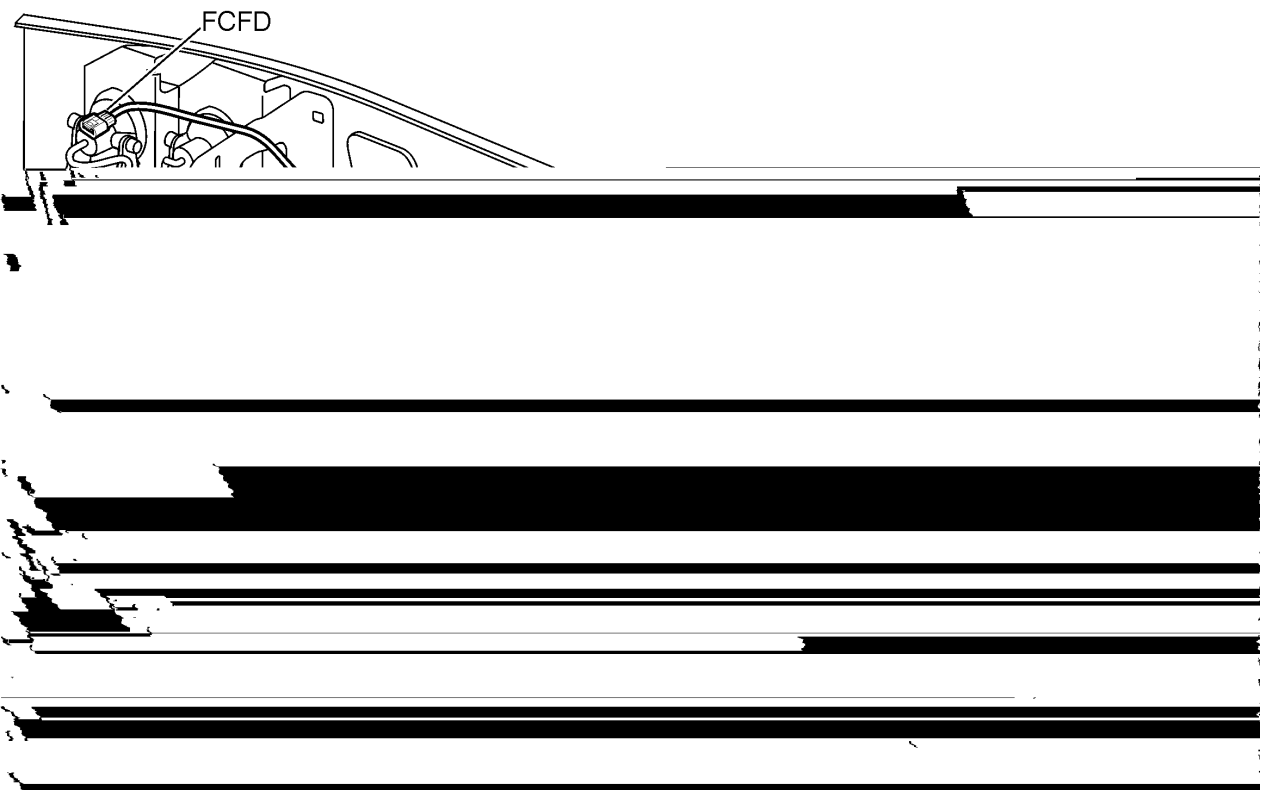
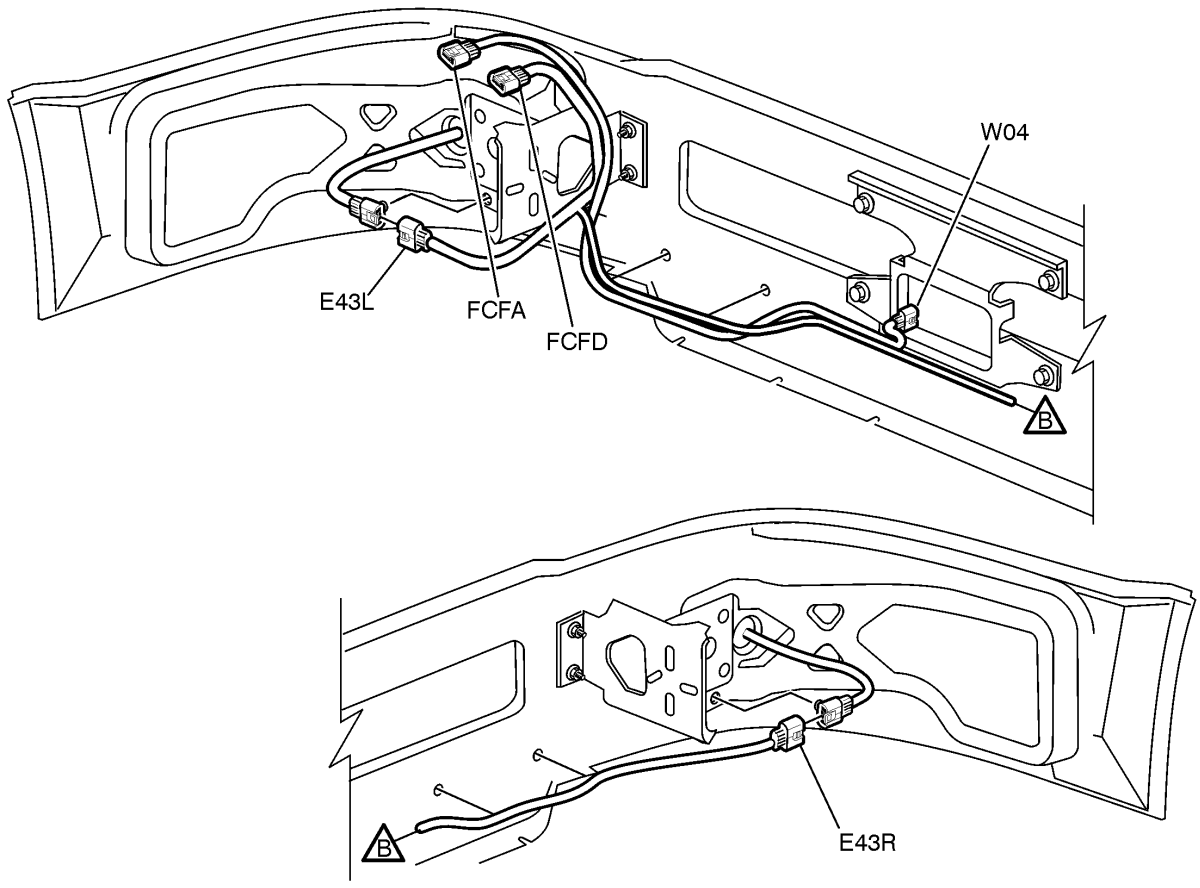
W3006896

Fog and Driving Lights, VHD



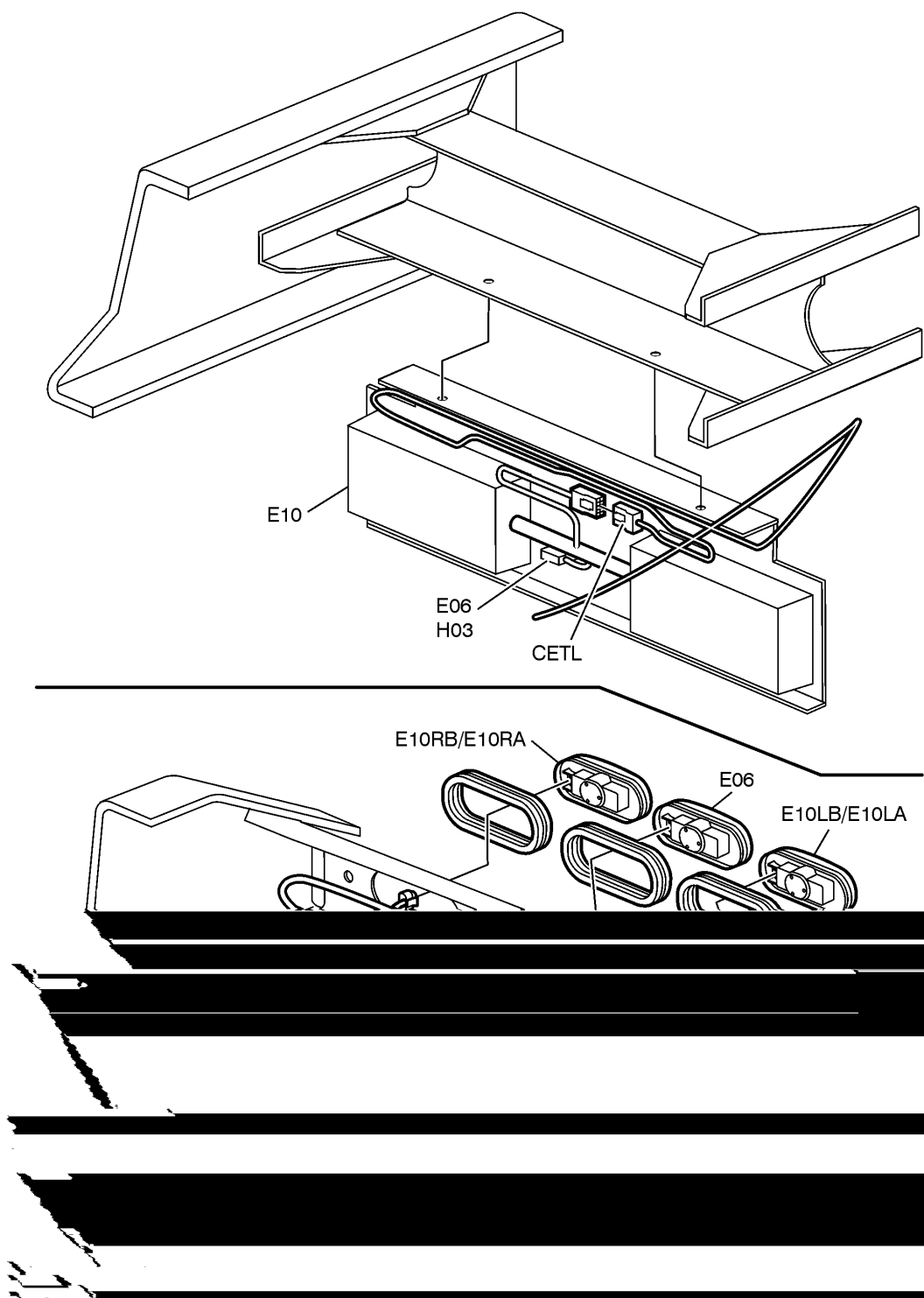
W3005952

Fog and Driving Lights, VNL and VNM



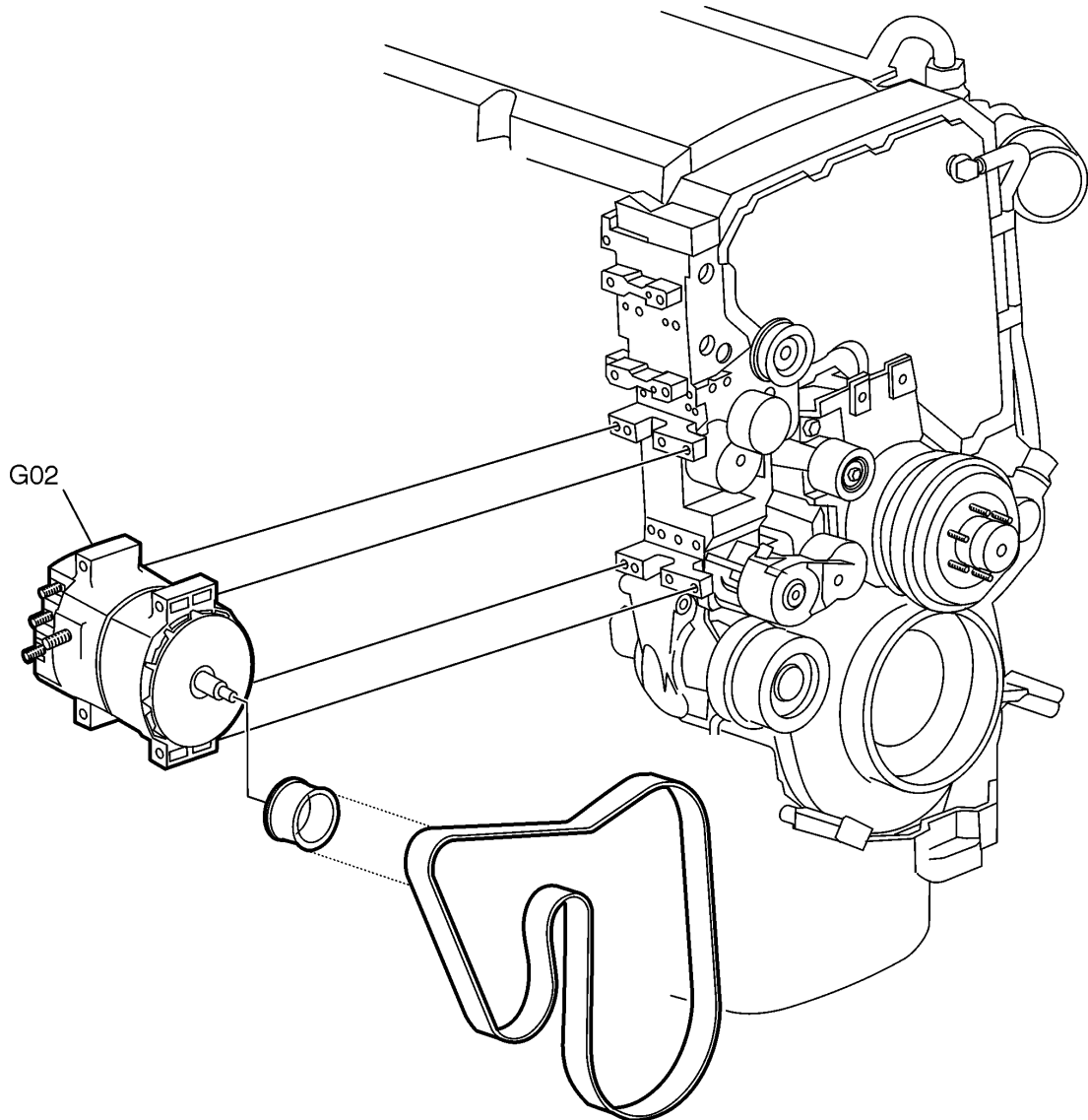
W3005933

Tail lights



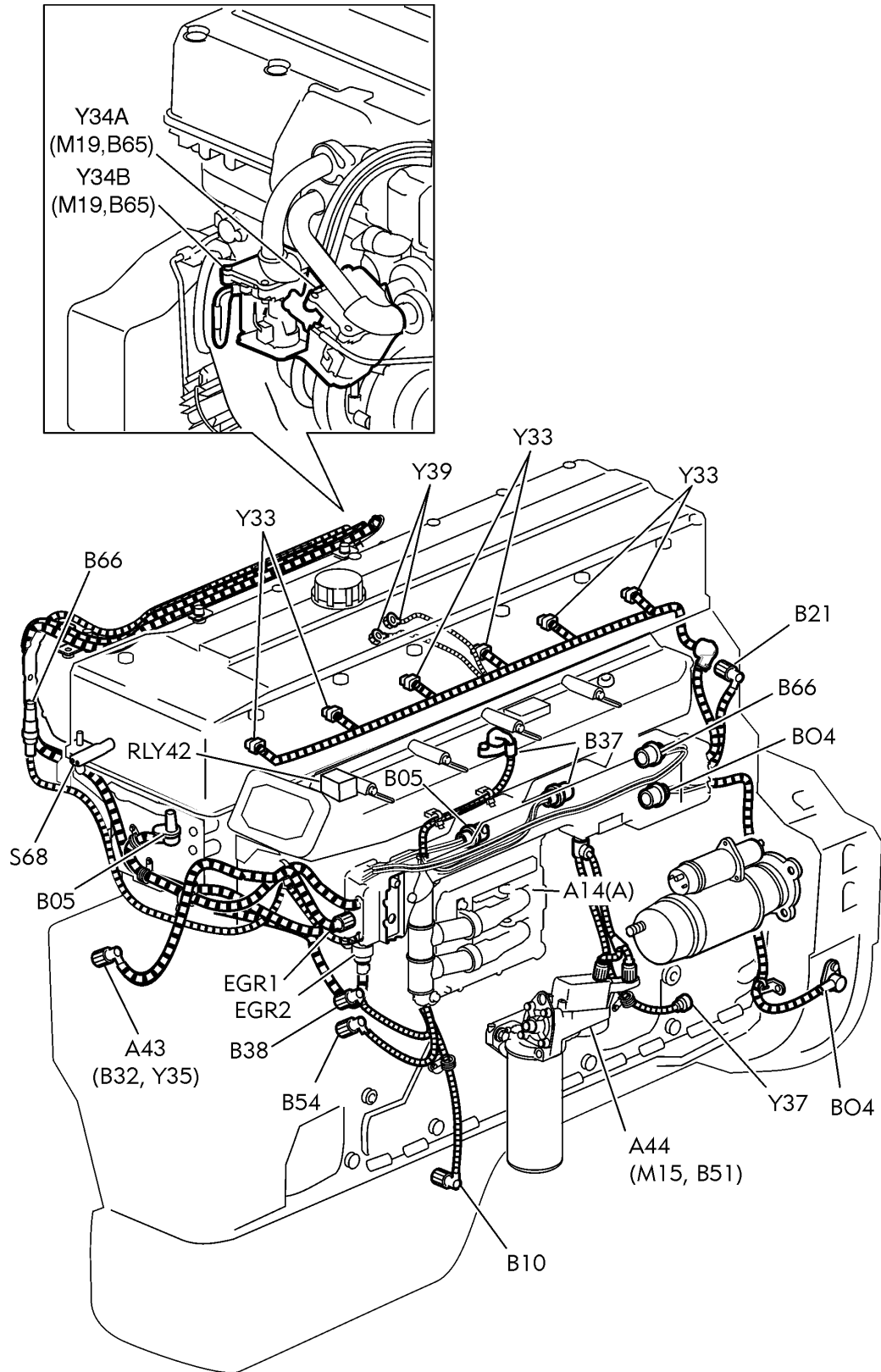
W3006897

Alternator (typical view)



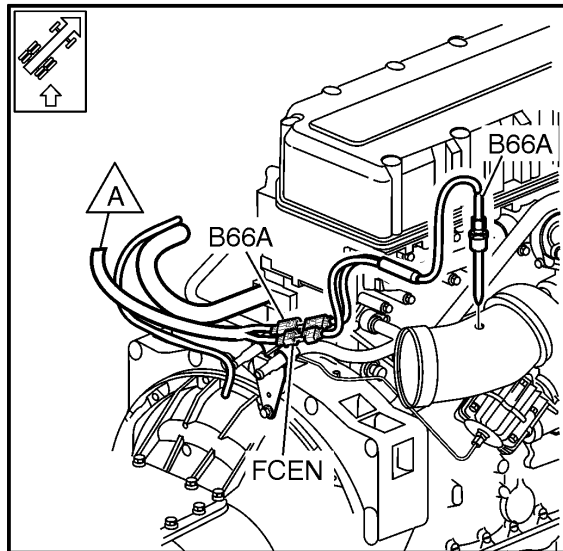
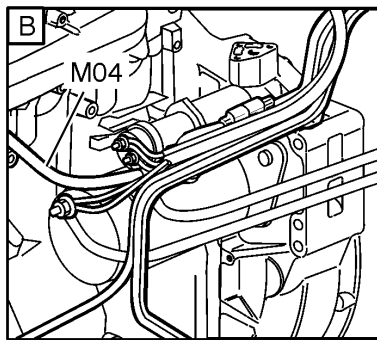
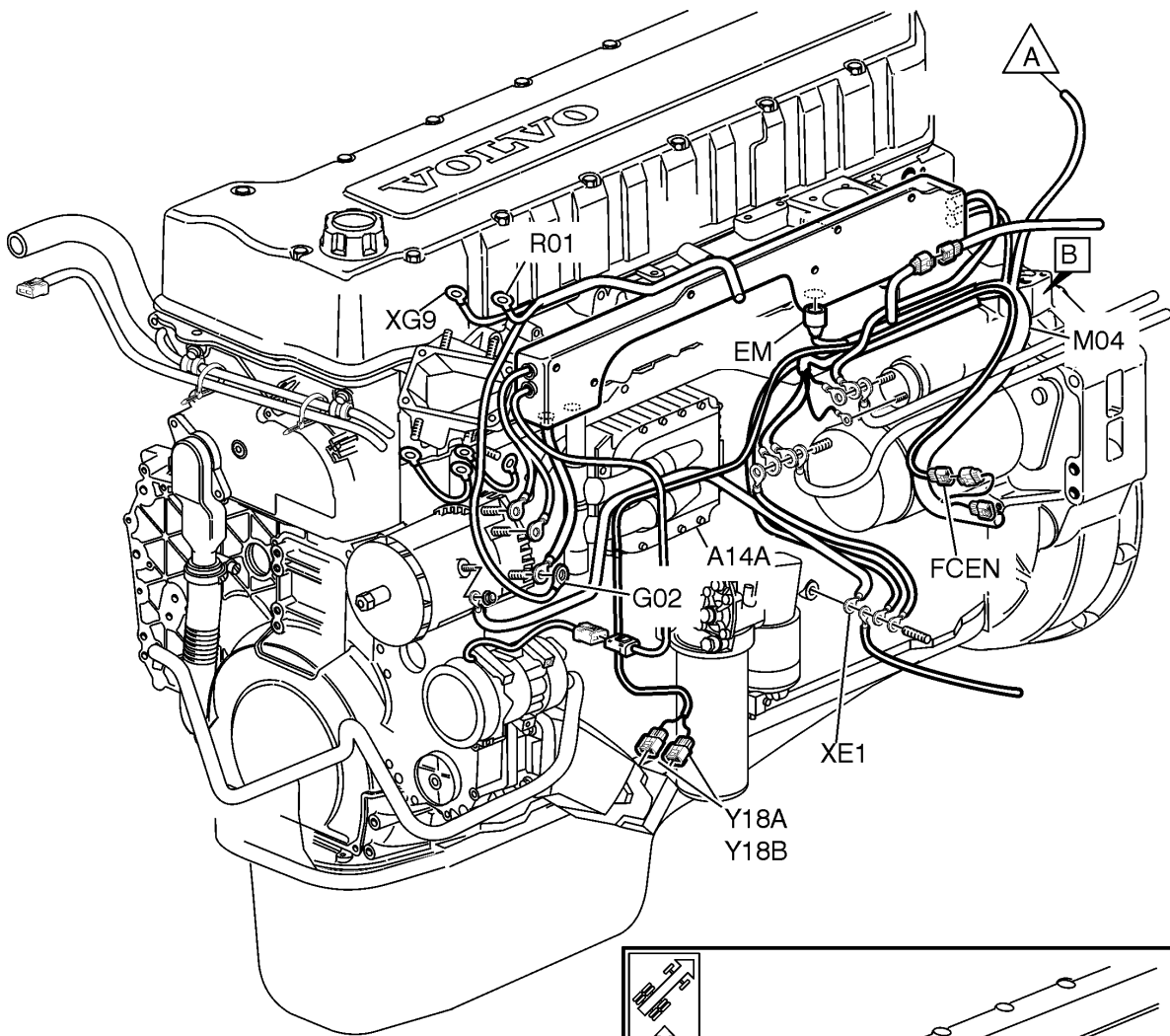
W3005908

D12D



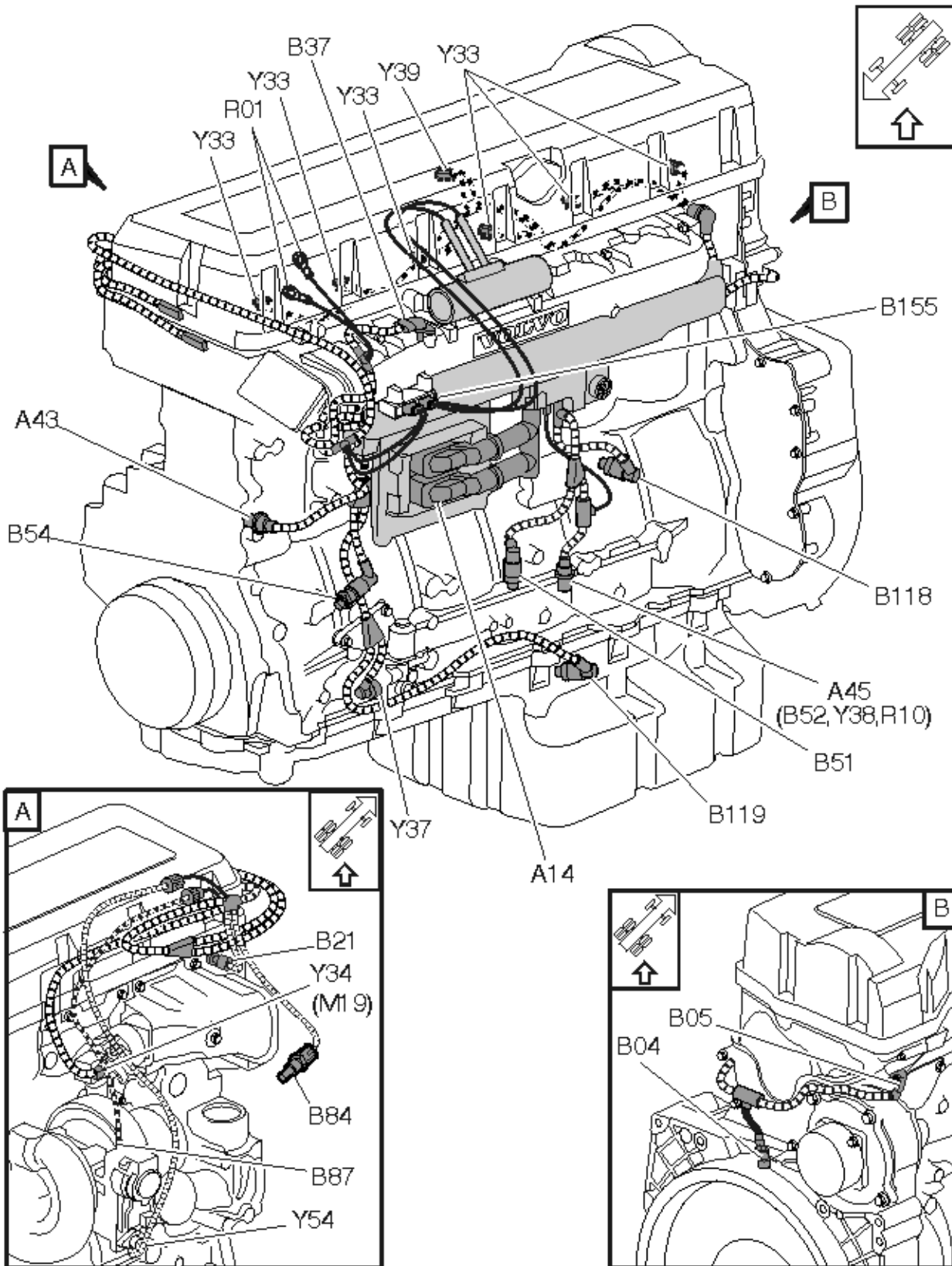
W3006510

D12D (Continued)



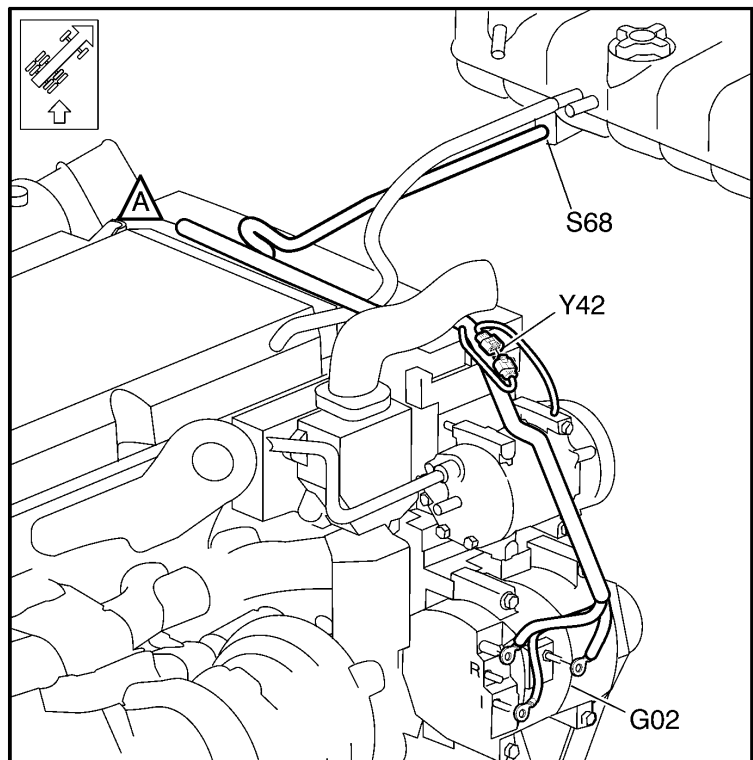
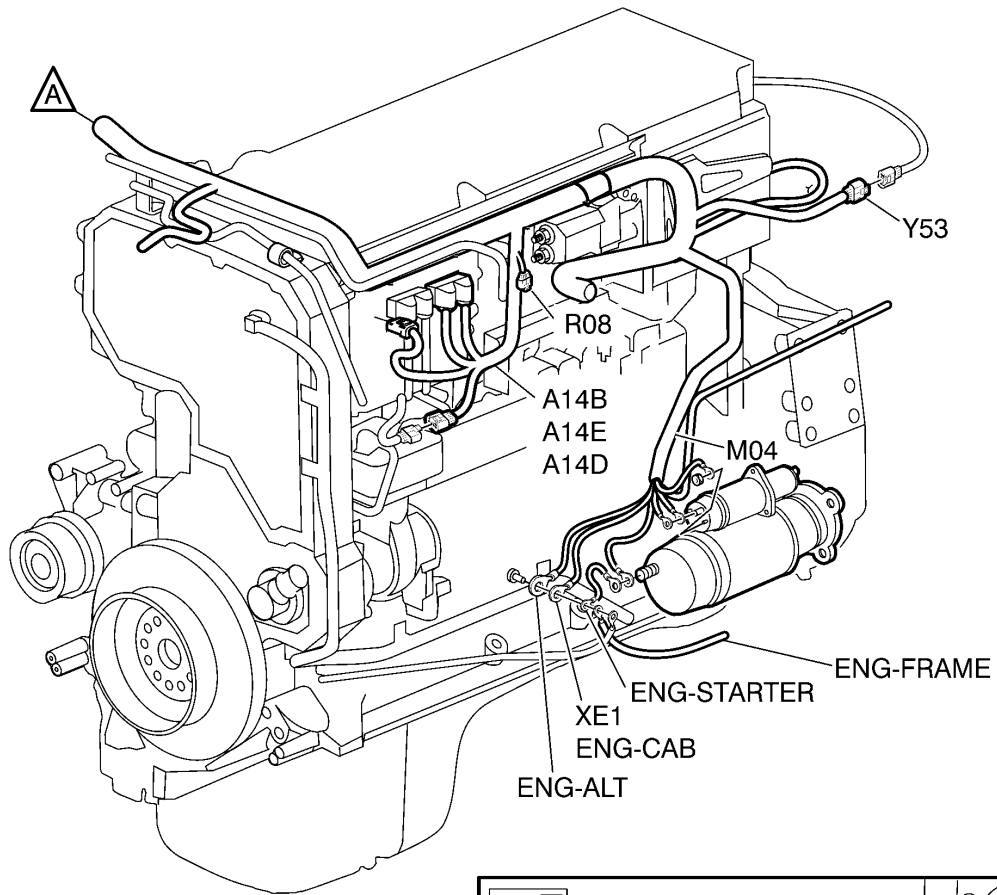
W3006513

D16D



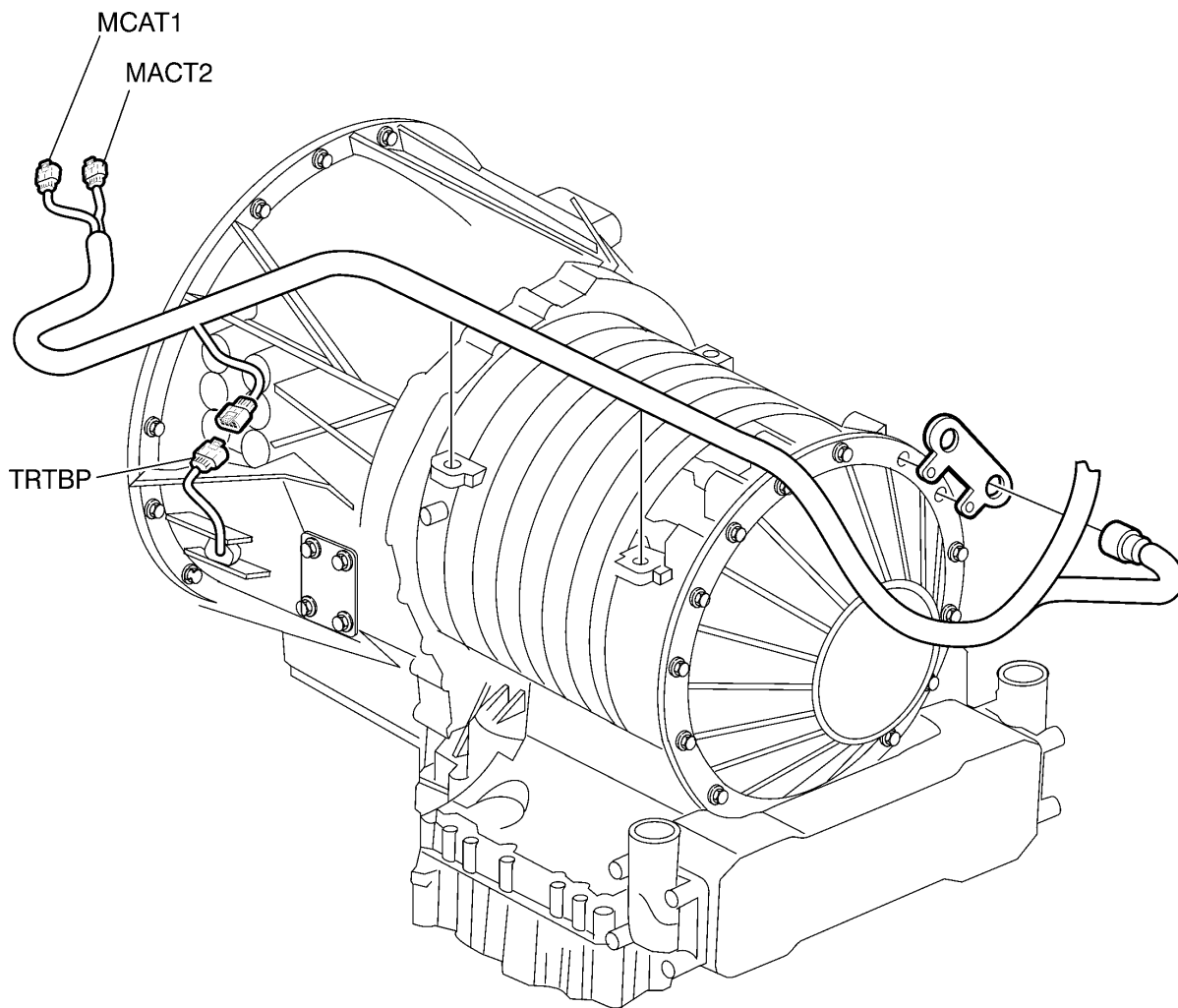
W3006882

Engine, Cummins ISX



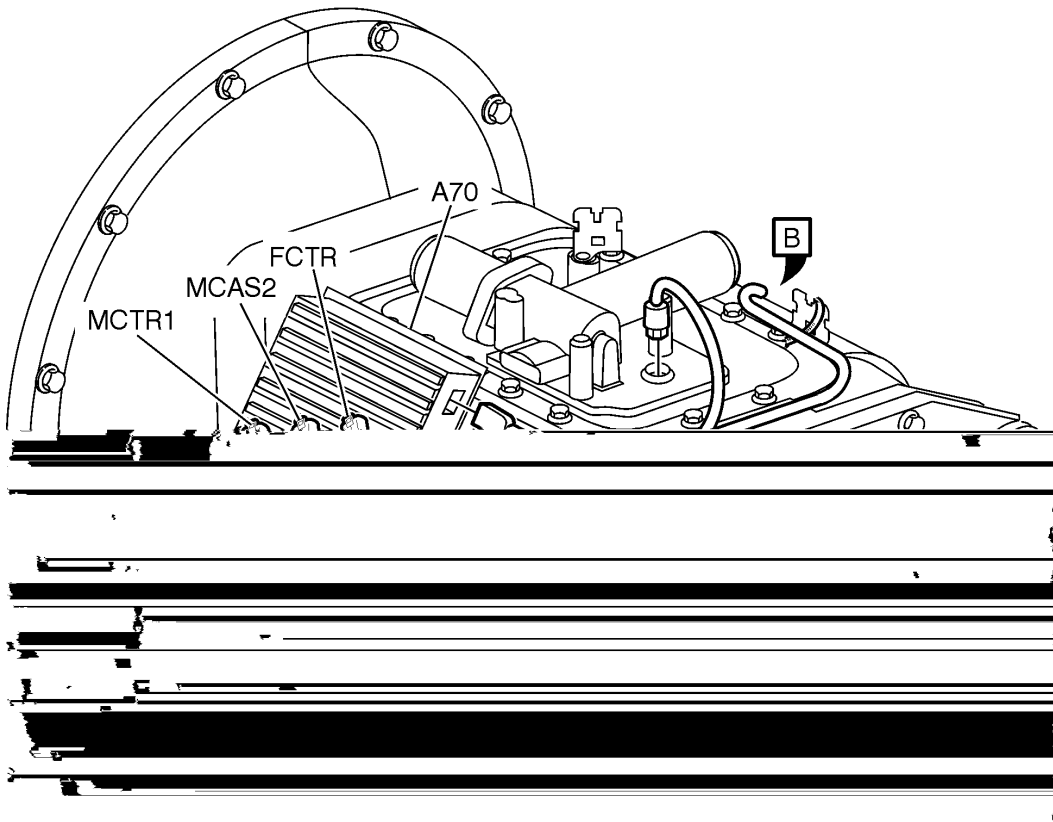
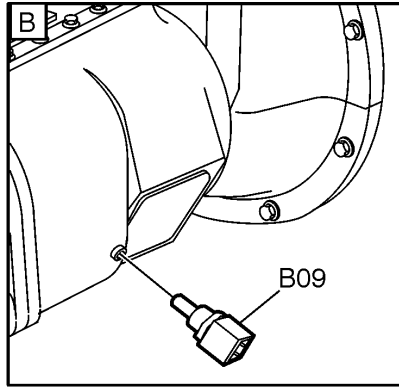
W3007181

Allison HD Transmission, VHD (BBOX-LF)



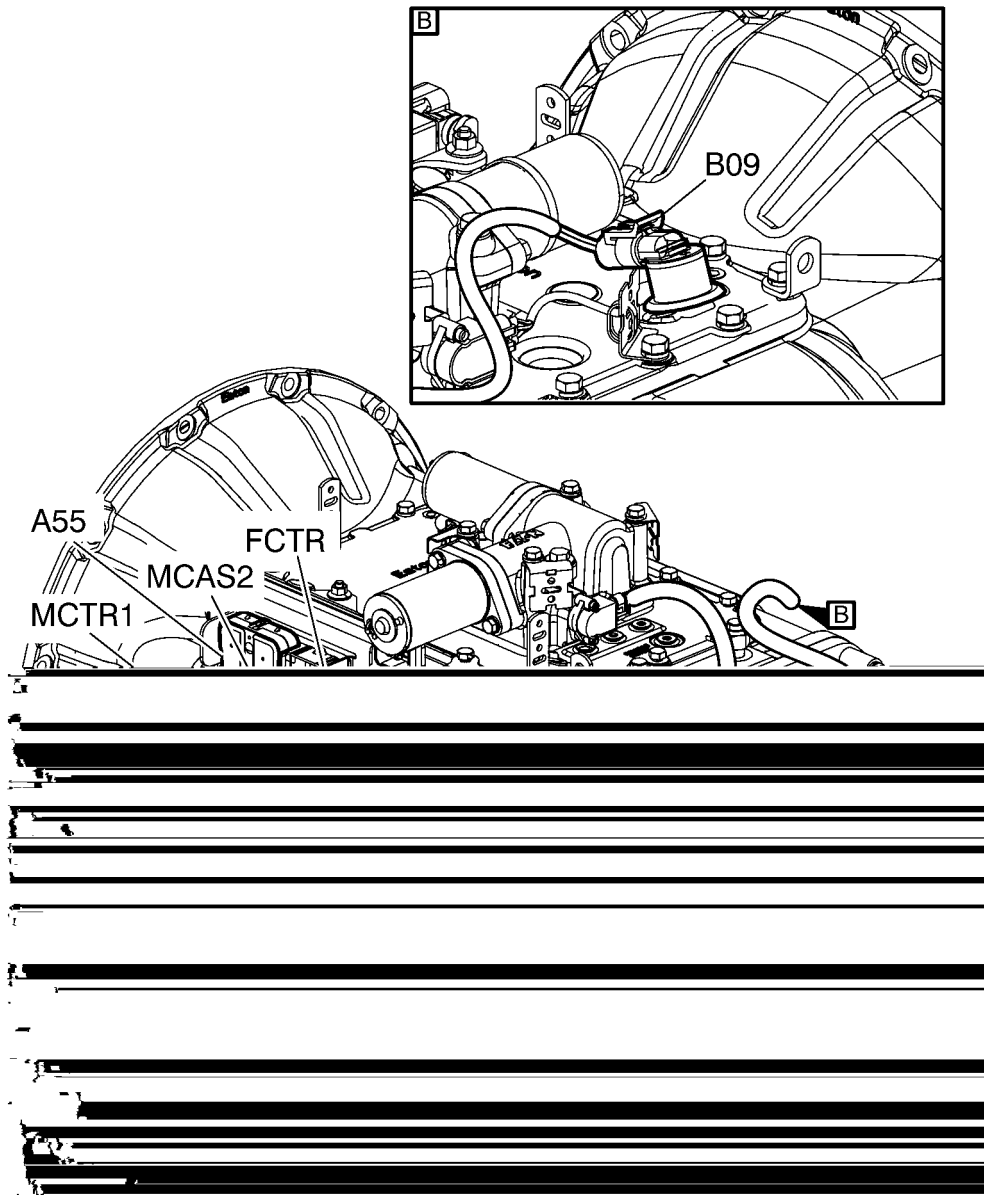
W3007186

Eaton Autoshift II Transmission



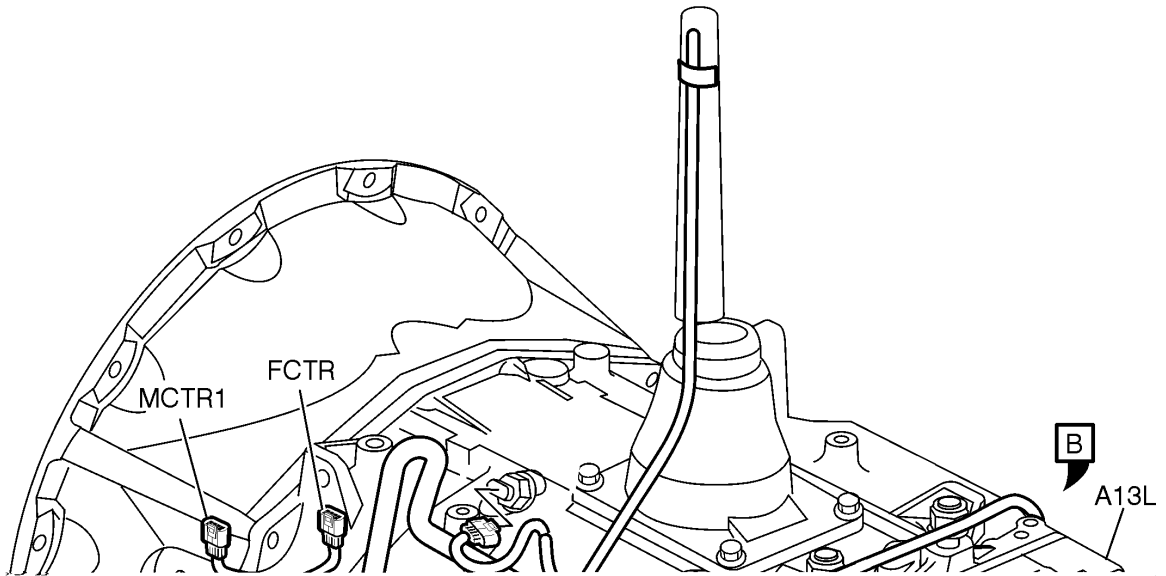
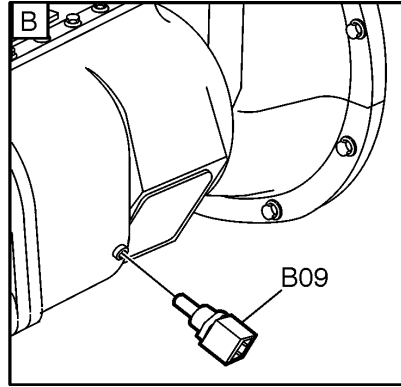
W3005890

Eaton Autoshift III Transmission



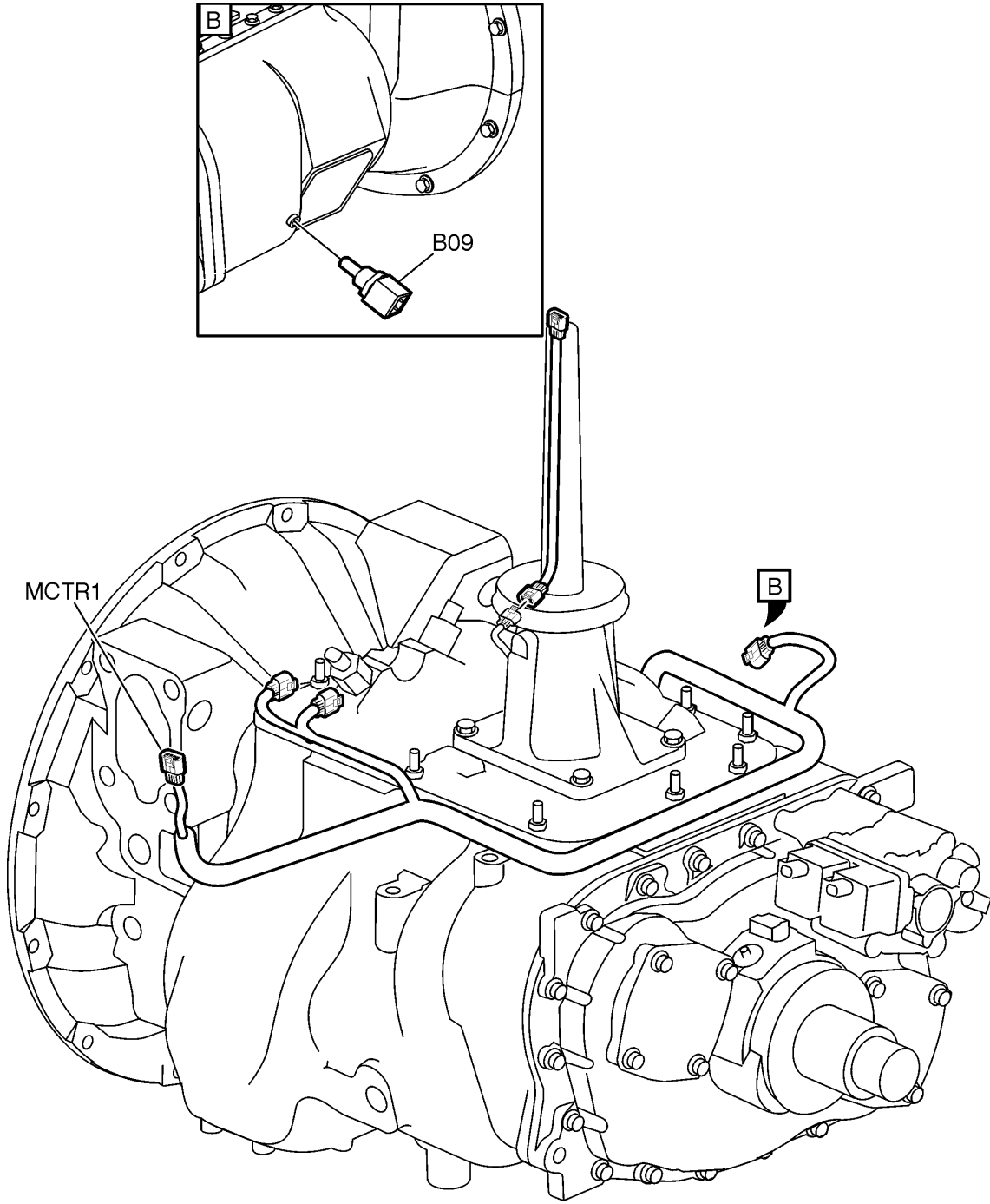
W3007171

Eaton Lightning/Eaton Ultrashift II Transmission



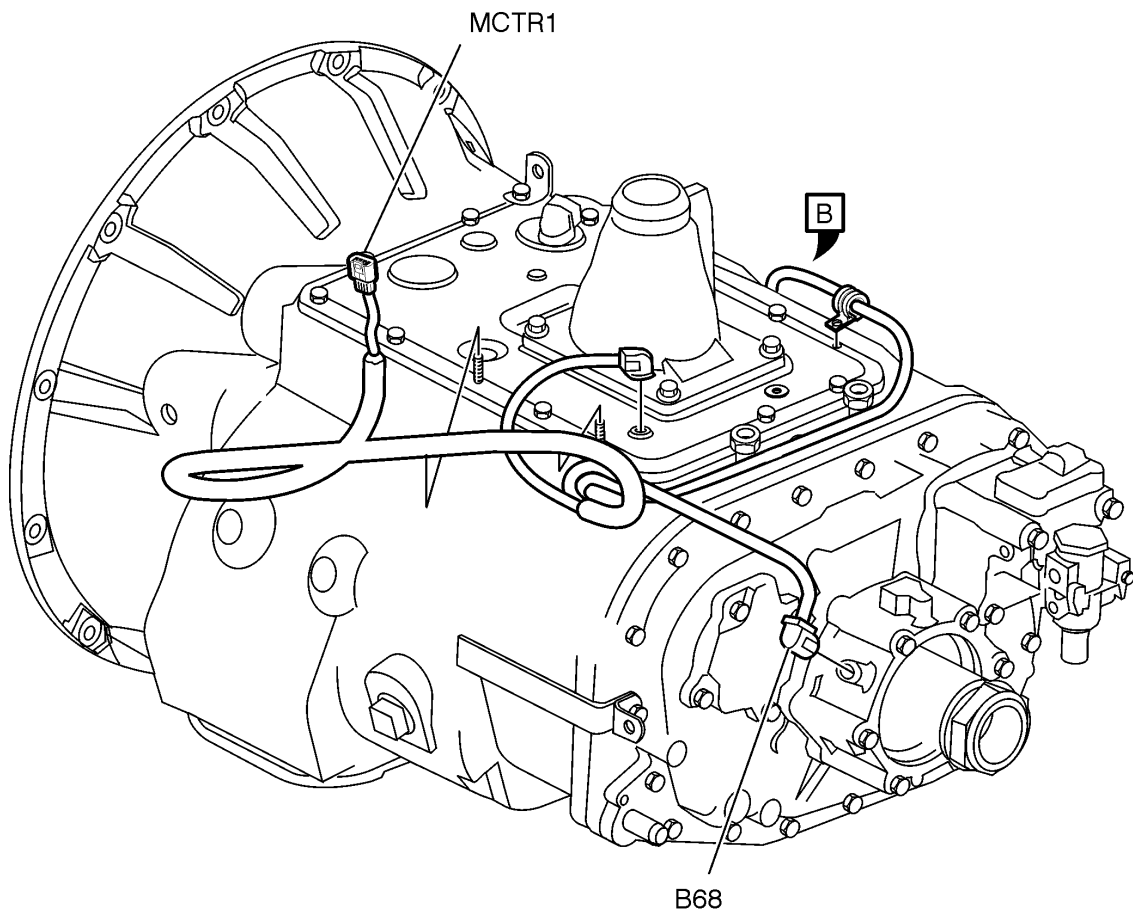
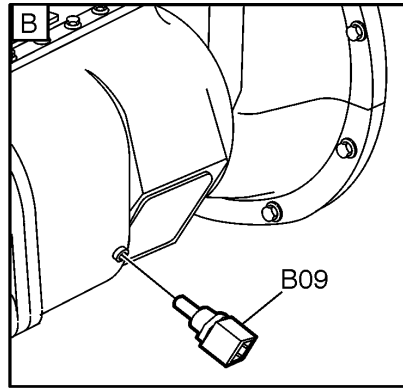
W3005891

Meritor Transmission



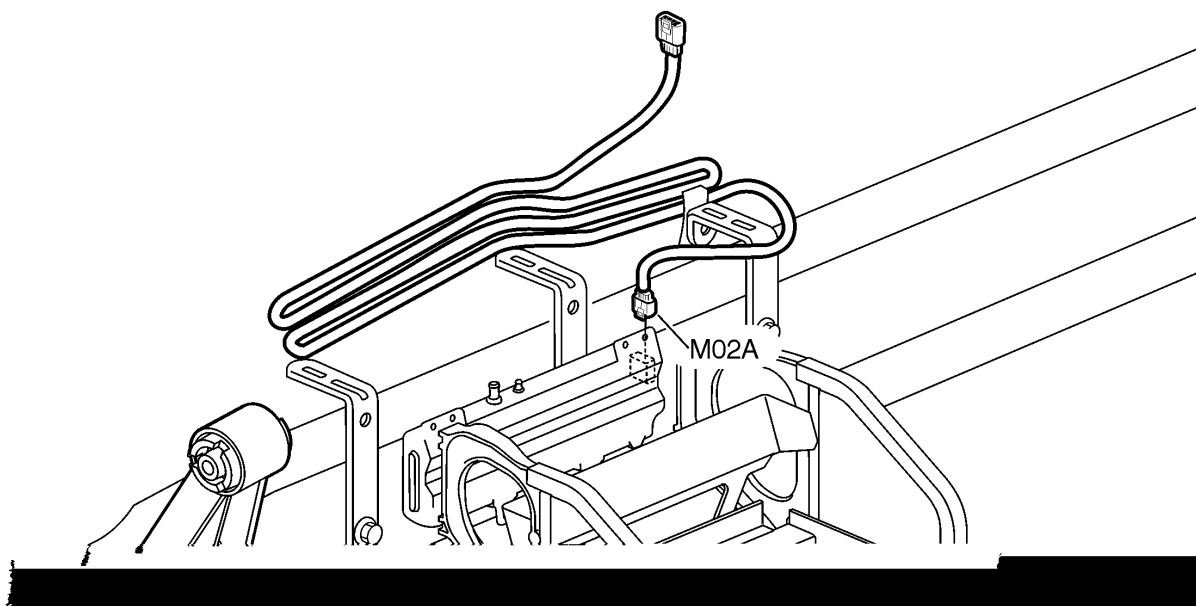
W3005892

Eaton Fuller Transmission



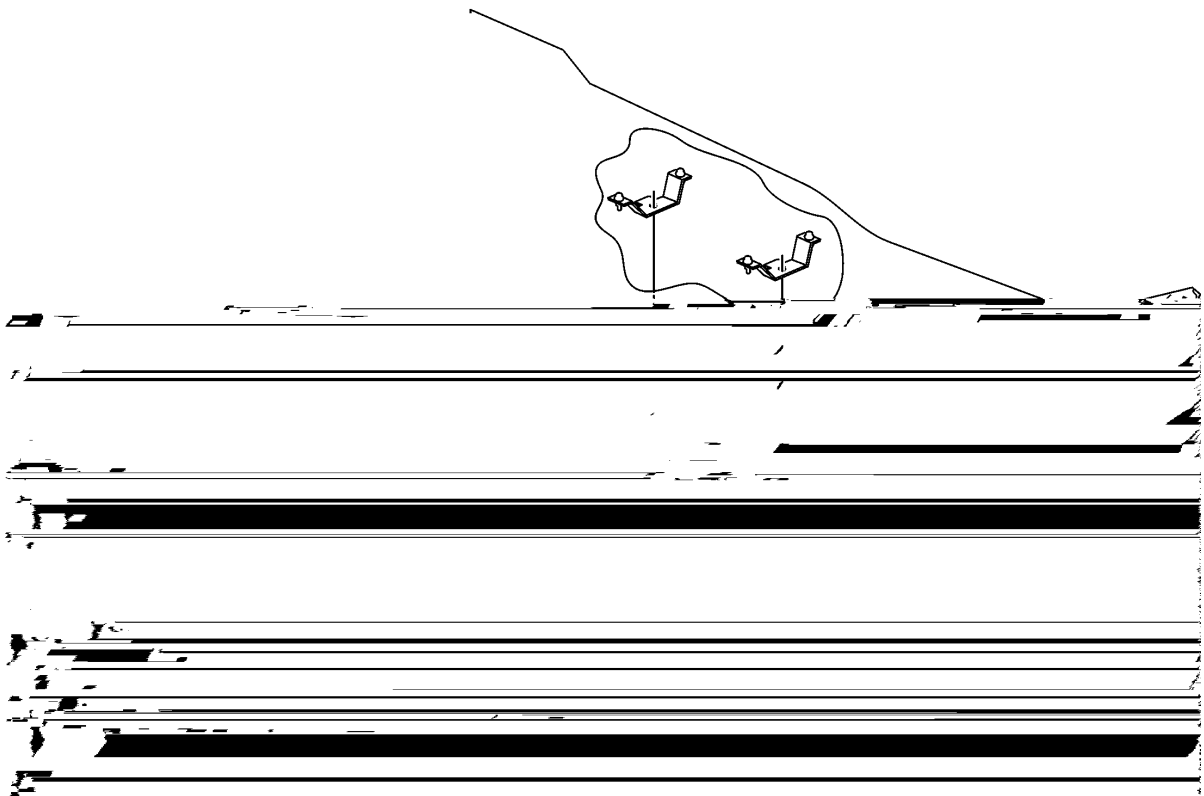
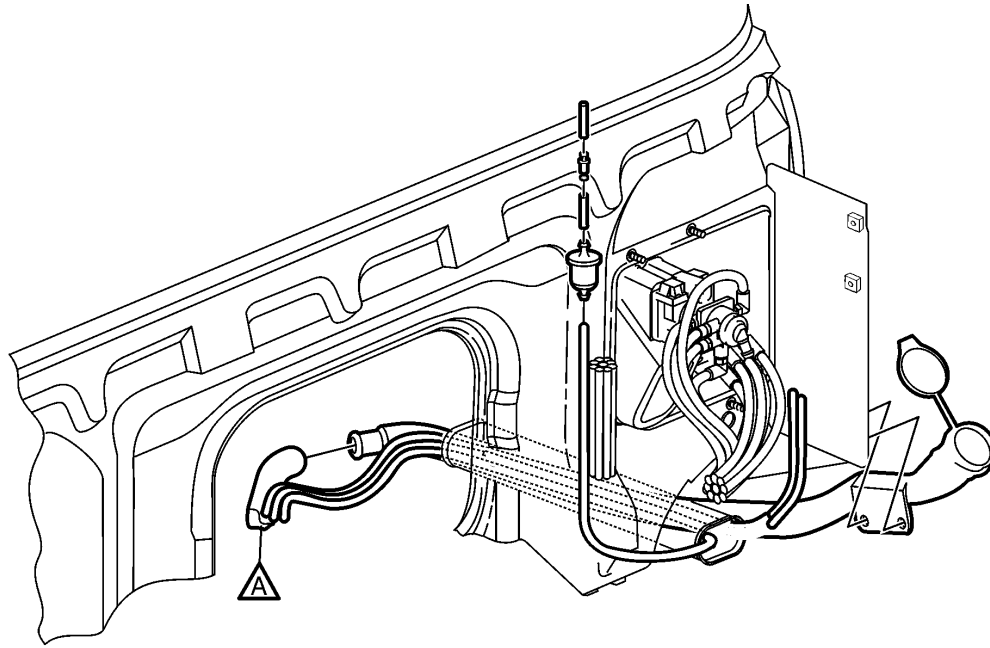
W3005893

Washer Reservoir, VN



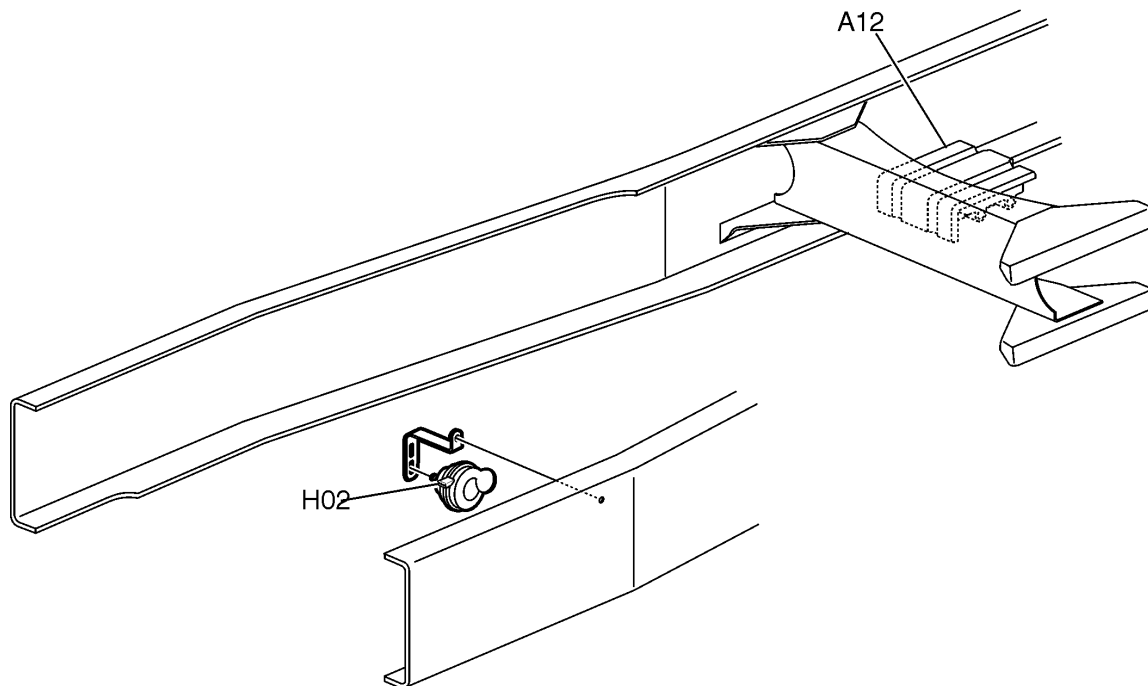
W3006898

Washer Reservoir, VHD



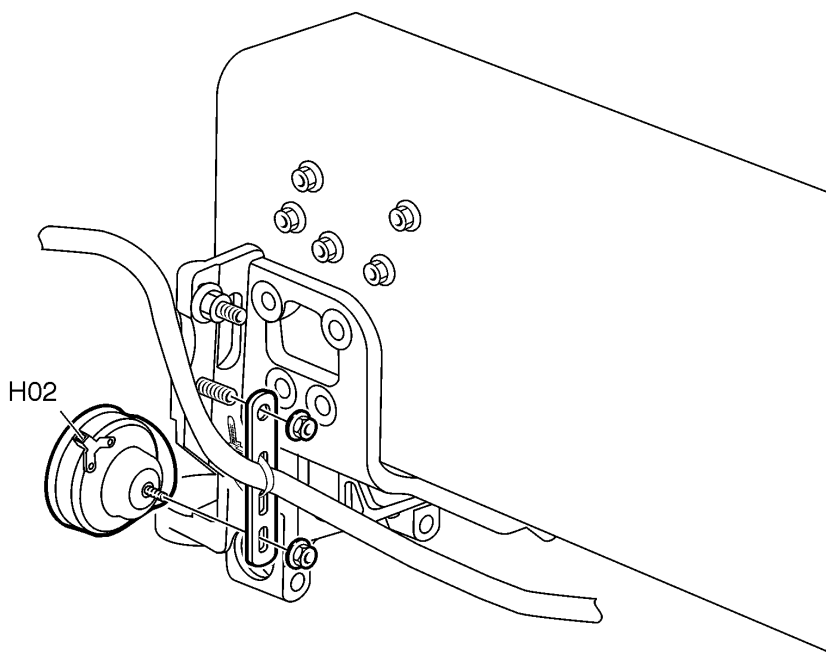
W3005910

Horn

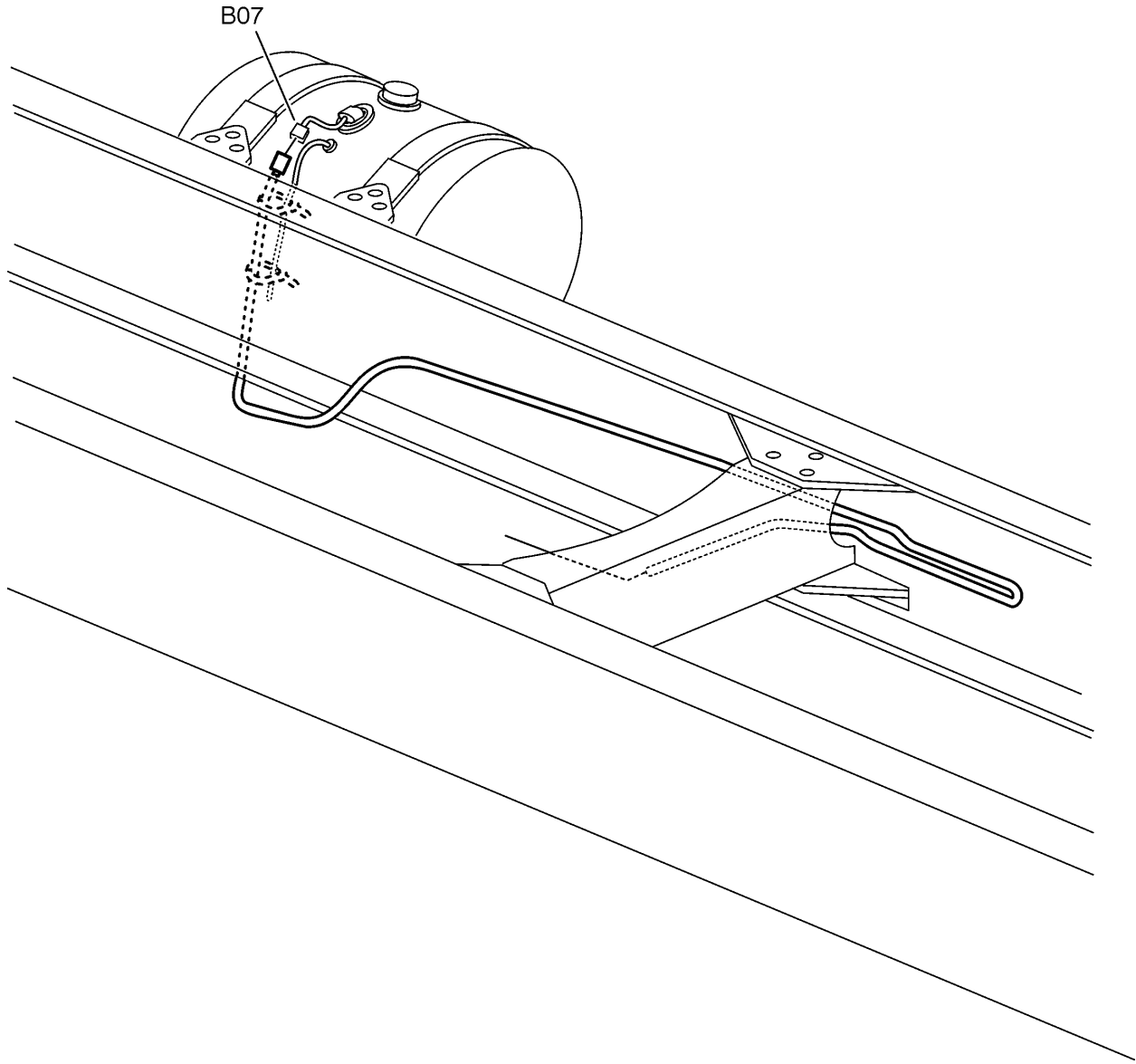
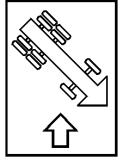


VN

VHD

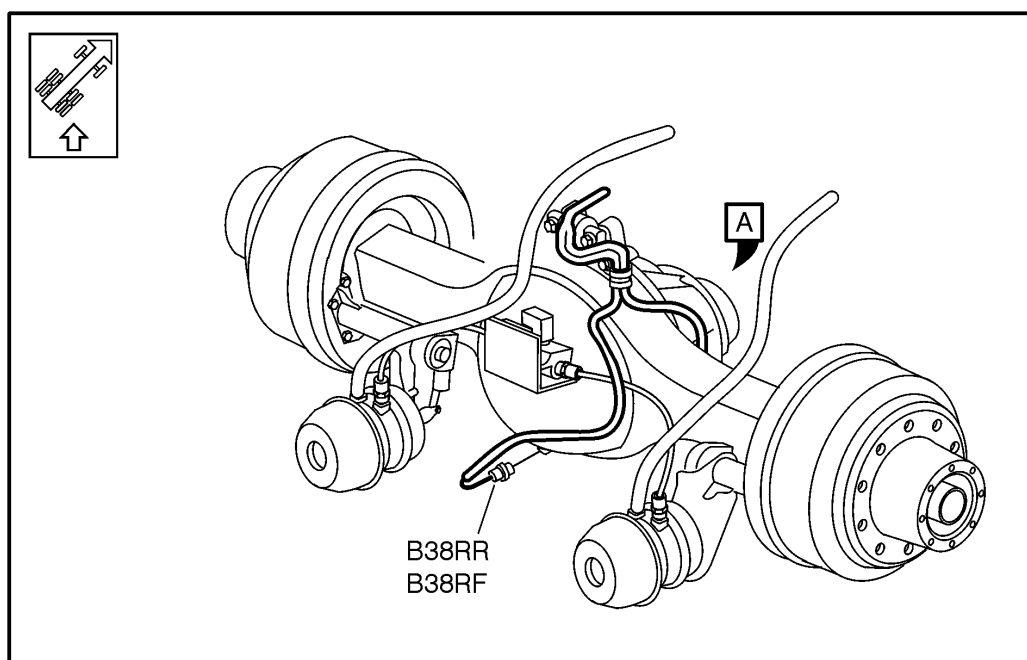
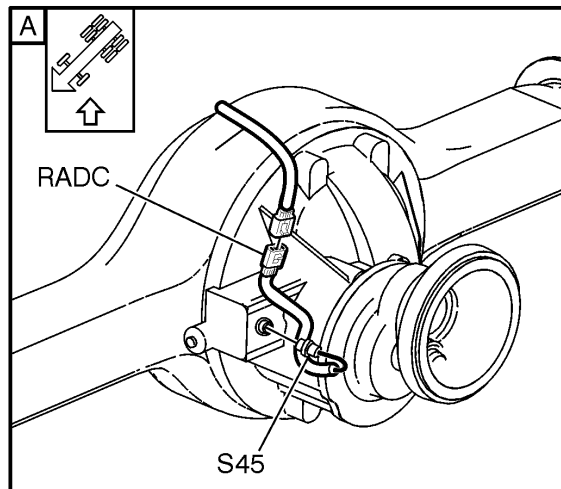


Fuel Level Sensor



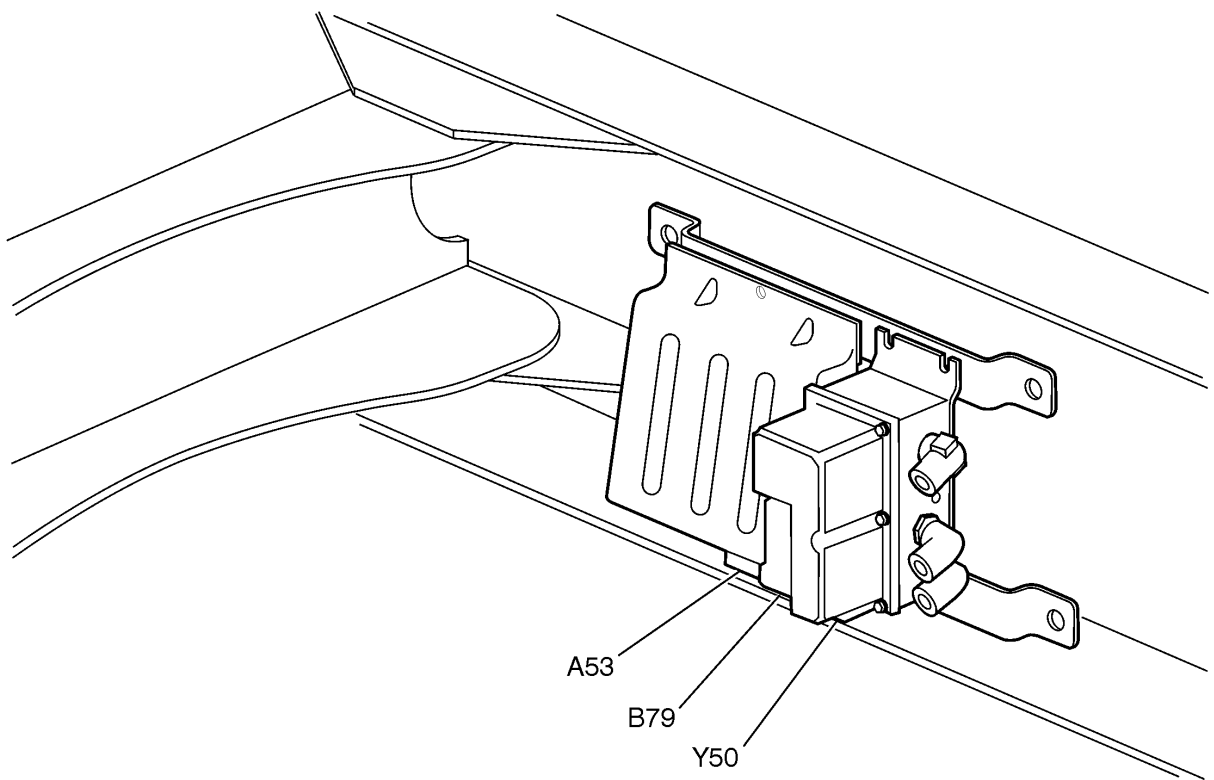
W3005909

Differential Lock/Axle Temperature



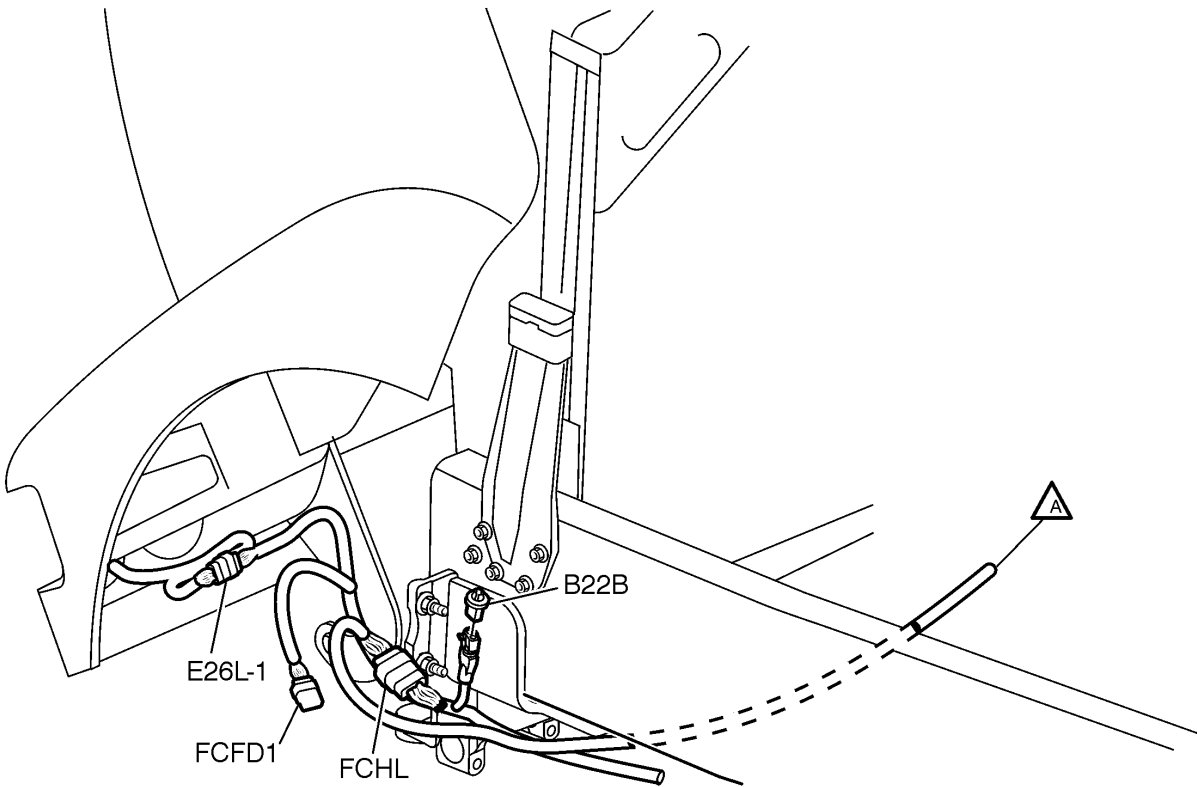
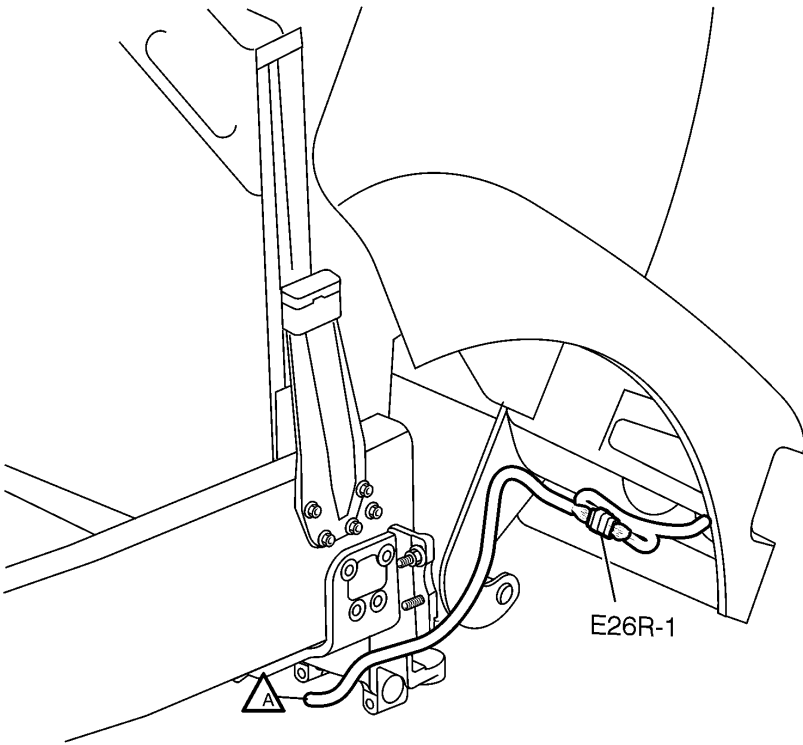
W3005919

Central Tire Inflation System



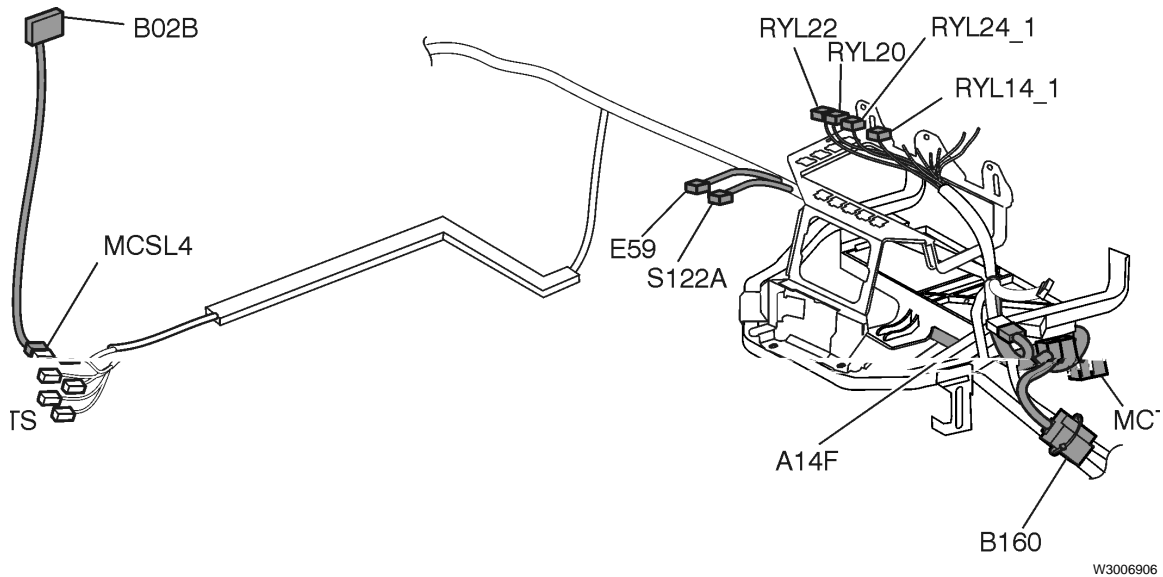
W3005930

Ambient Temperature Sensor



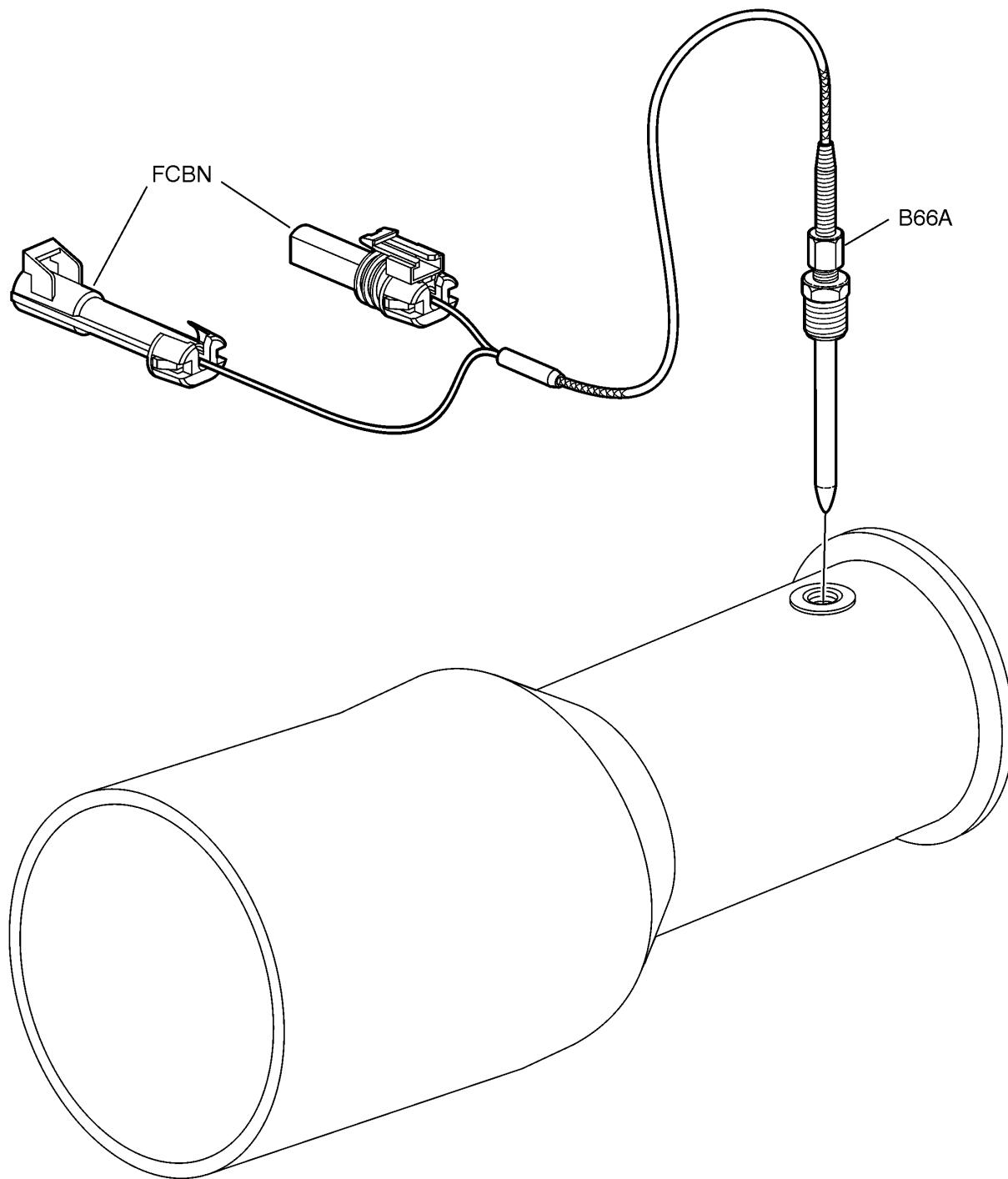
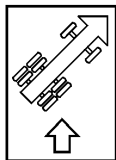
W3006899

Temp A Start

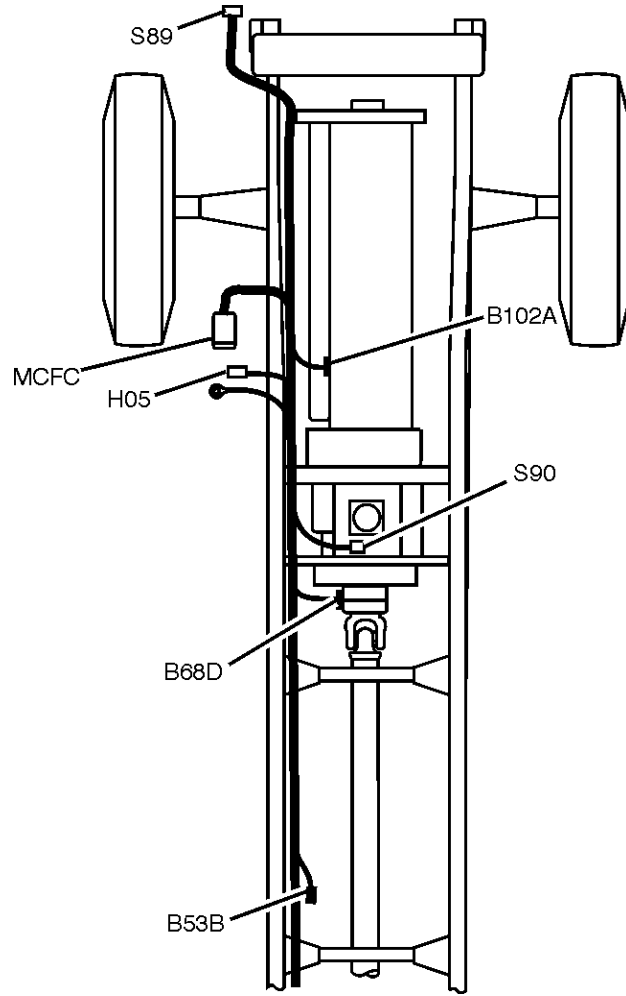


W3006906

Pyrometer Sensor

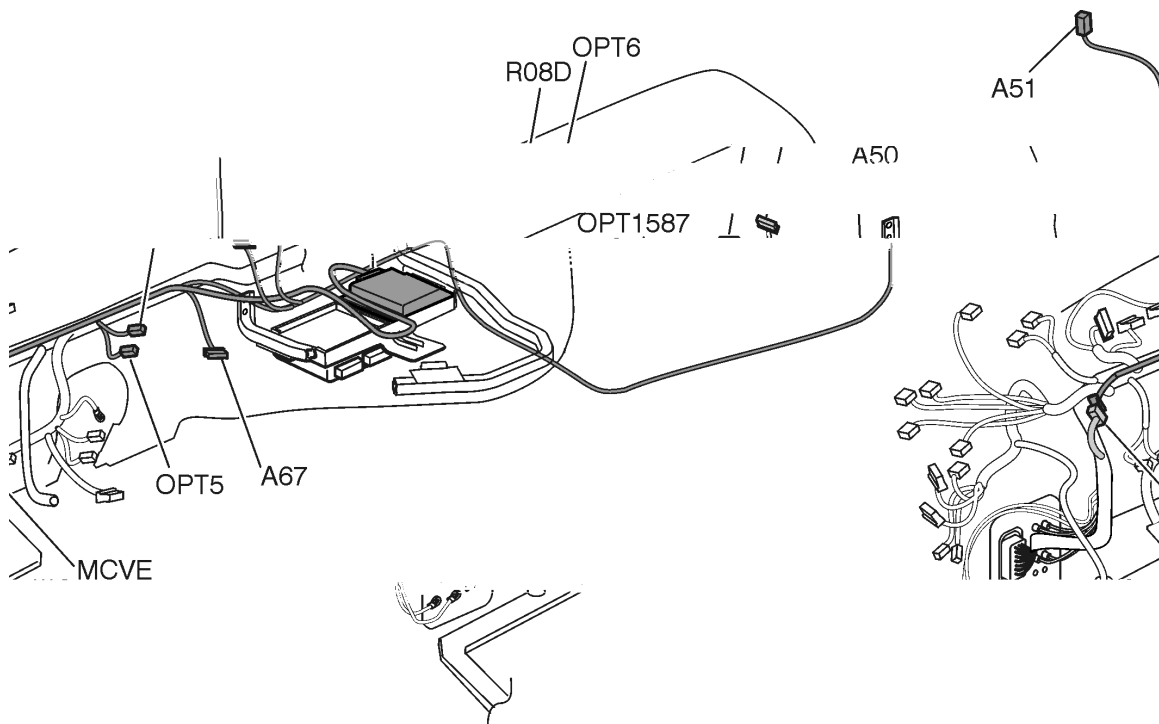


Chassis Harness



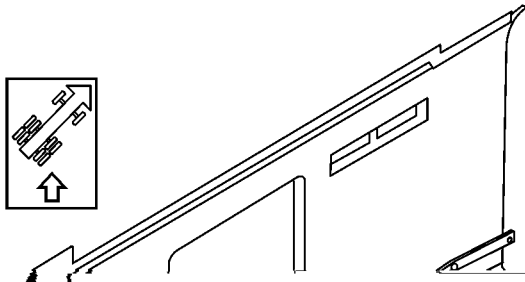
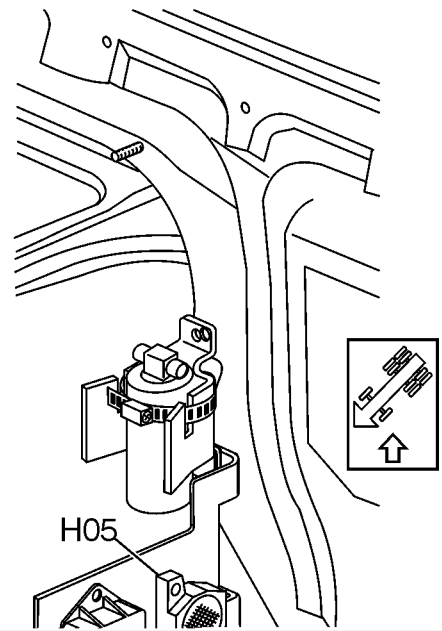
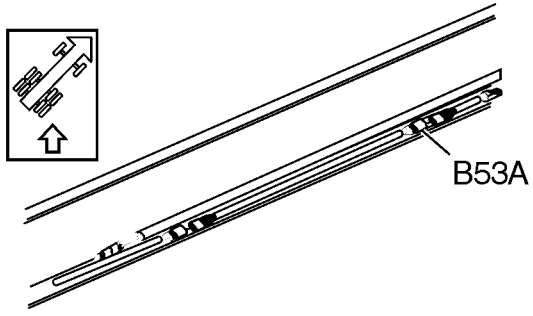
W3006903

VORAD Antennas

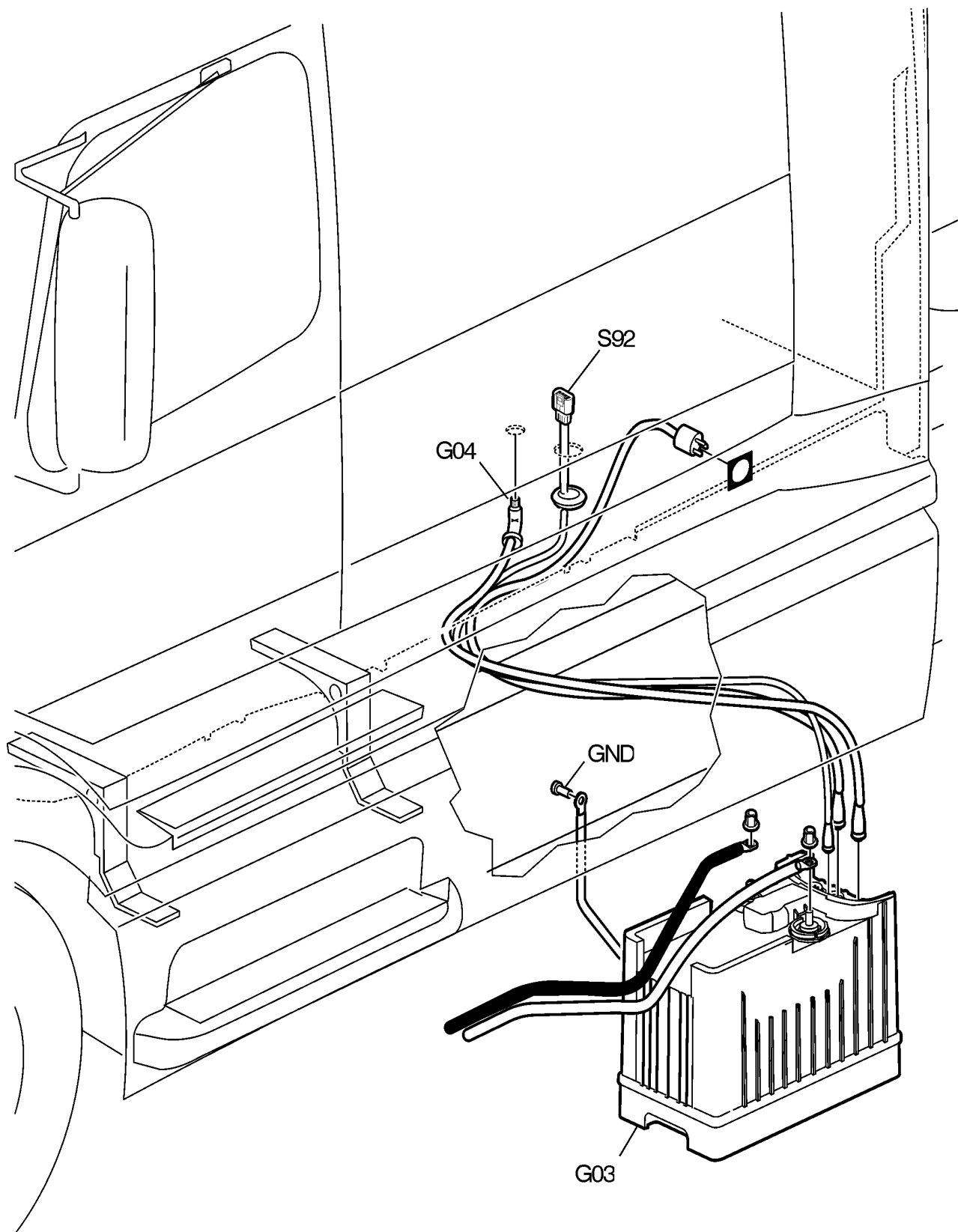


W3006907

ICON



Inverter



W2004614

VOLVO

Volvo Trucks North America, Inc.

P.O. Box 26115, Greensboro, NC 27402-6115

Volvo Trucks Canada, Ltd.

5600A Cancross Court, Mississauga, Ontario L5R 3E9

<http://www.volvotrucks.volvo.com>