



**Chassis ID**      **Path**  
 2348/Repair//Tensioning Band, Fuel Tank, Replacement (With Step Bracket)

**Model**            **Identity**  
 VN                    142670656

**Publish date**    **ID/Operation**  
 8/23/2018          2348-03-02-04

## 2348-03-02-04 Tensioning Band, Fuel Tank, Replacement (With Step Bracket)

	Illustrations may differ slightly from the actual vehicle being serviced. However, key components addressed in this information are represented as accurately as possible.
--	--

	All threaded fasteners that do not have a tightening torque specification in the information are tightened to a standard torque. Standard torques are available in the following specification. ►► <a href="#">Standard Tightening Torques</a>
--	--

		<b>CAUTION</b>	
--	---	----------------	--

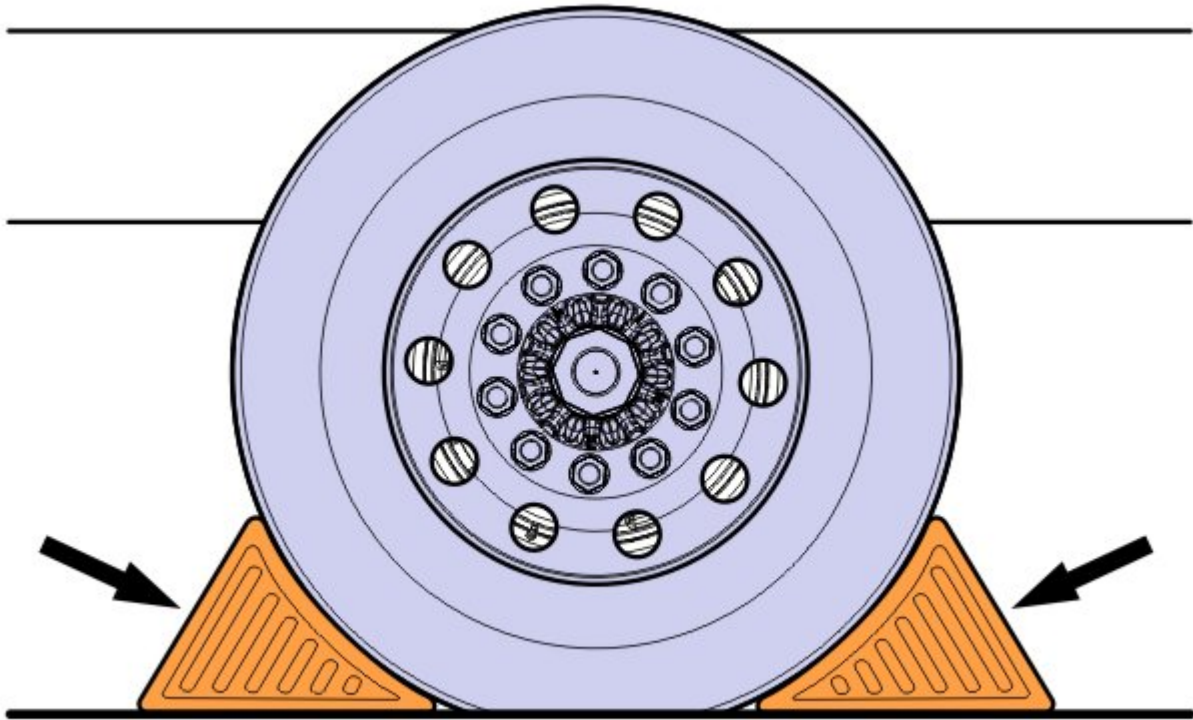
Service Information Advisory.	
If you are not properly trained and certified in this procedure, ask your supervisor for training before you perform it.	
▶	You must read and understand the precautions and guidelines in Service Information, Function Group 2, "General Safety Practices, Engine" before performing this procedure.

1	Park the vehicle on a level surface.
---	--------------------------------------

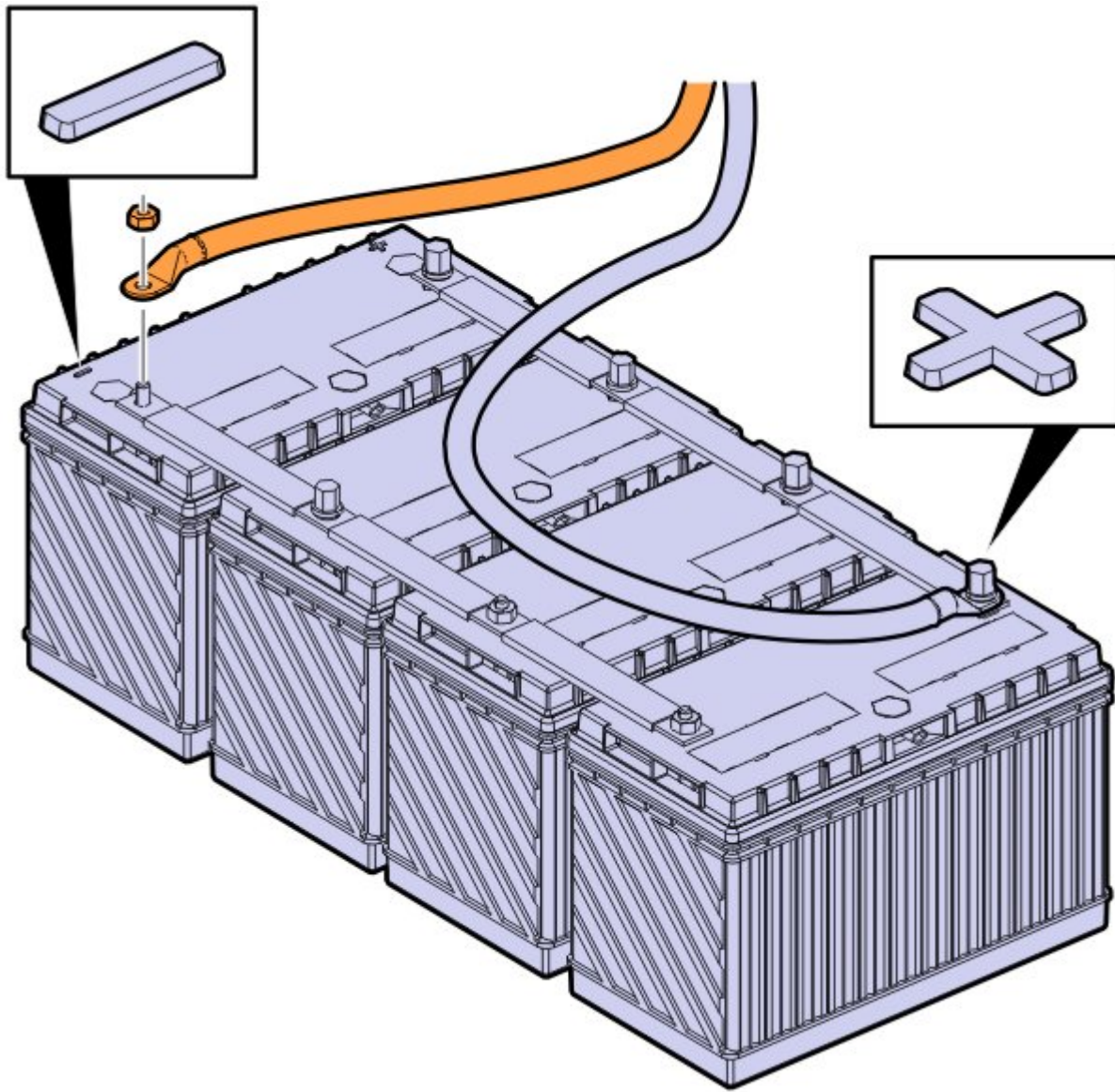
2	Apply the parking brake.
---	--------------------------

3	Place the gear lever in neutral.
---	----------------------------------

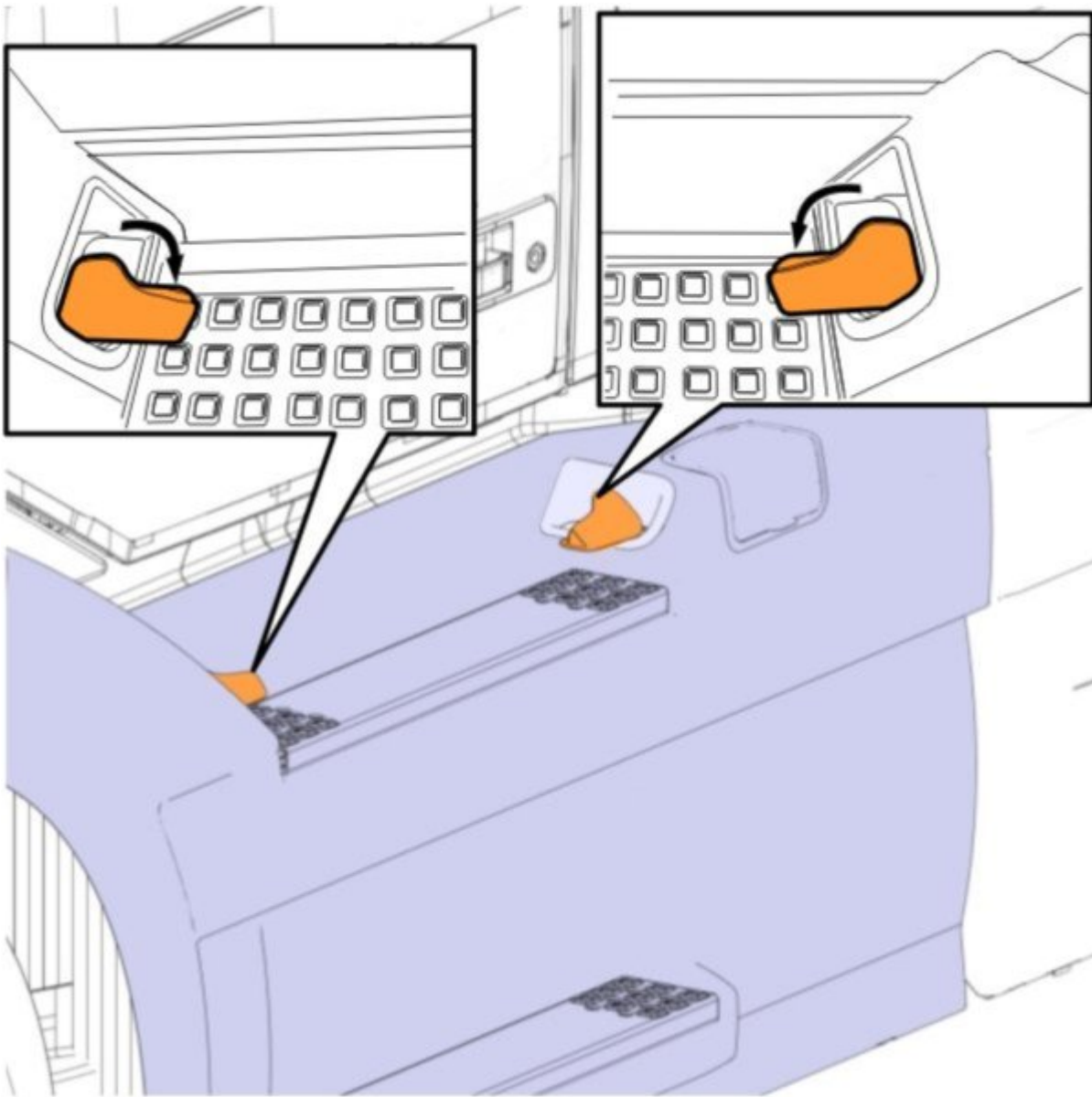
4	Install the wheel chocks.
---	---------------------------



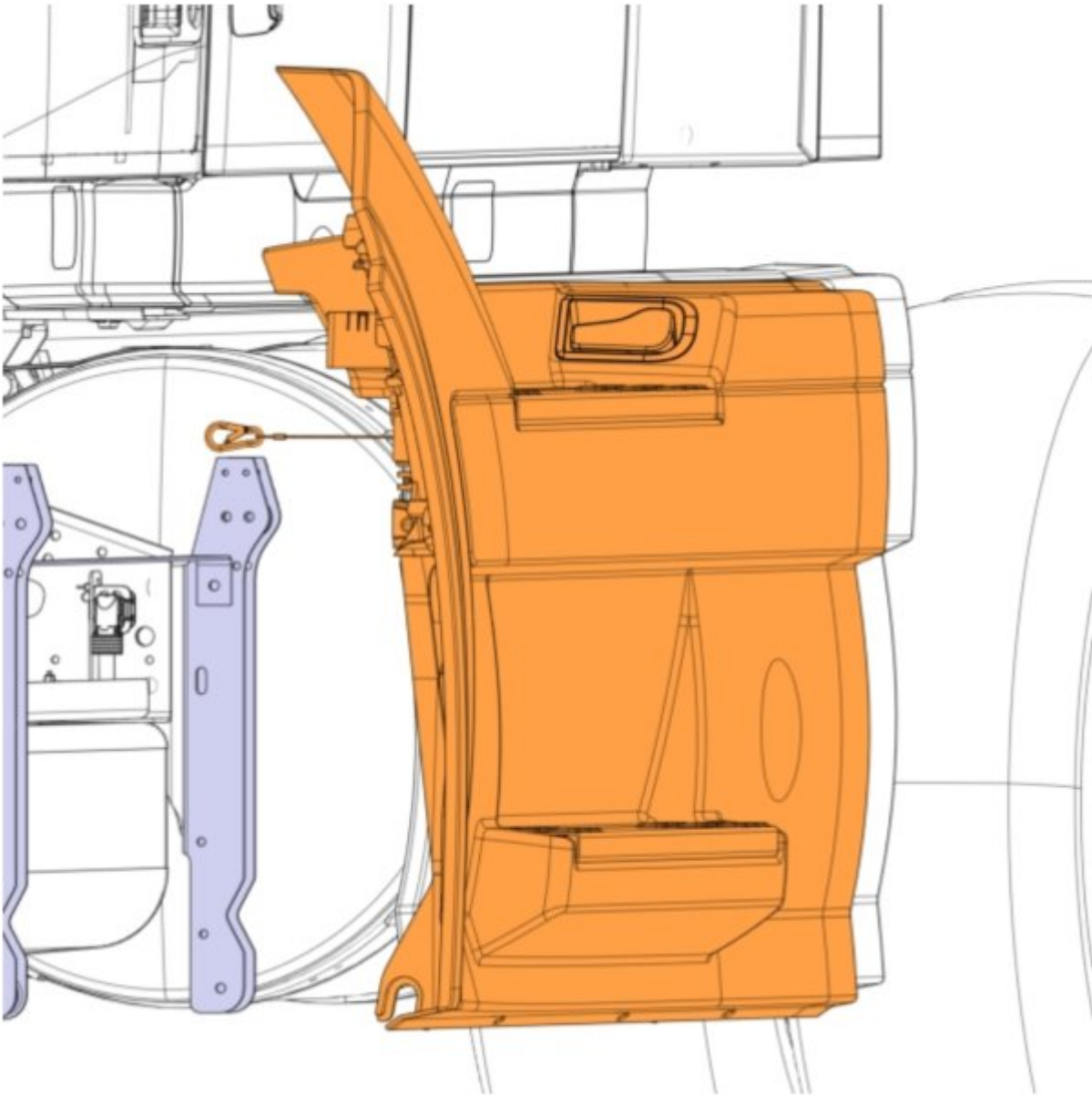
5	Disconnect the cable from the negative terminal.
---	--



6	Unlatch the fairing.
---	----------------------

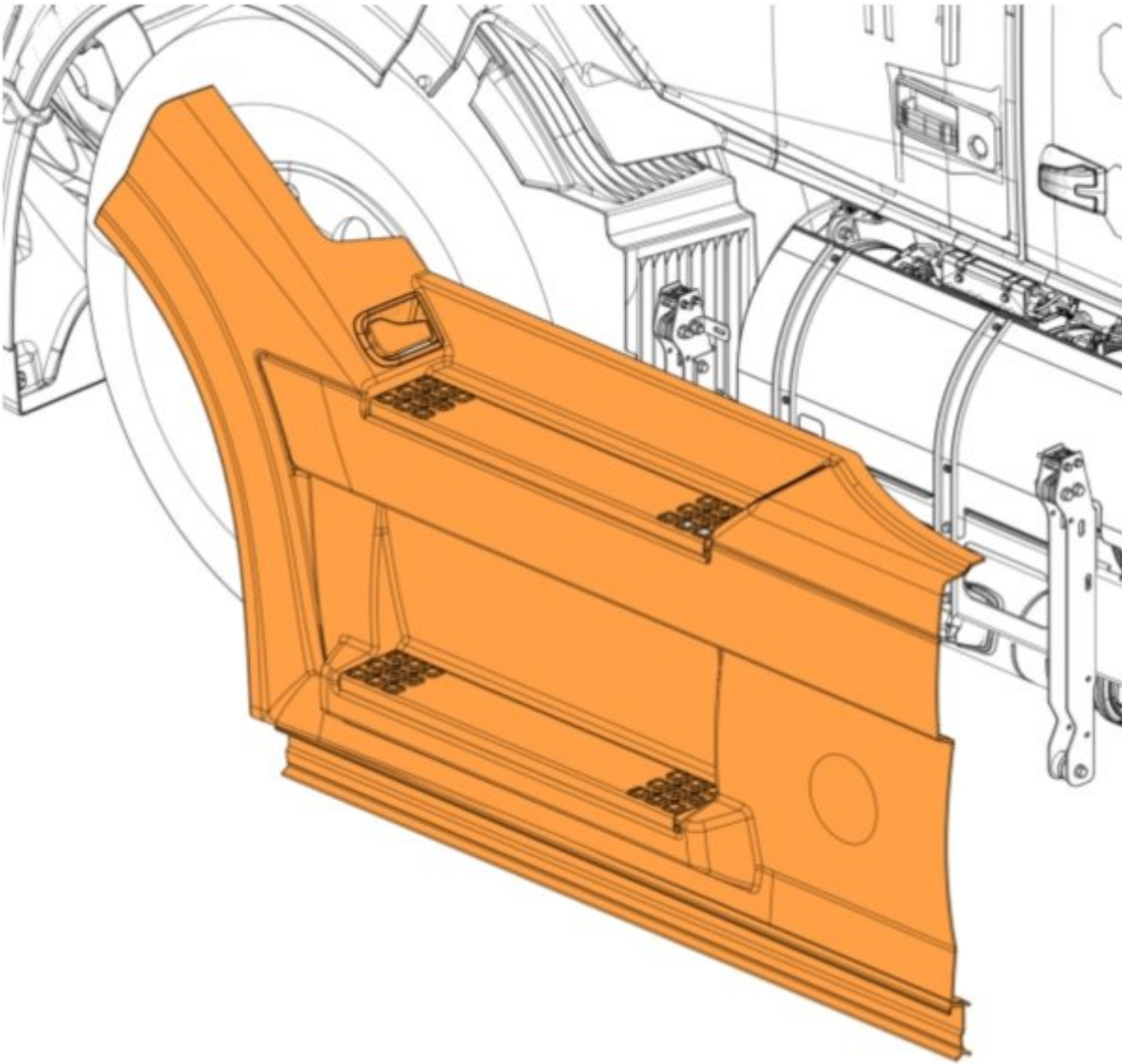


7	Disconnect the tether.
---	------------------------

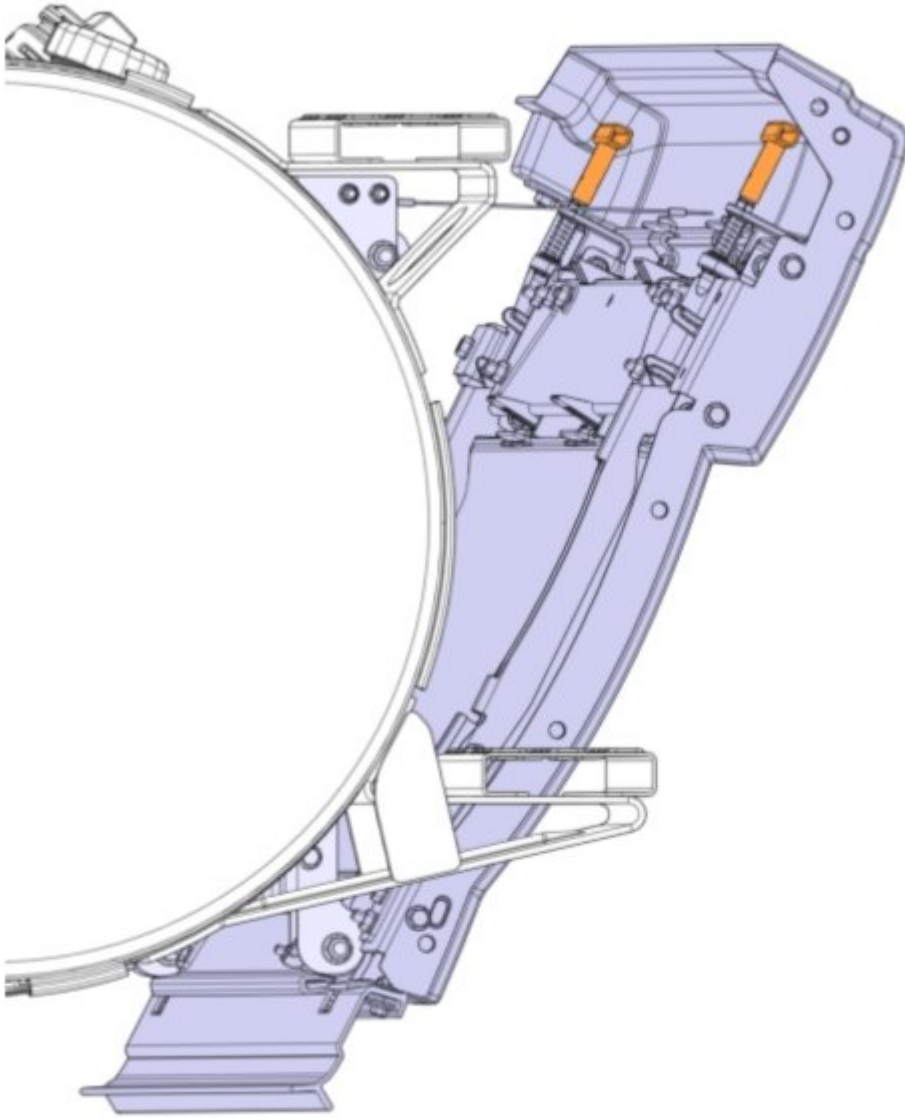


8	Remove the fairing.
---	---------------------

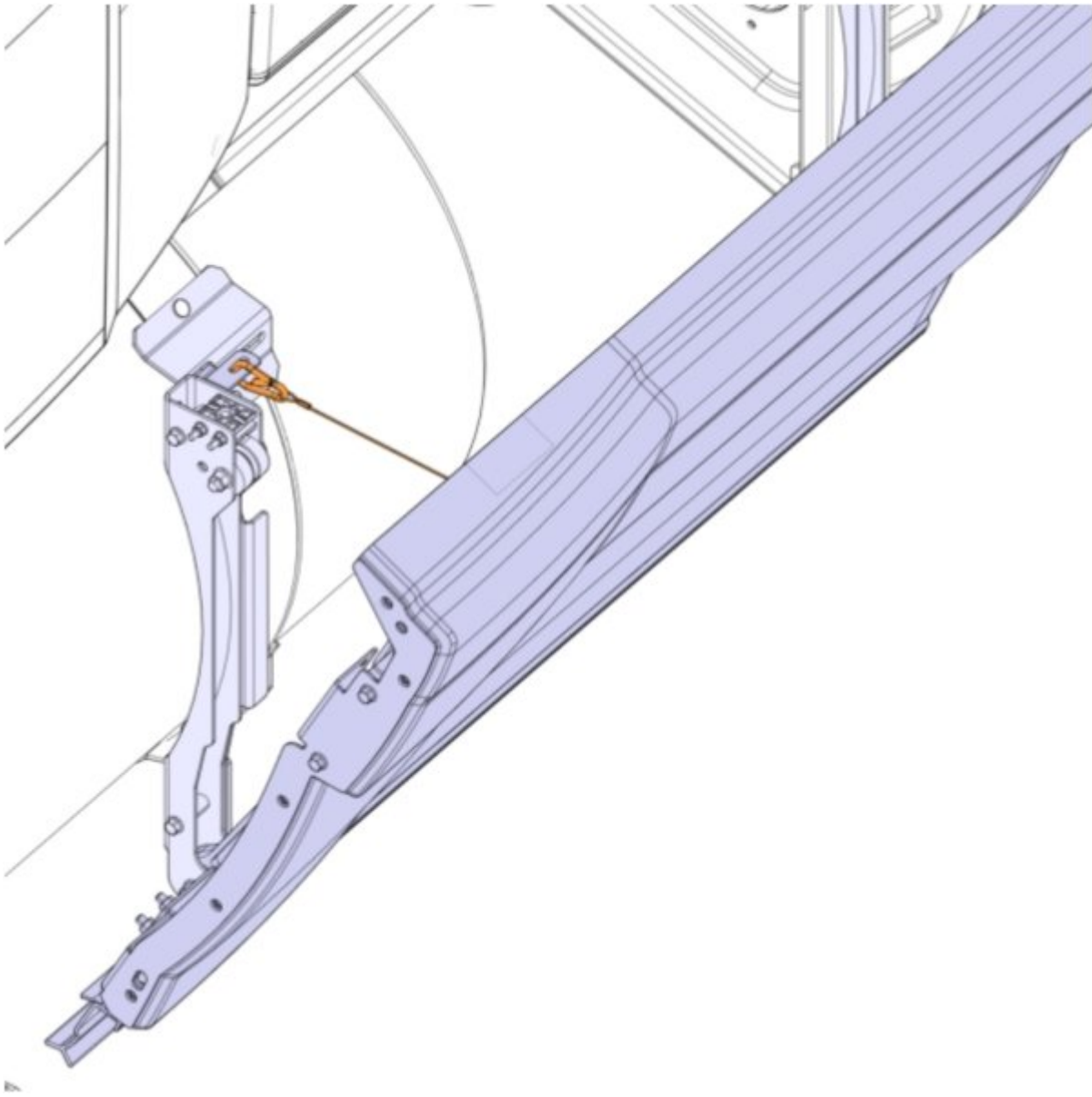




9	Unlatch and open the fairing.
---	-------------------------------

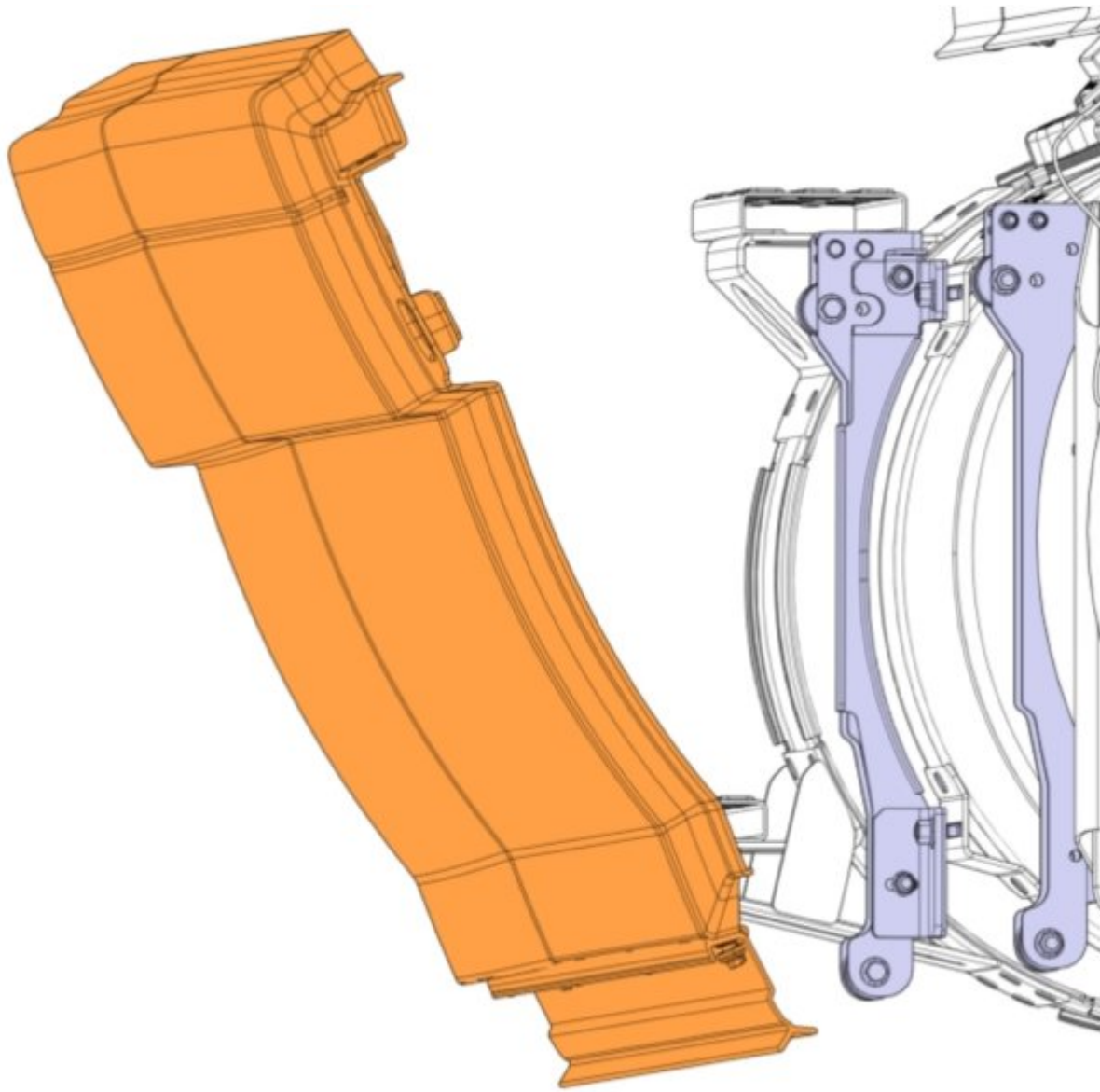


10	Release the strap.
----	--------------------

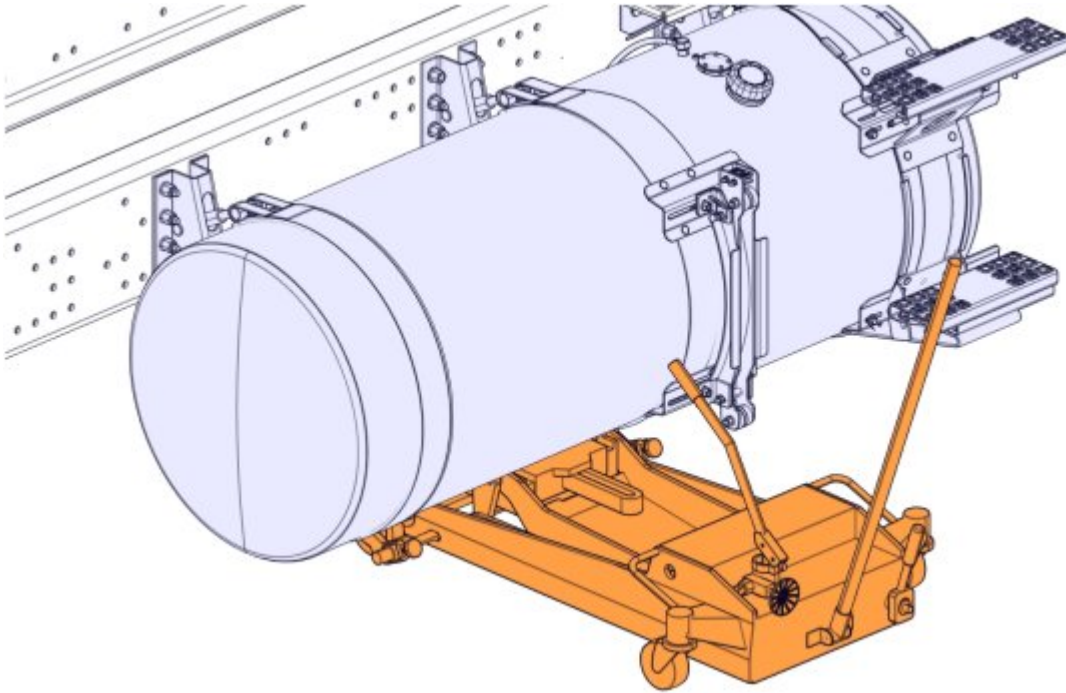


11	Remove the fairing.
----	---------------------



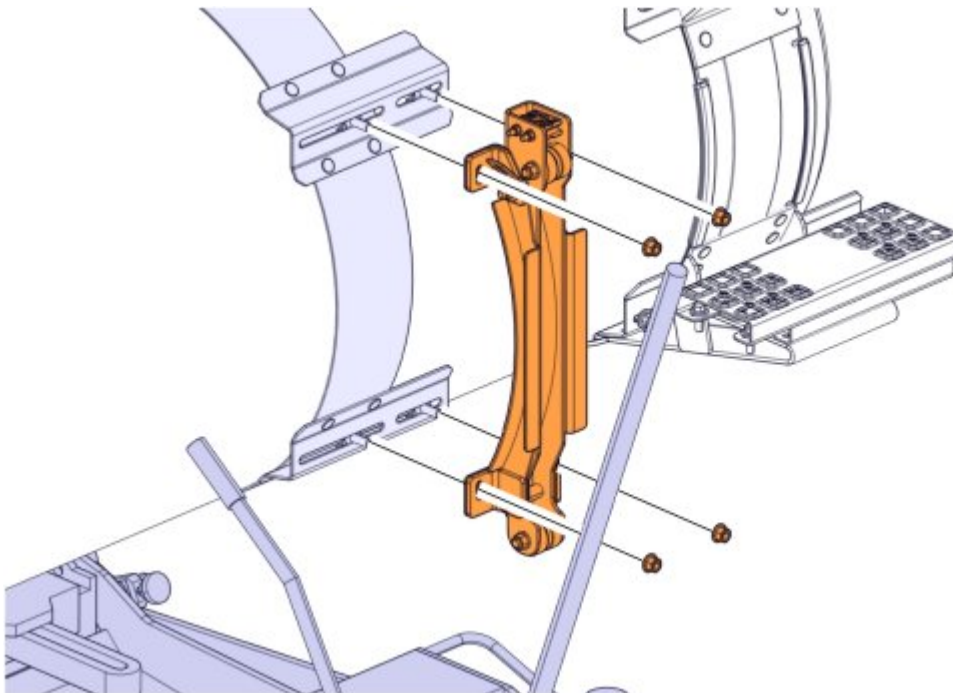


12	Position the tool.  <table border="1" data-bbox="167 1400 481 1500"> <tr> <td data-bbox="167 1400 239 1500">  </td> <td data-bbox="239 1400 481 1500"> <b>Note</b>                      Use a suitable tool.                 </td> </tr> </table>		<b>Note</b> Use a suitable tool.
	<b>Note</b> Use a suitable tool.		



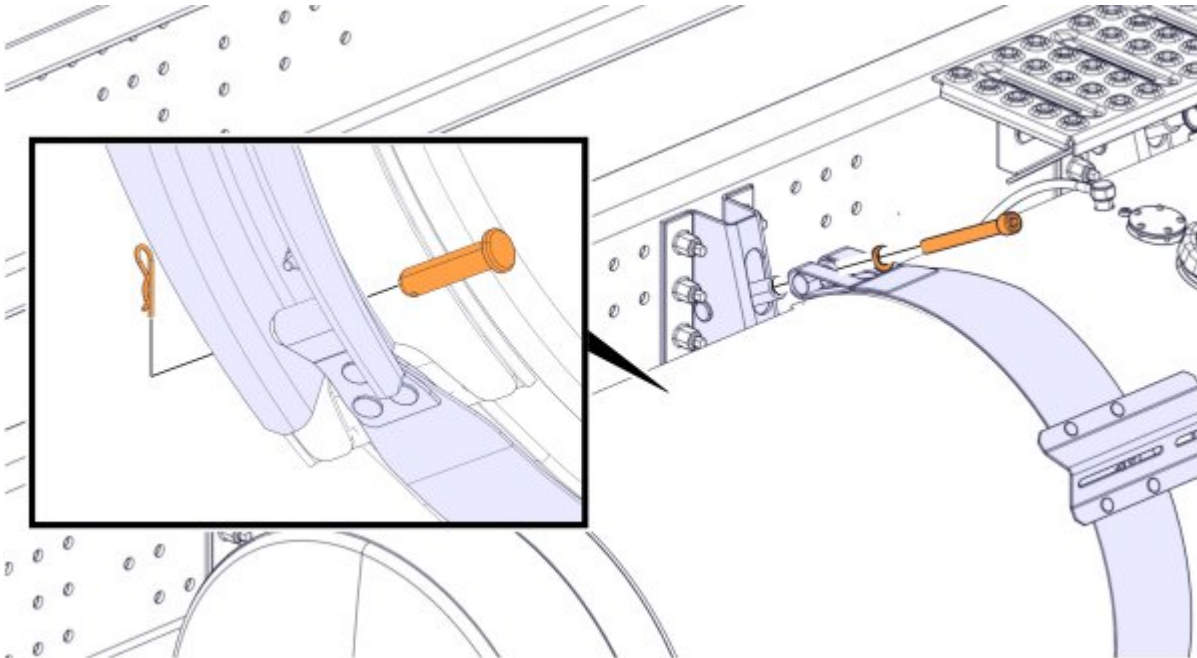
13	Remove the nuts.
----	------------------

14	Remove the bracket assembly.
----	------------------------------



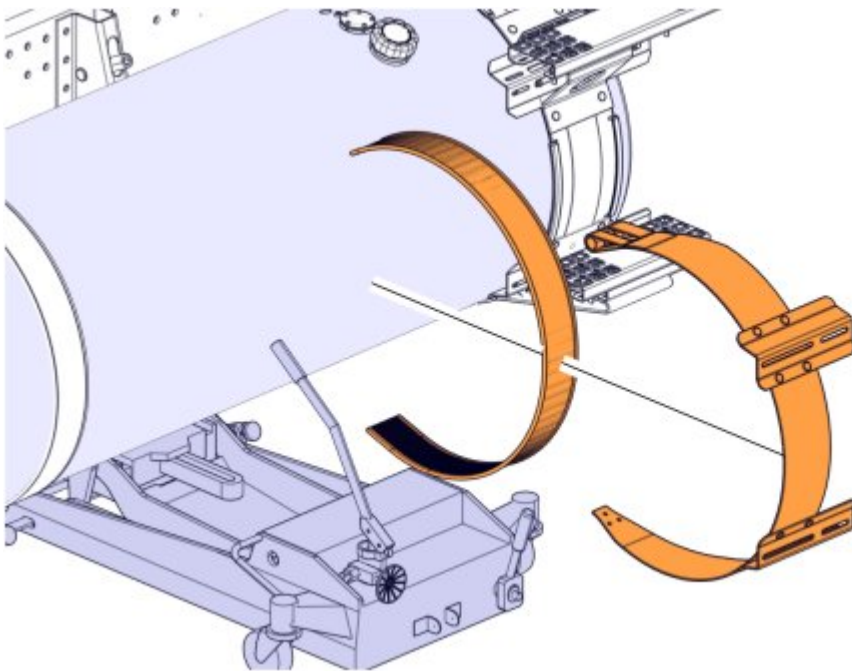
15	Remove the screw and washer.
----	------------------------------

16	Remove the lock pin and pin.
----	------------------------------



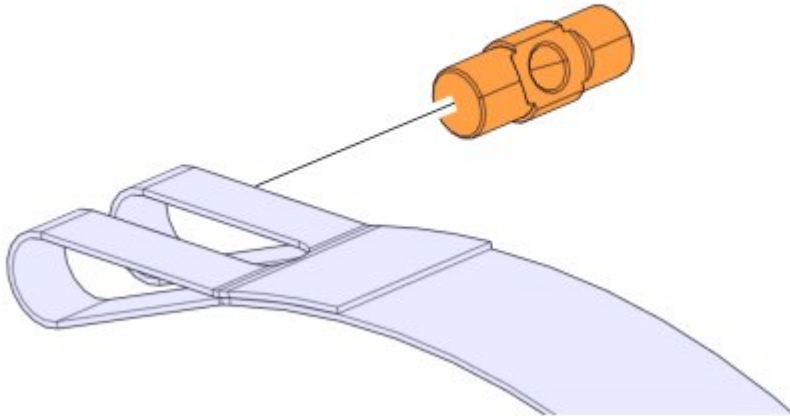
17	Remove the tensioning band.
----	-----------------------------

18	Remove the insulator.
----	-----------------------



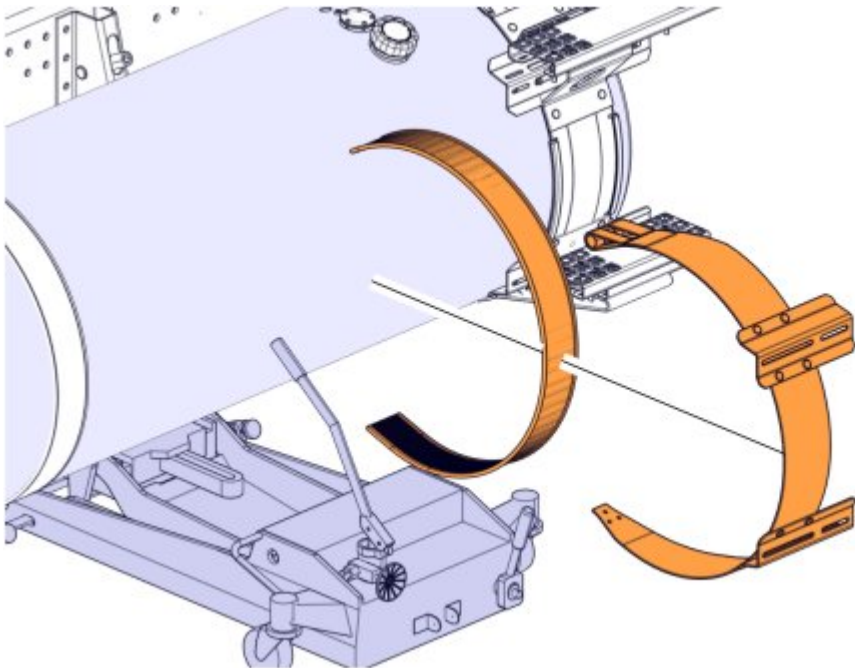
19	Remove the pin.
----	-----------------

20	Transfer the part.
----	--------------------



21	Install the insulator.
----	------------------------

22	Install the tensioning band.
----	------------------------------

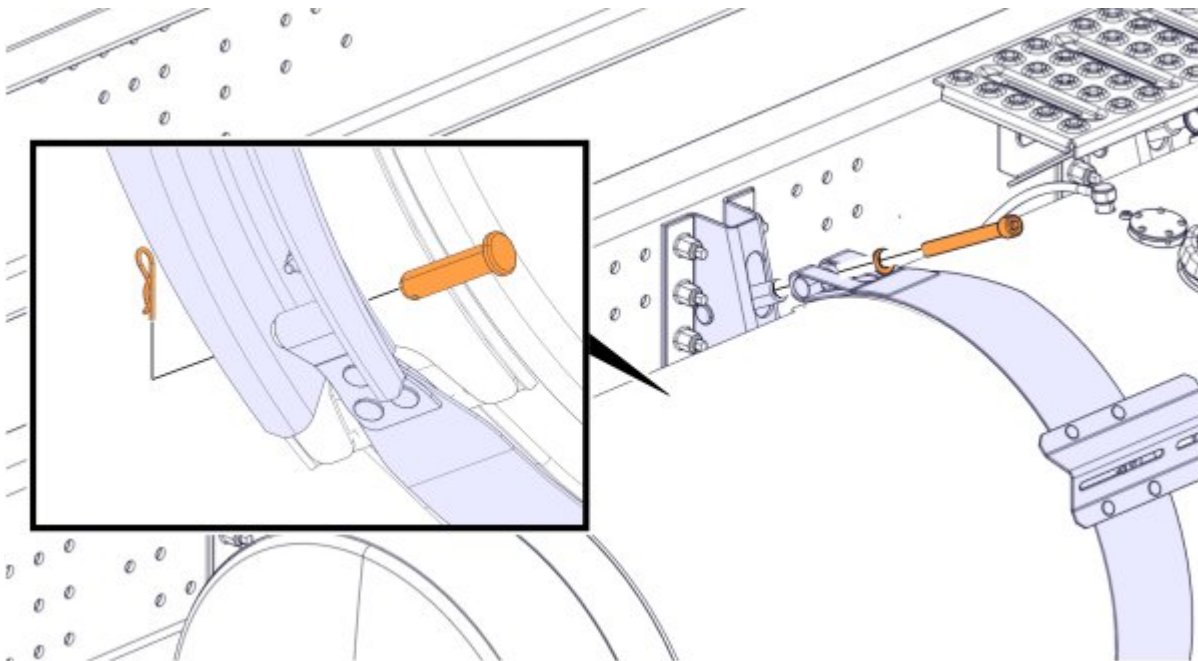


23	Install the pin and lock pin.
----	-------------------------------

24	Install the washer and screw.
----	-------------------------------

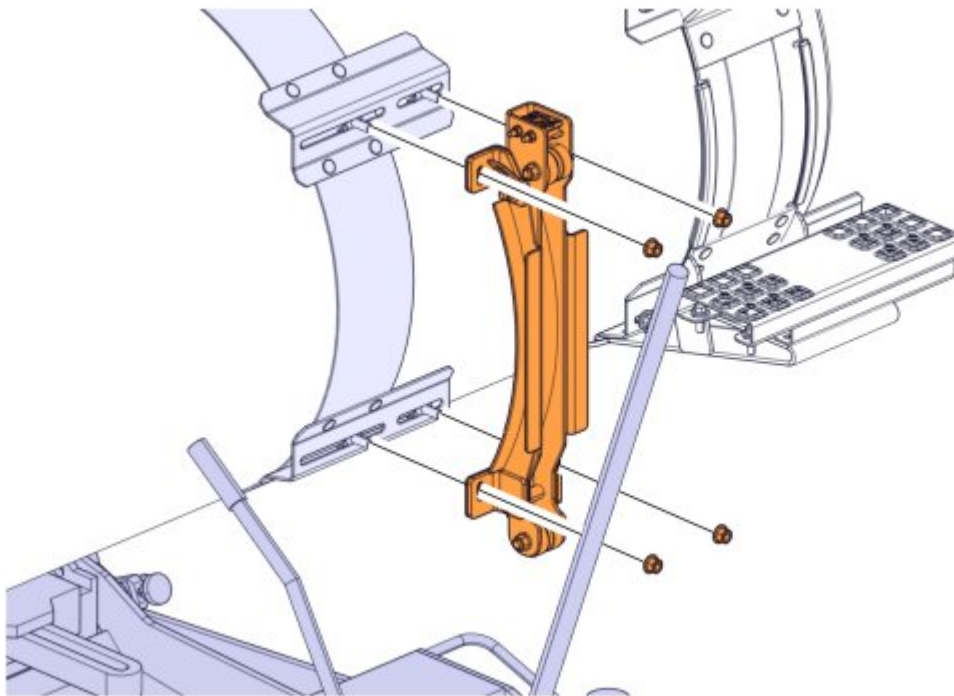
25	Torque tighten the screw.	
	Tightening torque	
	Fuel tank strap, fasteners	54 ±7 Nm (40 ±5 lb <sub>f</sub> ·ft)





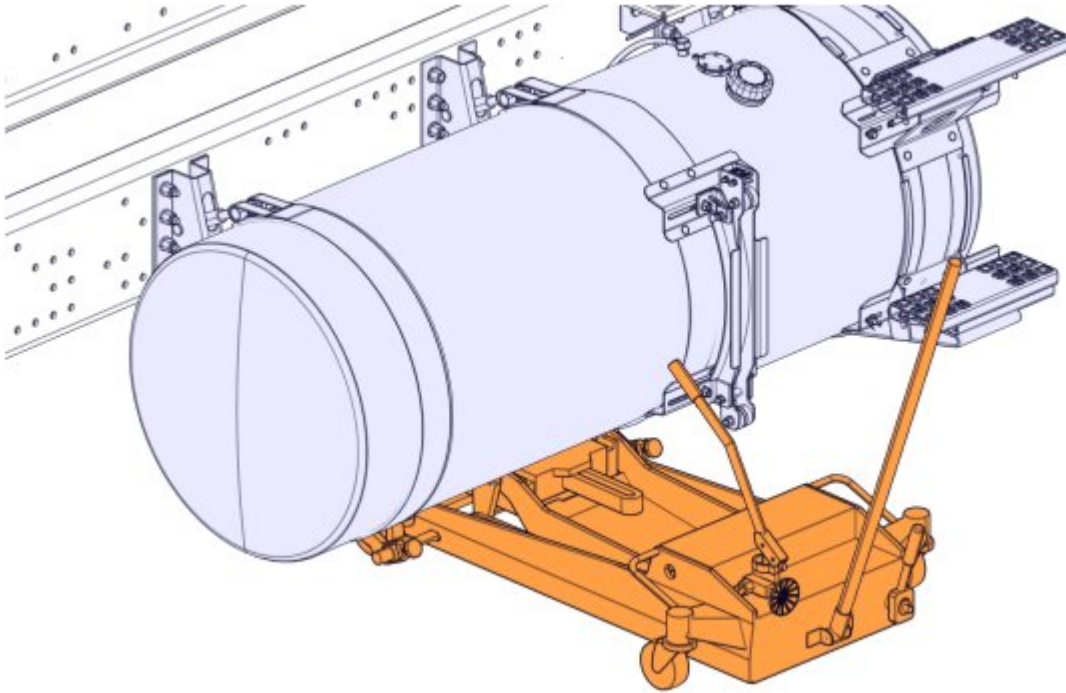
26	Install the bracket assembly.
----	-------------------------------

27	Install the nuts.
----	-------------------

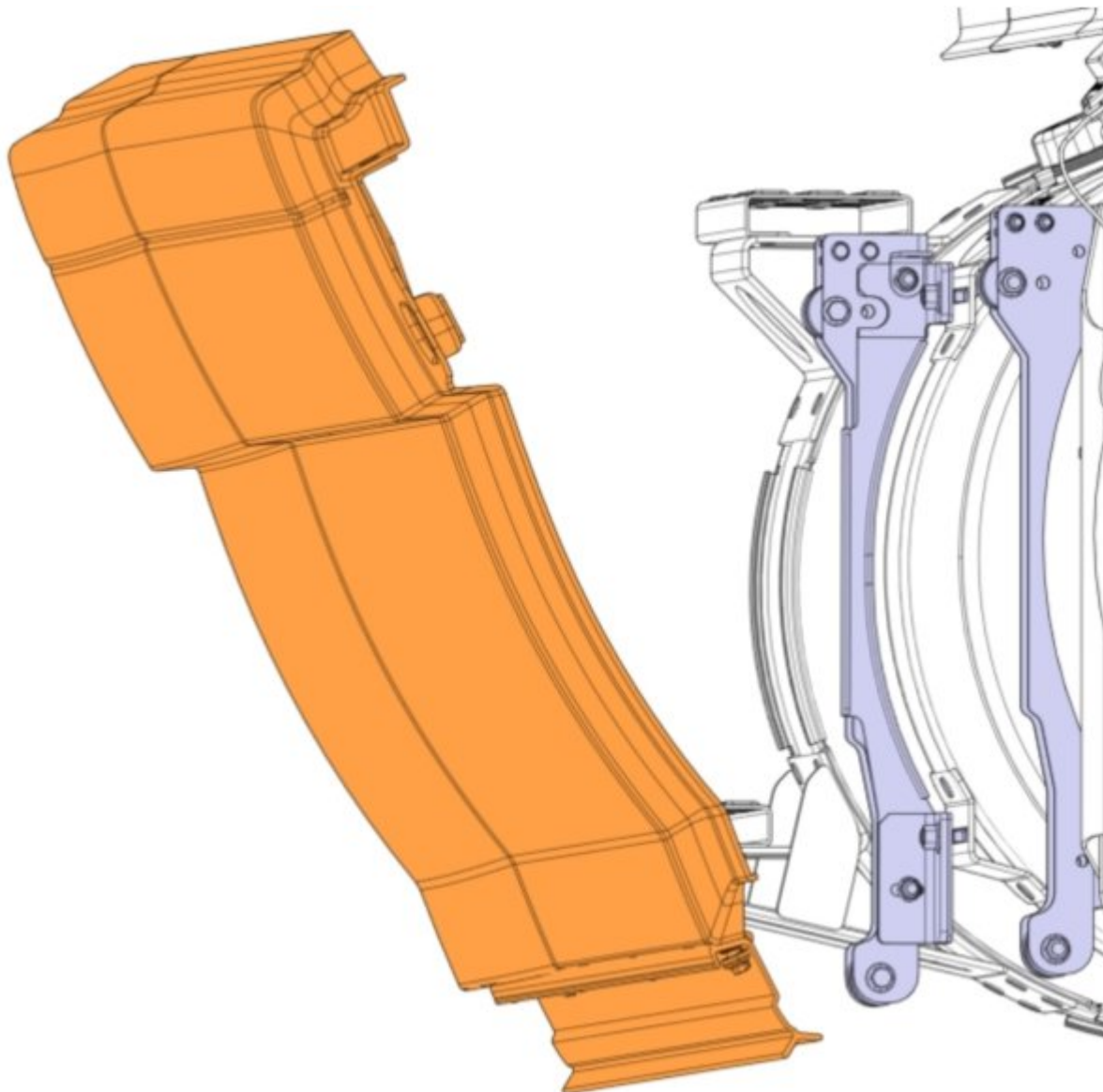


28	Remove the tool.
----	------------------

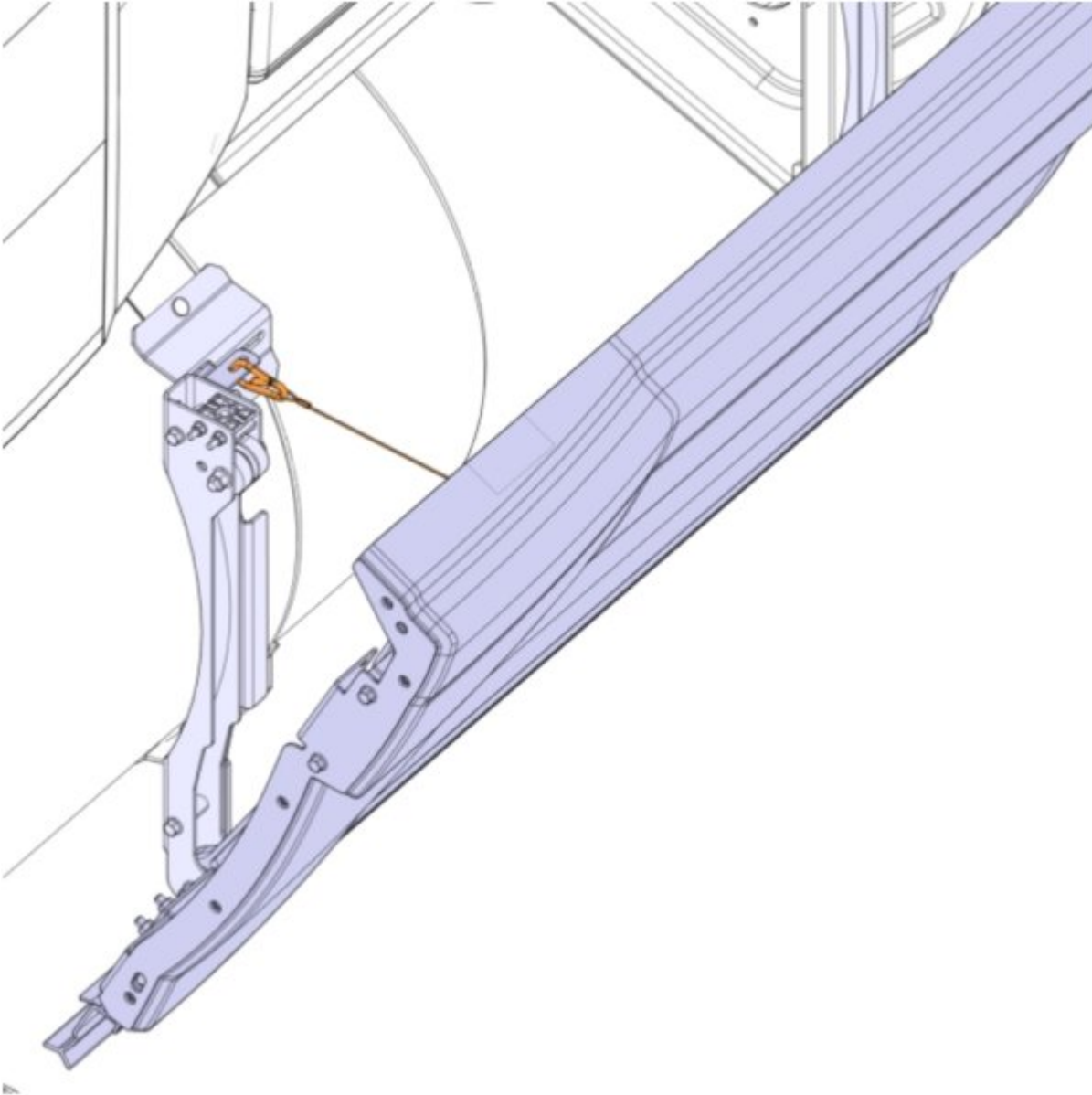




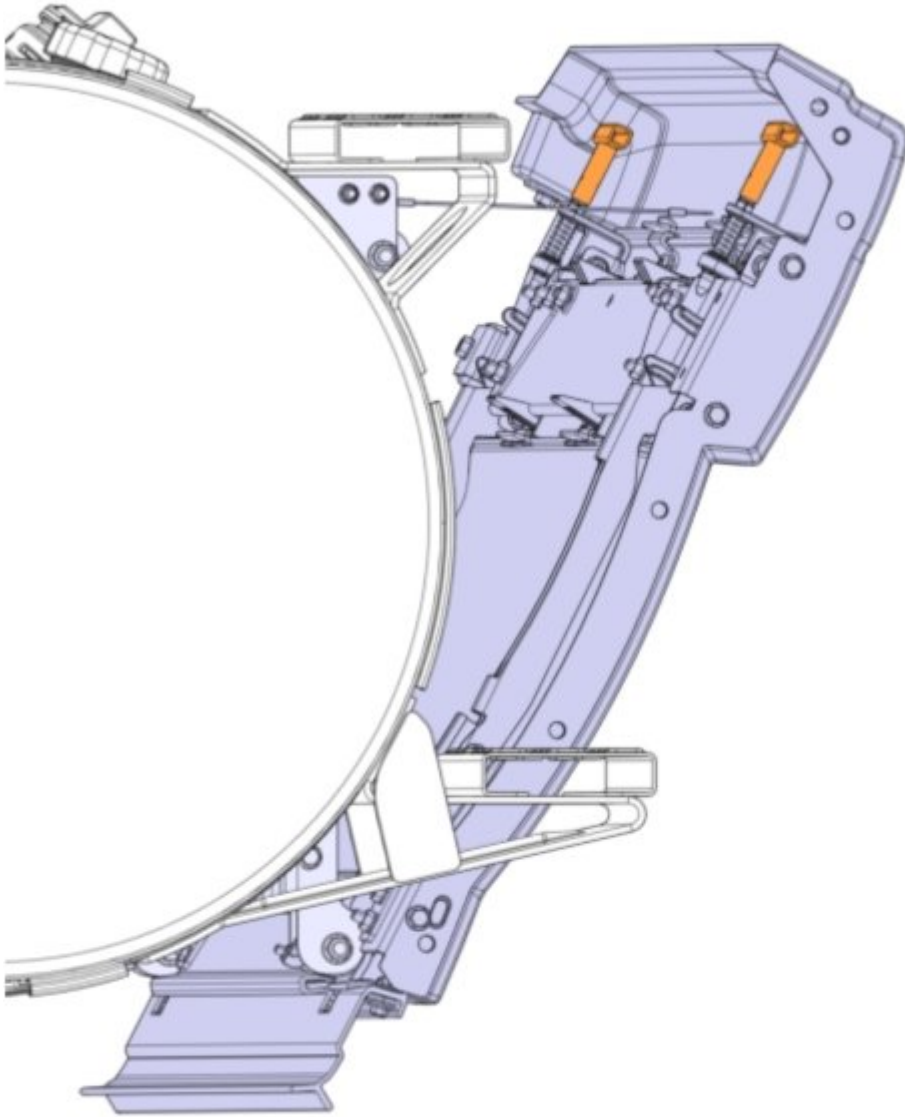
29	Install the fairing.
----	----------------------



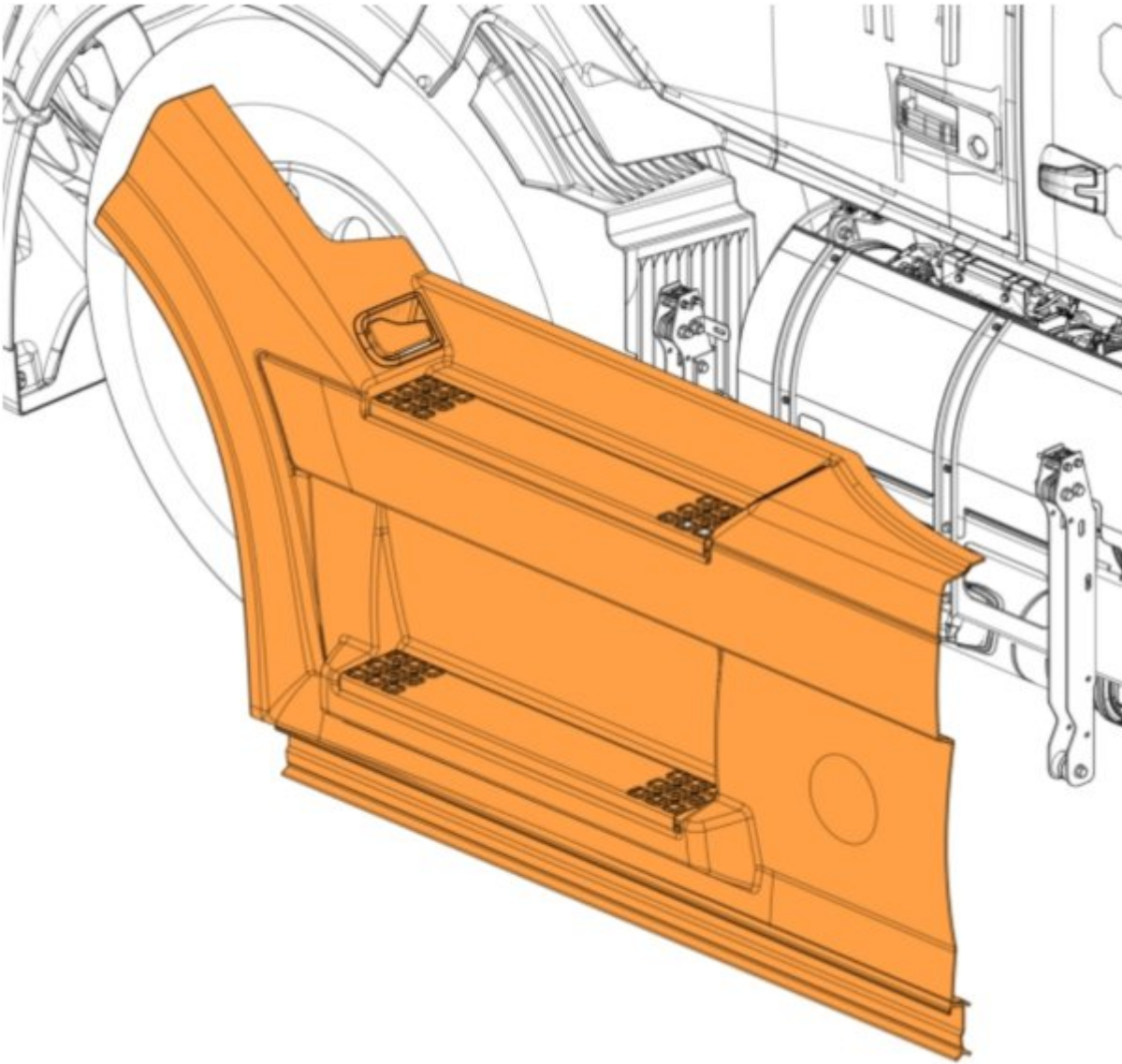
30	Connect the strap.
----	--------------------



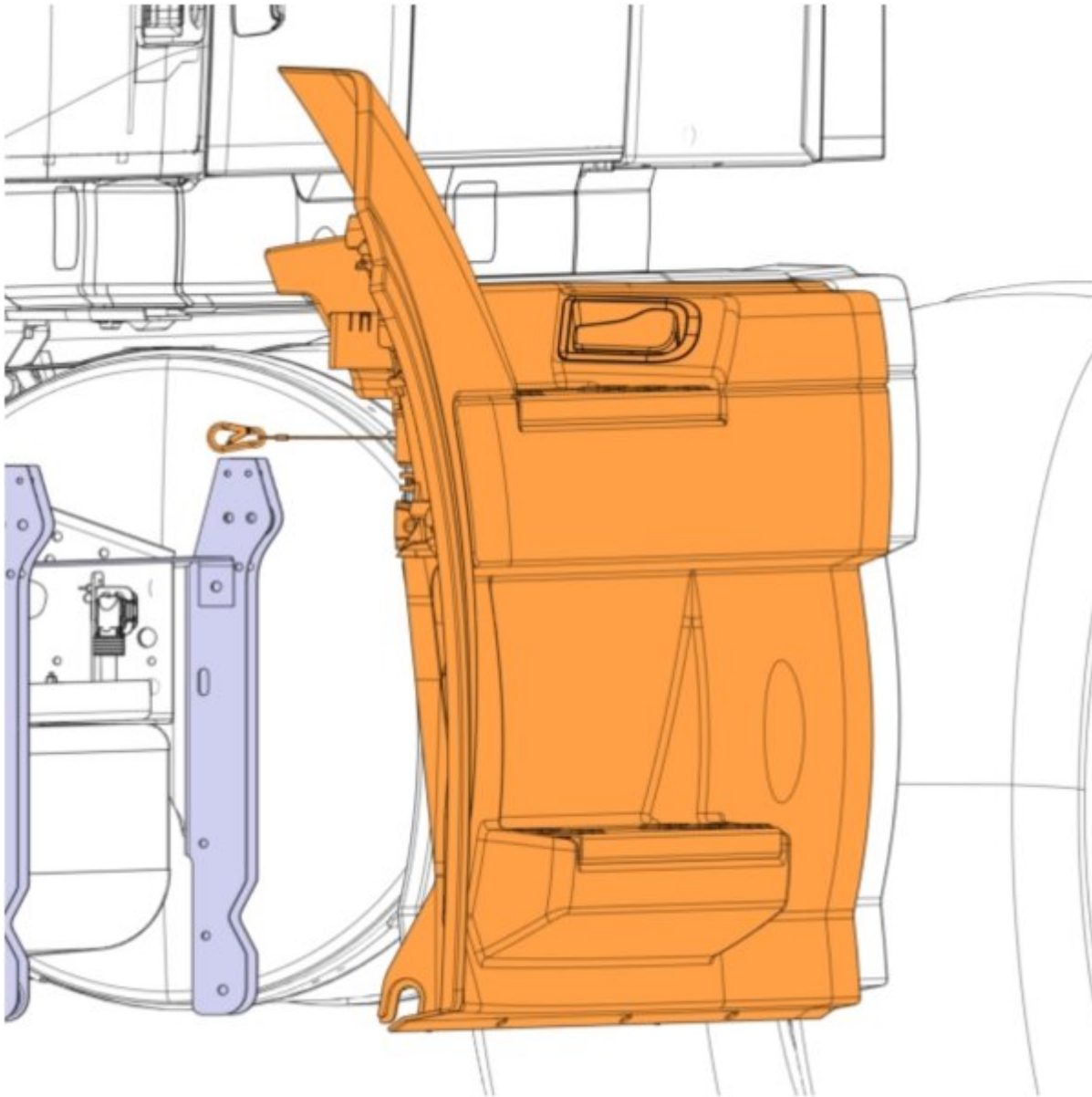
31	Close and latch the fairing.
----	------------------------------



32	Install the fairing.
----	----------------------

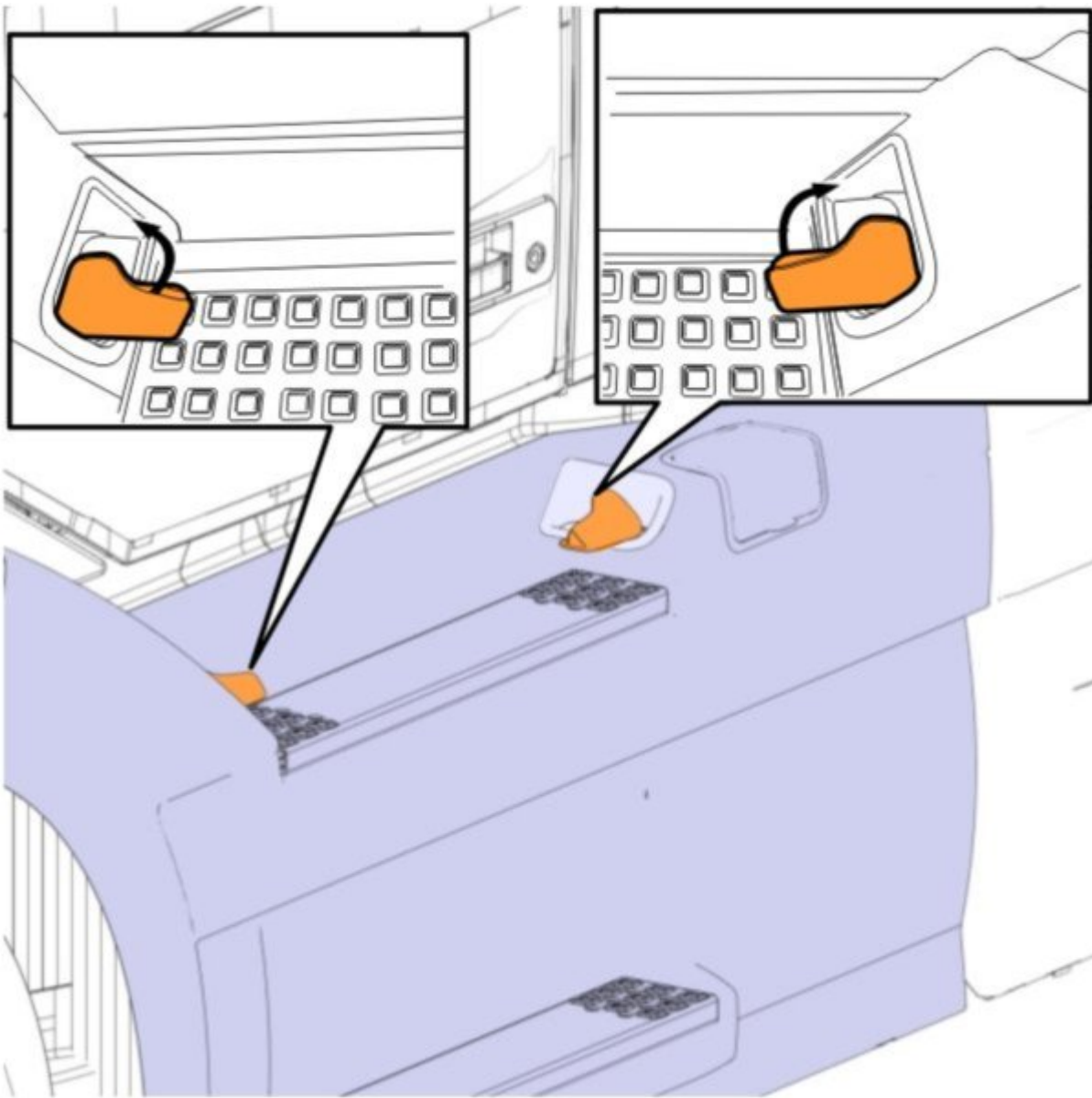


33	Connect the tether.
----	---------------------

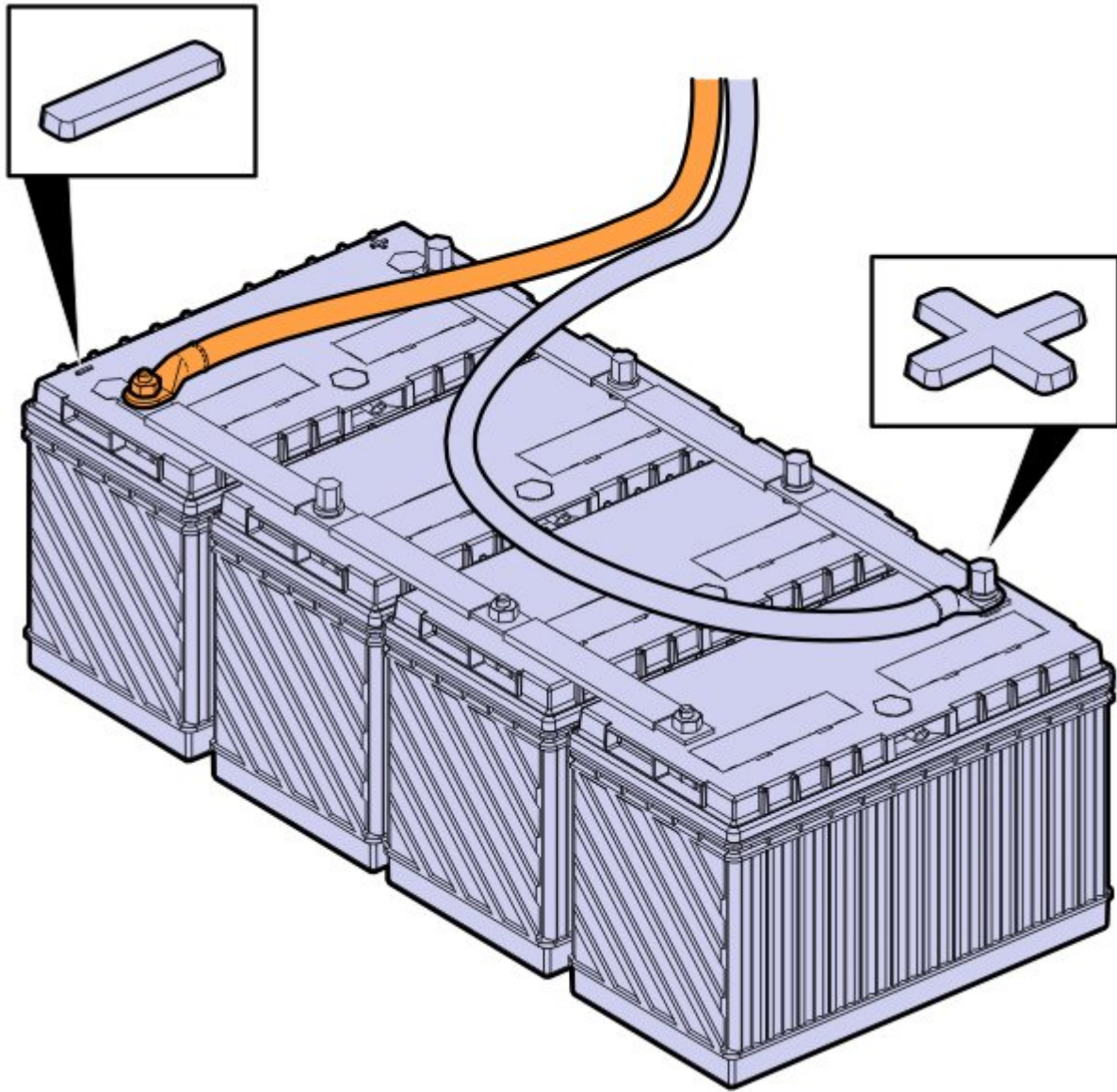


34	Latch the fairing.
----	--------------------





35	Connect the cable to the negative terminal.
----	---



36	Remove the wheel chocks.
----	--------------------------

