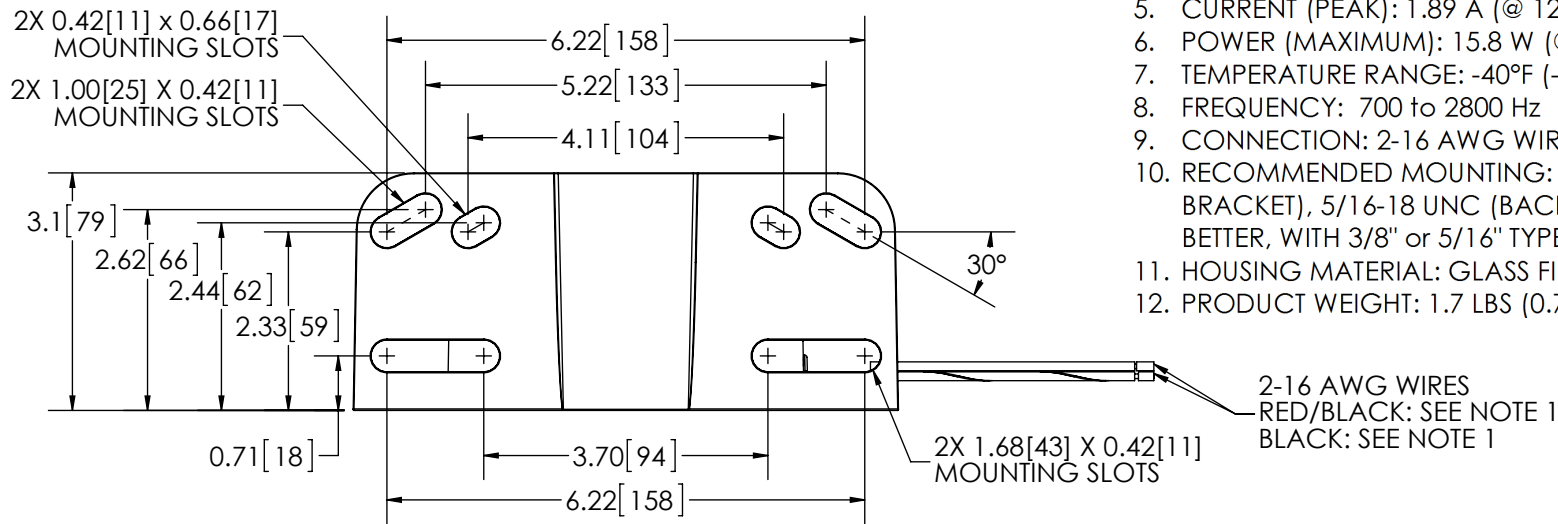
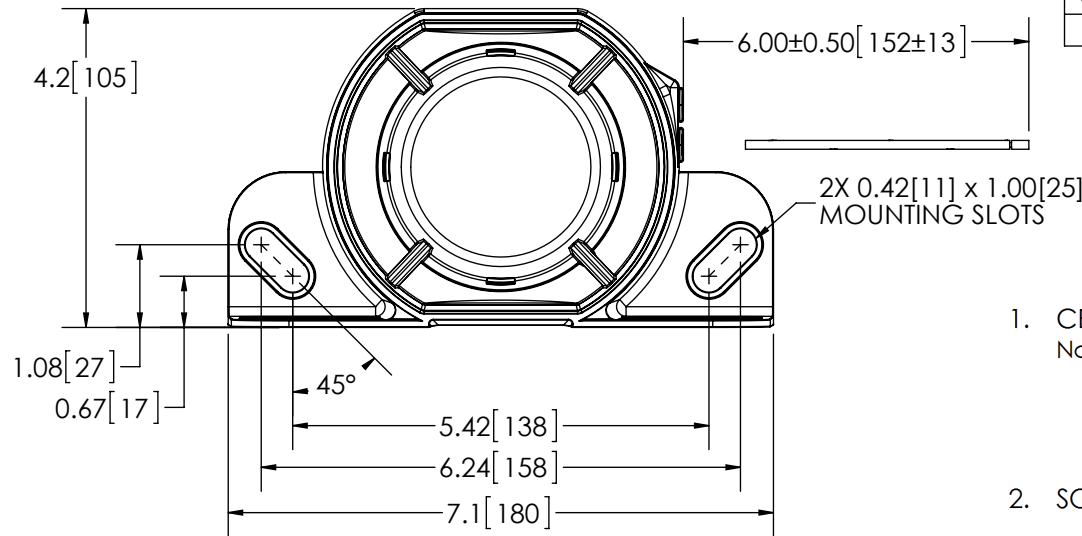


| REVISION HISTORY | | |
|------------------|--------------------------------|------------|
| REV. | DESCRIPTION | DATE |
| 01 | PRELIMINARY RELEASE PER P10017 | 2013-02-08 |
| 02 | REVISED PER P10017 | 2013-02-26 |
| A | INITIAL RELEASE PER P10017 | 2013-03-15 |



SPECIFICATIONS

- CERTIFICATIONS:** CE; e; PENDING
Note: Unique components, accessories, and hardware kits are not typically included in the Product Certification Test Protocols. Unless otherwise Specified, the Product Certifications referred to herein are predicated upon the base product model configuration.
- SOUND PRESSURE LEVEL:** 112 ± 4 dB (A) @ 1.2m (4ft)
97 ± 4 dB (A) @ 1.2m (4ft)
- VOLTAGE (NOMINAL):** 12 to 36 VDC
- VOLTAGE (EXTREME):** 9.0 to 42.0 VDC
- CURRENT (PEAK):** 1.89 A (@ 12 VDC NOMINAL)
- POWER (MAXIMUM):** 15.8 W (@ 12 VDC NOMINAL)
- TEMPERATURE RANGE:** -40°F (-40°C) TO 185°F (85°C)
- FREQUENCY:** 700 to 2800 Hz
- CONNECTION:** 2-16 AWG WIRES
- RECOMMENDED MOUNTING:** 3/8-16 UNC (BOTTOM BRACKET), 5/16-18 UNC (BACK BRACKET), GRADE 5 OR BETTER, WITH 3/8" or 5/16" TYPE A SERIES N WASHERS
- HOUSING MATERIAL:** GLASS FILLED NYLON
- PRODUCT WEIGHT:** 1.7 LBS (0.77 Kg)

- NOTES:**
- SOUND LEVEL ADJUSTMENT:**
112 dB: CONNECT RED/BLK WIRE TO POSITIVE(+)
97 dB: CONNECT BLACK WIRE TO POSITIVE(+)
 - DIMENSIONS IN INCHES[MILLIMETERS (FOR REFERENCE)]**

| SCALE 1:2.5 | | APPROVALS | DATE |
|---|---|----------------|------------|
| CAD GENERATED DRAWING DO NOT MANUALLY UPDATE. MODEL REFERENCED:01 | | DRAWN BY MDH | 2013-02-26 |
| TOLERANCES ARE IN INCHES, AND MILLIMETERS TOLERANCES ARE: | | CHECKED BND | 2013-02-28 |
| MILLIMETERS DECIMALS XX ± 1.0mm XX.X ± 0.5mm | INCHES DECIMALS X.X ± 0.1 X.XX ± 0.04 X.XXX ± 0.02 | MECH. ENG. JLA | 2013-02-26 |
| | | ELEC. ENG. JES | 2013-02-28 |
| | | TEST ENG. JRT | 2013-03-11 |
| | | SALES. DEH | 2013-03-13 |
| THIRD ANGLE PROJECTION | | | |

| | | | |
|---|----------|--|--------------------------|
| | | Electronic Controls Co. 833 West Diamond Street, Boise, ID 83705 800-635-5900 www.eccolink.com | |
| | | ALARM, BACK-UP, 97 OR 112DB, 12-36VDC, GFN | |
| CUSTOMER PART NO. | | PRODUCT SERIES: | |
| 872N | | 800 | |
| SIZE: | DWG. NO. | REV. | |
| A | 872N | A | |
| Electronically Controlled Use Latest Copy | | SHEET 1 OF 1 | Date Created: 2013-02-08 |

THIS DRAWING AND THE DESIGN IT DISCLOSES ARE THE PRIVATE PROPERTY OF ECCO AND IS ISSUED IN CONFIDENCE FOR ENGINEERING INFORMATION ONLY. THE DRAWING AND / OR DESIGN MAY NOT BE USED, COPIED, REPRODUCED, OR OTHERWISE DISCLOSED IN PART OR AS A WHOLE TO OUTSIDERS OR USED FOR ANY OTHER PURPOSE WITHOUT THE PRIOR WRITTEN CONSENT OF ECCO. THE DRAWING IS SUBJECT TO RECALL AT ANY TIME. YOUR POSSESSION OF THIS DOCUMENT CONSTITUTES ACCEPTANCE OF THESE TERMS. © 2013 ECCO