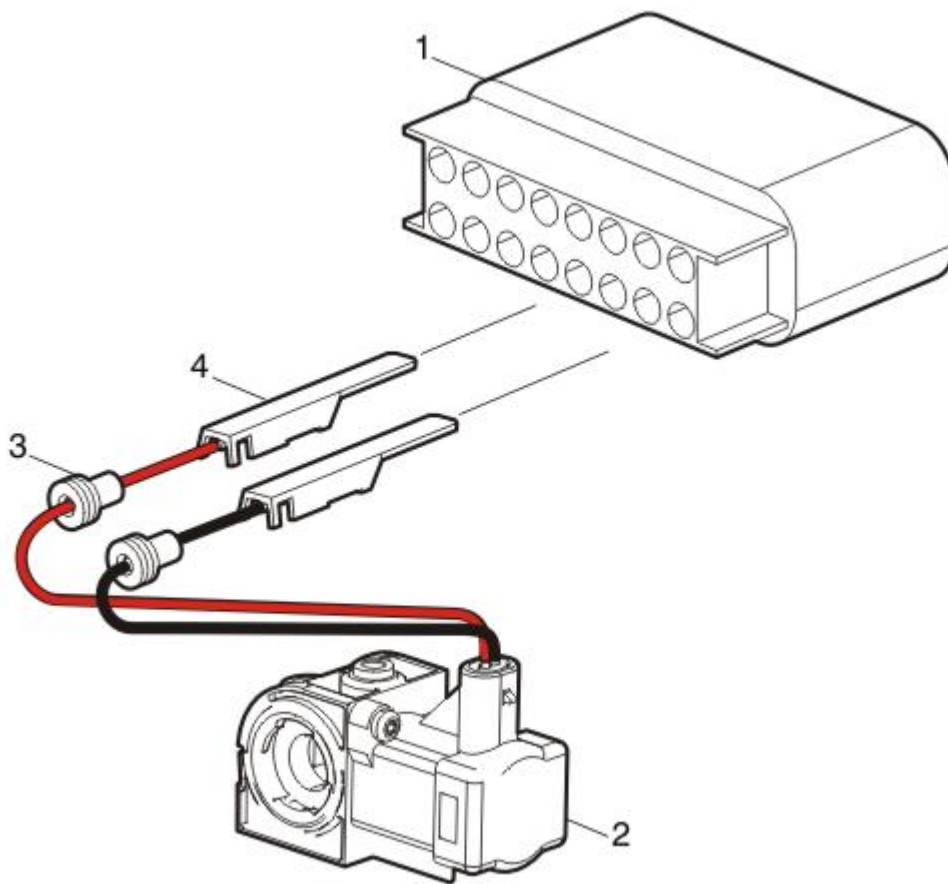


Chassis ID	Path
N 438231	563/Bulletins/Information//TPI 563-004, Solenoid Replacement
Model	Identity
VN	123352413
Publish date	ID/Operation

TPI 563-004, Solenoid Replacement

When replacing the solenoid, properly remove/install the wires:



1. Connector
2. Air Solenoid
3. Seal
4. Pin

- The solenoid comes with an unremovable pigtail attached (with one black wire and one red wire) with the seals already installed.
- Parts (3) and (4) are attached to the end of each wire in the pigtail that comes on the solenoid.

Note: Be careful not to cross up the wires (black replaces black, red replaces red).

