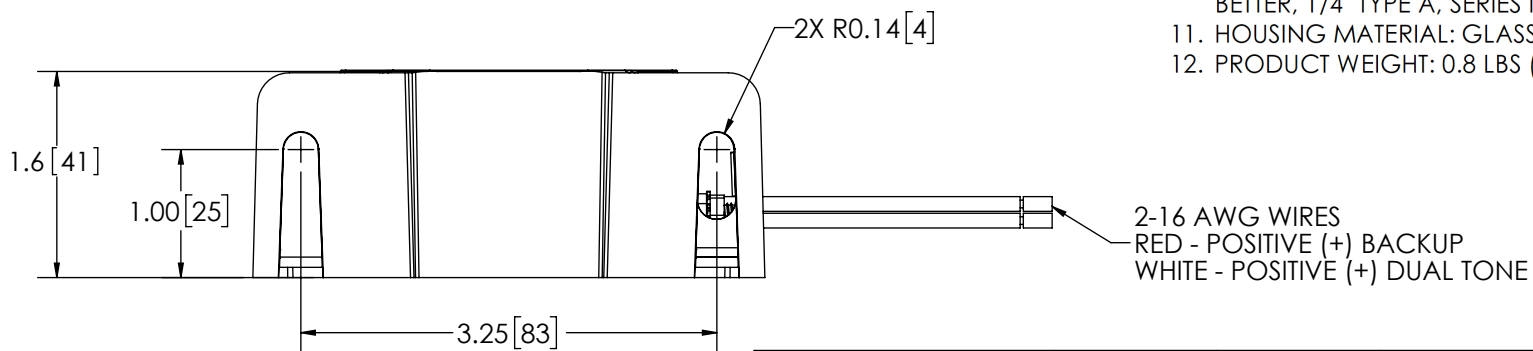
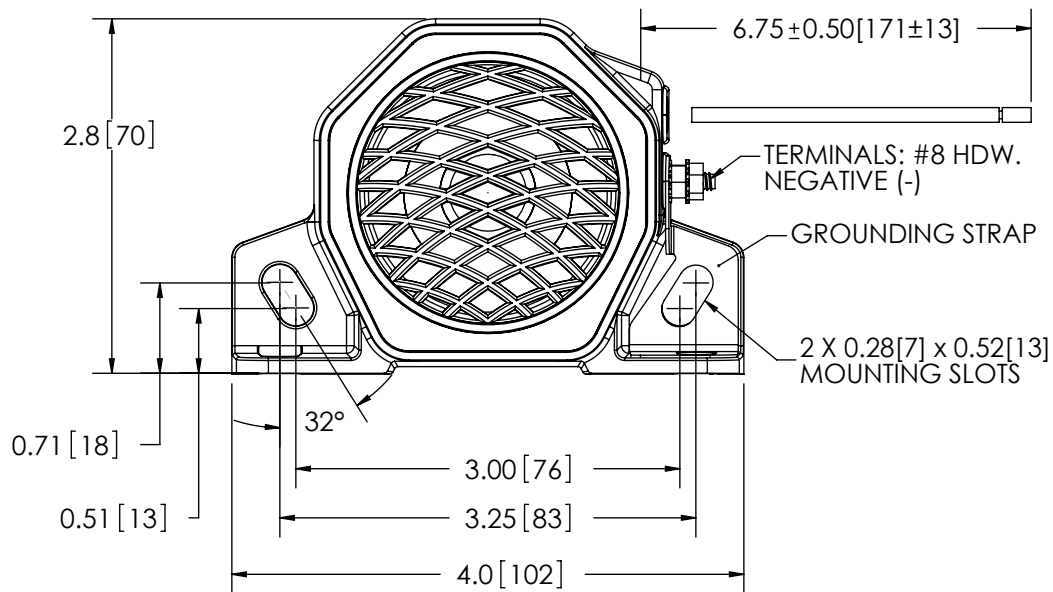


REVISION HISTORY		
REV.	DESCRIPTION	DATE
E	CHGD. HOUSING & REVISED PER P3# 03026 & CR# 1173	2003-09-05
F	REVISE PER EP0024	2017-11-27
G	REVISED PER ES0017	2019-10-09



## SPECIFICATIONS

- CERTIFICATIONS: **CE**; ECE R10; SAE J994 (AUG 1993), TYPE F - 102 dB(A); IP-64D  
 Note: Unique components, accessories, and hardware kits are not typically included in the Product Certification Test Protocols. Unless otherwise Specified, the Product Certifications referred to herein are predicated upon the base product model configuration.
- SOUND PRESSURE LEVEL: (BU): 102 ± 4 dB (A) @ 1.2m (4ft)  
 (DT): 102 ± 4 dB (A) @ 1.2m (4ft)
- VOLTAGE (NOMINAL): 12-24 VDC
- VOLTAGE (EXTREME): 9-36.4 VDC
- CURRENT (PEAK): 0.84 A (@ 12 VDC NOMINAL)
- POWER (MAXIMUM): 11.7 W (@ 12 VDC NOMINAL)
- TEMPERATURE RANGE: -40°F (-40°C) TO 185°F (85°C)
- FREQUENCY: 700 to 2800 Hz
- CONNECTION: 2-16 AWG WIRES & 8 - 32 UNI STUD CONNECTION
- RECOMMENDED MOUNTING: 1/4 - 20 UNC, GRADE 5 OR BETTER, 1/4" TYPE A, SERIES N OR W WASHER
- HOUSING MATERIAL: GLASS FILLED NYLON
- PRODUCT WEIGHT: 0.8 LBS (0.36 Kg)

NOTES:  
 1. DIMENSIONS IN INCHES [MILLIMETERS (FOR REFERENCE)]

SCALE 1:1.5		APPROVALS	DATE
CAD GENERATED DRAWING DO NOT MANUALLY UPDATE. MODEL REFERENCED: E		DRAWN BY JDT	2019-10-08
		CHECKED ABB	2019-10-09
TOLERANCES ARE IN INCHES, AND MILLIMETERS TOLERANCES UNLESS OTHERWISE STATED ARE:		MECH. ENG. JLA	2019-10-08
		ELEC. ENG. SPO	2019-10-08
MILLIMETERS DECIMALS XX. ± 1.0mm XX.X ± 0.5mm		TEST ENG. RM	2019-10-09
		SALES. DMV	2019-10-09
INCHES DECIMALS X.X ± 0.1 X.XX ± 0.04 X.XXX ± 0.02		ANGLES ± 0.5° FRACTIONS ± 1/64	
THIRD ANGLE PROJECTION			

 <b>ECCO</b> ® <a href="http://www.eccolink.com">www.eccolink.com</a> Americas (800) 635-5900   Europe +44 (0)113 237 5340   Asia Pacific +61 (0)3 63322444		PRODUCT SERIES: <b>WARNING</b>	
		ALARM, DUAL FUNCTION, 102DBA, 12-24VDC	
CUSTOMER PART NO. <b>DF532</b>		DATE CREATED: 1995-08-31	
SIZE: A	DWG. NO. DF532	REV. G	
Electronically Controlled Use Latest Copy		SHEET 1 OF 1 Project: Date Created: 1995-08-31	

THIS DRAWING AND THE DESIGN IT DISCLOSES ARE THE PRIVATE PROPERTY OF ELECTRONIC CONTROLS CO. AND IS ISSUED IN CONFIDENCE FOR ENGINEERING INFORMATION ONLY. THE DRAWING AND / OR DESIGN MAY NOT BE USED, COPIED, REPRODUCED, OR OTHERWISE DISCLOSED IN PART OR AS A WHOLE TO OUTSIDERS OR USED FOR ANY OTHER PURPOSE WITHOUT THE PRIOR WRITTEN CONSENT OF ELECTRONIC CONTROLS CO. THE DRAWING IS SUBJECT TO RECALL AT ANY TIME. YOUR POSSESSION OF THIS DOCUMENT CONSTITUTES ACCEPTANCE OF THESE TERMS. © 1995 ELECTRONIC CONTROLS CO.